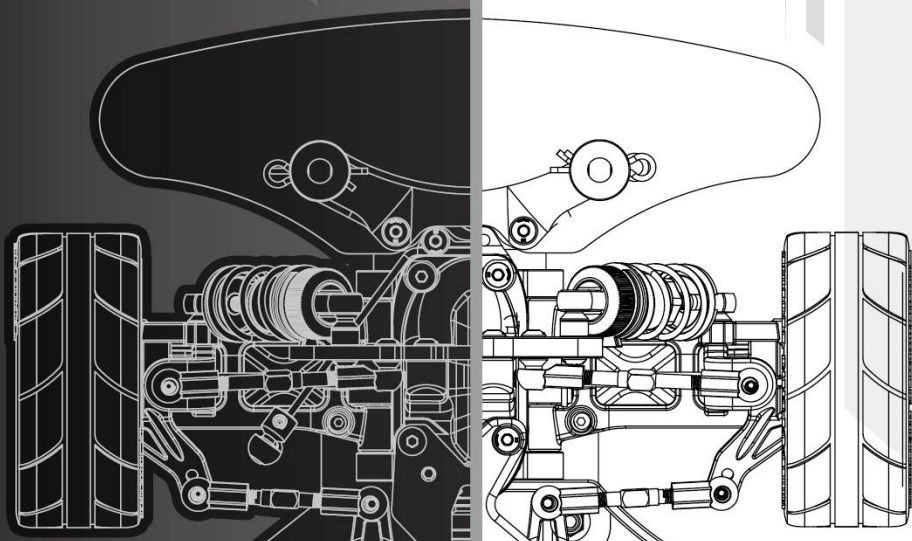


CARTEN®



1/10 EP RC TOURING CAR

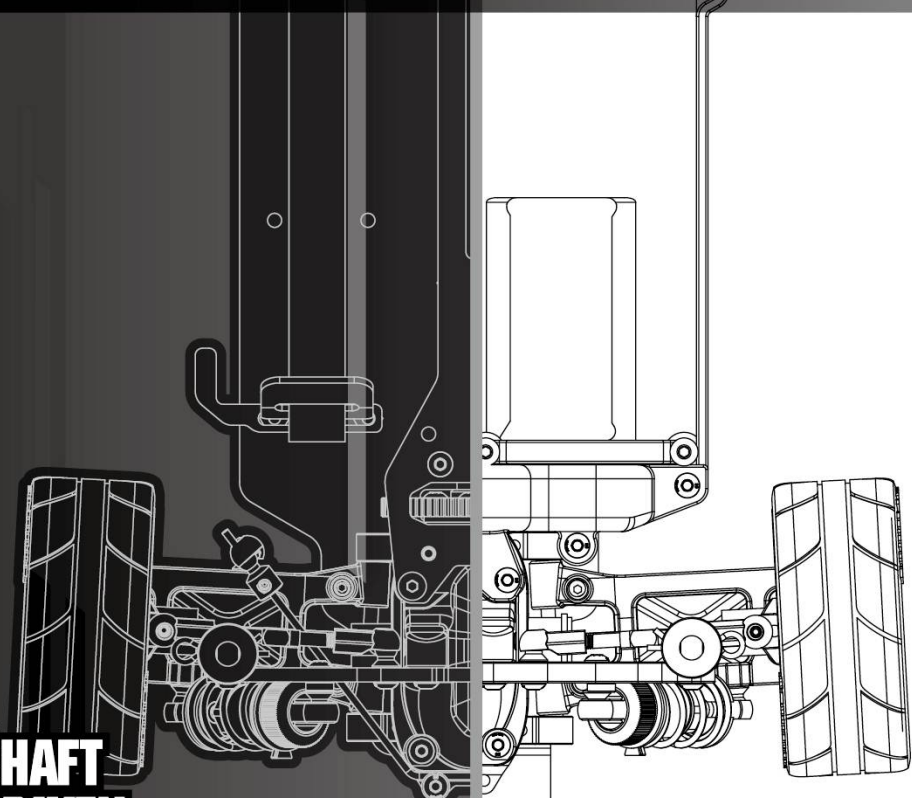
T410R

Revolution

T410

Standar

INSTRUCTION MANUAL



4WD

SHAFT
DRIVEN



SHAFT DRIVEN



ELECTRICAL POWER

WWW.CARTEN-RC.COM

CAUTION

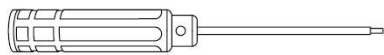
T410R / T410

Notice: Thank you for choosing the carten T410R T410

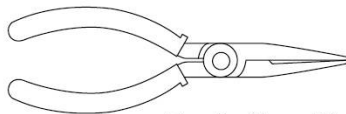
The following items are needed for completion of the KIT, They are not included with this kit (unless noted), and should be obtained from your local hobby shop.

Be sure to read the instructions completely prior to assembly.

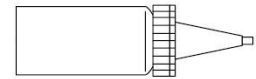
Tools needed To Assemble



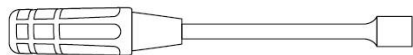
Hex Wrenches(1.5mm / 2.0mm / 2.5mm)



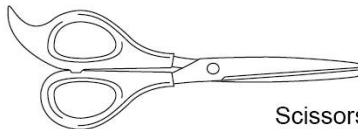
Needle Nose Pliers



Instant Glue



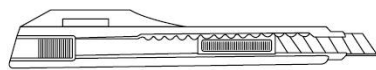
Box Wrench(5.5mm / 7mm / 10mm)



Scissors



Screw (Sement)



Hobby Knife

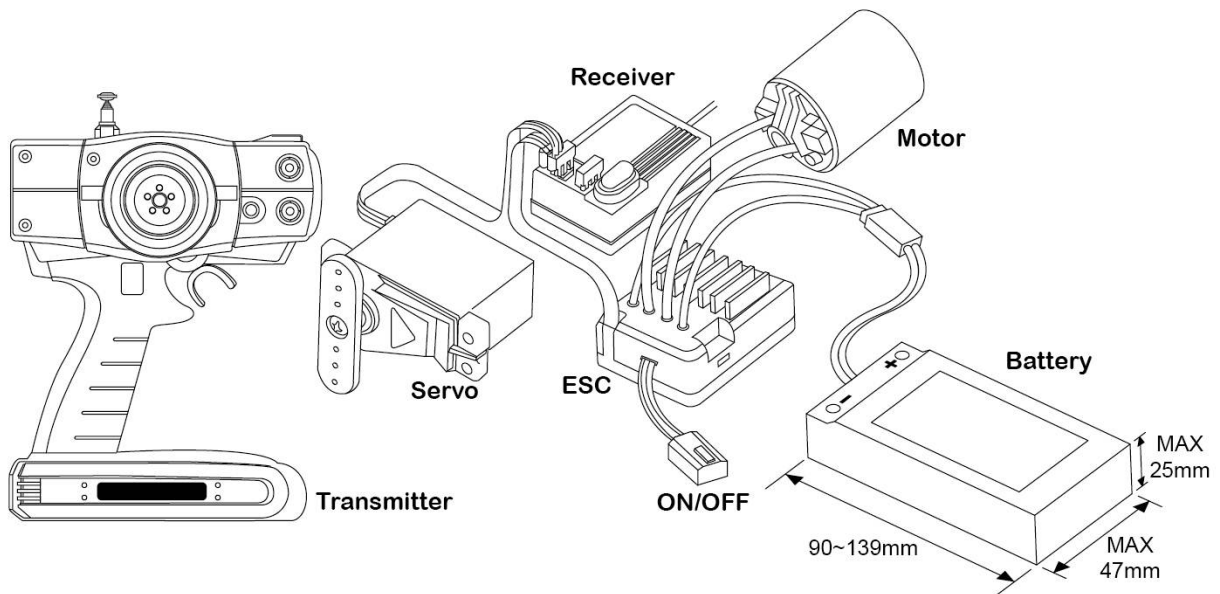


Glass or Vinyl Tape



Rubber Glue

Items Needed To Control Car



T410R Revolution

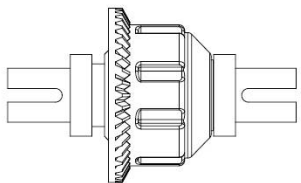
CARTEN T410R 1/10 EP TOURING CAR

Specification

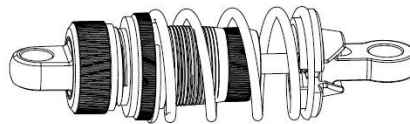
Drivetrain	Shaft Drive 4WD
Track Width	190 mm
Wheelbase	258 mm
Final Gear Ratio	2.47
Gear Ratio	5.74
Tire Diameter	65 mm

Accessories

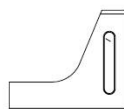
Full Bearing	Aluminum Spur Gear Hub
Stell CVD Drive Shaft	Aluminum 12mm Hex Hub
Carbon Fiber Chassis, Upper Deck, Shock Tower	Aluminum Shocks
Aluminum Motor Mount	Metal Gear Differential
Aluminum Center Drive Shaft	Full Turnbuckle



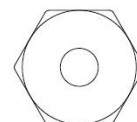
Metal Gear Diff



Oil Shock



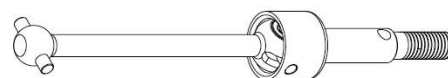
Servo Mount Set



Hex Hub



Turnbuckle



CVD Drive Shaft

T410 Standar

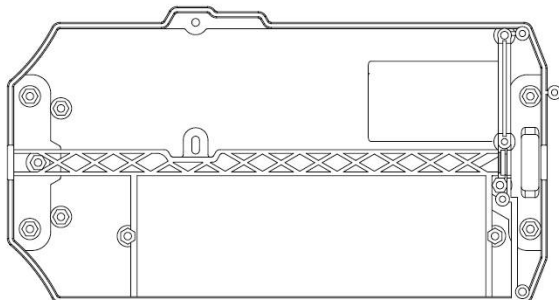
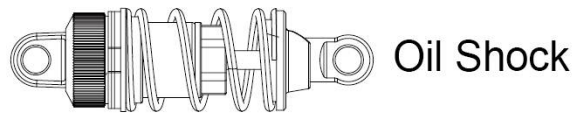
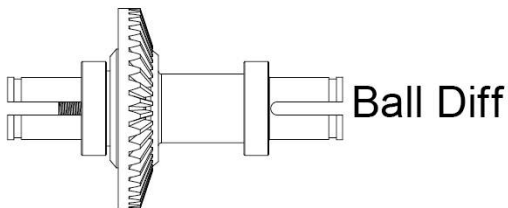
CARTEN T410 1/10 EP TOURING CAR

Specification

Drivetrain	Shaft Drive 4WD
Track Width	190 mm
Wheelbase	258 mm
Final Gear Ratio	2.53
Gear Ratio	6.27
Tire Diameter	65 mm

Accessories





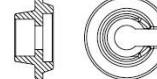


Full Bearing	Aluminum Spur Gear Hub
Stell CVD Drive Shaft (Front only)	Ball Differential
Aluminum Motor Mount	Full Turnbuckle
Aluminum Center Drive Shaft	

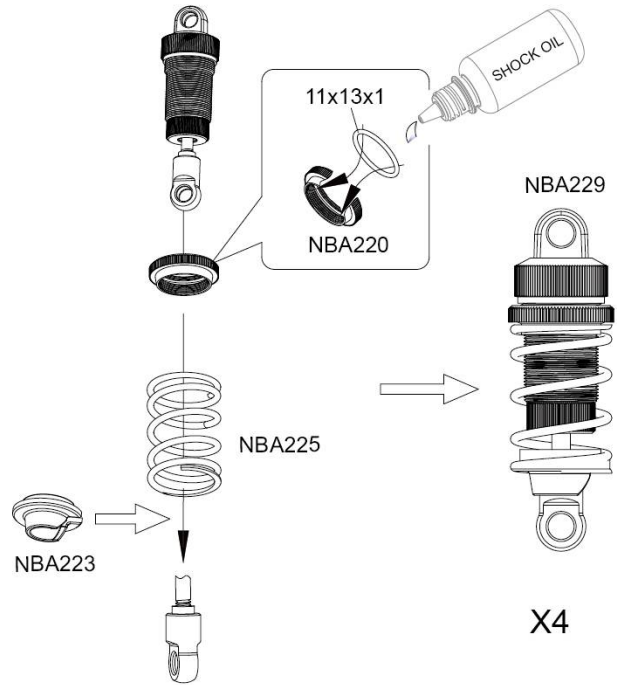
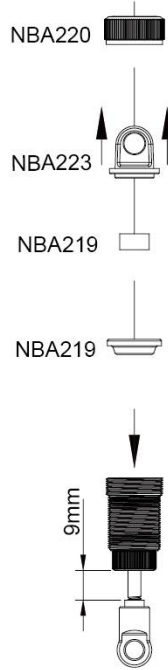




T410R

3

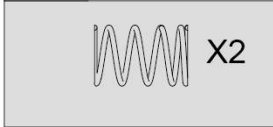
-  X1
NBA220
-  X1
NBA220
-  X1
NBA219
11×13×1mm
-  X1
NBA223
-  X1
NBA223
-  X1
NBA219
-  X1
NBA219



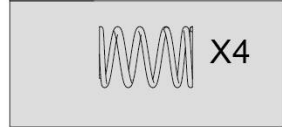
NBA225 Shock spring (1.2X22mm)
Blue-Hard




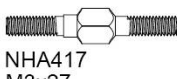
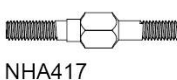
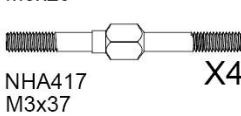
NBA226 Shock spring (1.2X22mm)
Yellow-Medium

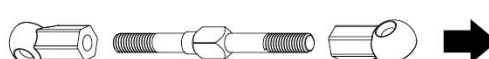
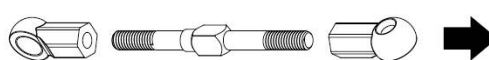


NBA227 Shock spring (1.2X22mm)
Red-Soft



4

-  X14
NBA247
-  X2
NHA417
M3x27
-  X1
NHA417
M3x29
-  X4
NHA417
M3x37



SET UP

→ 15.4mm ←

Ⓐ x2 - Steering

← 21mm →

Ⓑ x1 - Servo Saver

← 24mm →

Ⓒ x2 - Front upper

← 25.8mm →

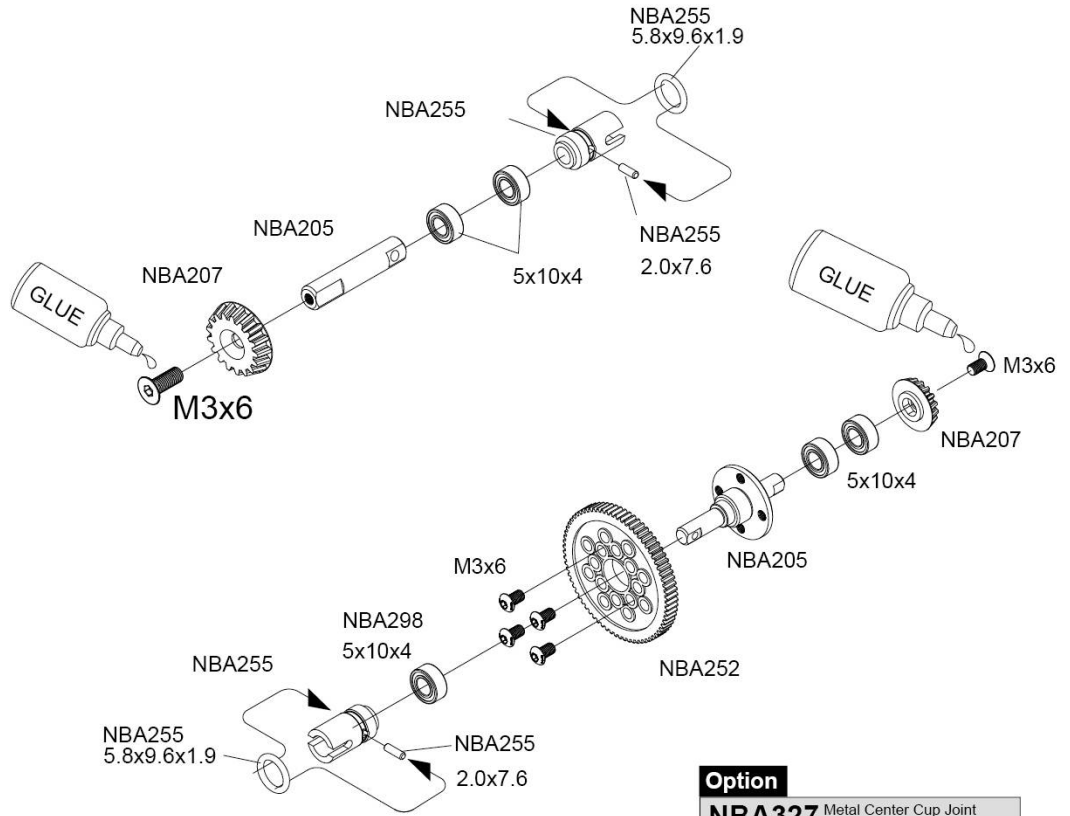
Ⓓ x2 - Rear upper



T410R

5

-  X2
NBA298
5x10x4
-  X1
NBA255
Oring 5.8x9.6x1.9
-  X1
NBA255
2x7.6
-  X1
NBA280
M3x8
-  X4
NBA281
M3x6
-  X1
NBA280
M3x8
-  X1
EZRL2380
M3x8
-  X1
NBA255
2.0x7.6
-  X1
NBA255
Oring 5.8x9.6x1.9
-  x3
NBA298
5x10x4



Option

NBA327 Metal Center Cup Joint
(For Gear Diff)



x1



x1



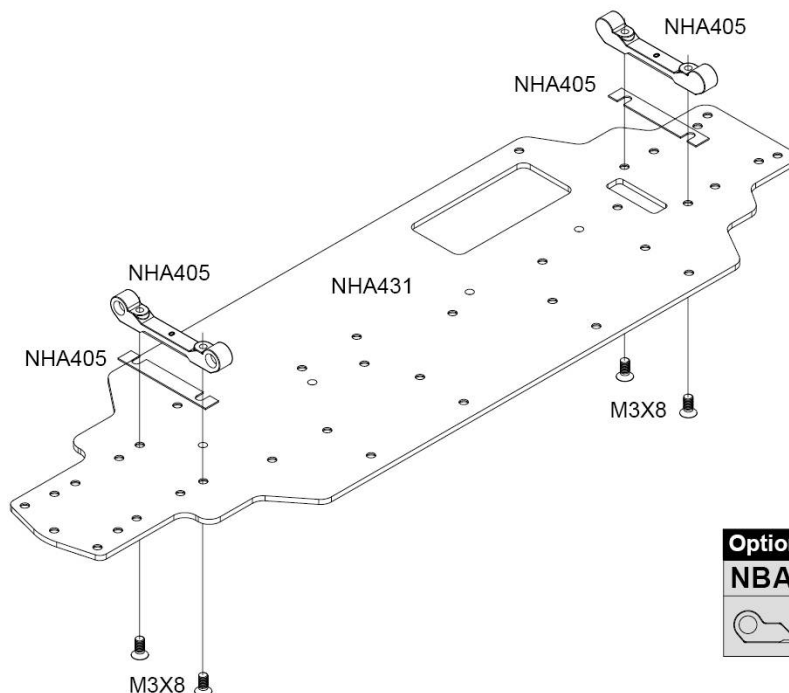
x4



x4

6

-  X4
NBA280
M3x8mm



Option

NBA314 Pivot Block (ALUMINUM) 0°



x1

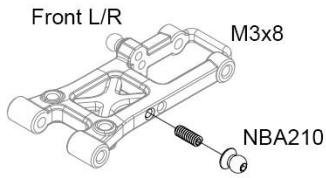
T410R

7



NBA210
3x8mm

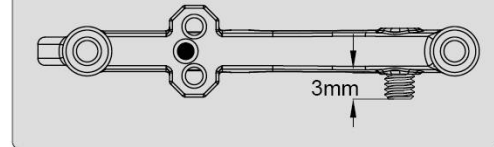
X8



NBA211

X8

Set up tip



NHA423
3X42

X4



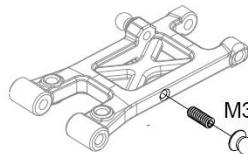
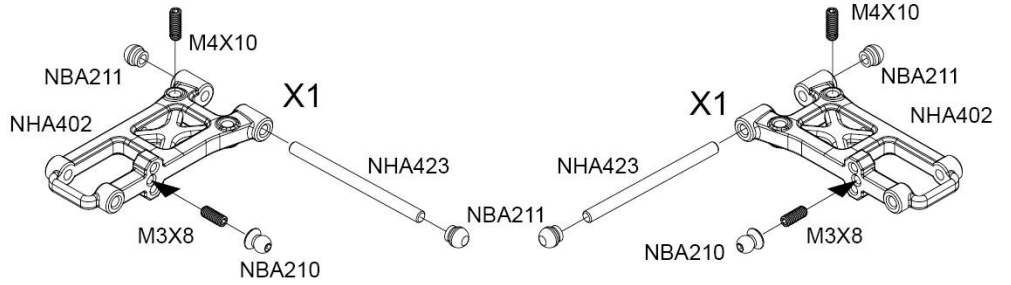
NBA289
M3x8mm

X8

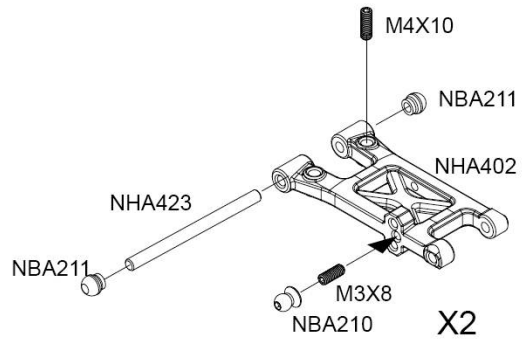


NHA430
M4x10mm

X4



Rear L/R

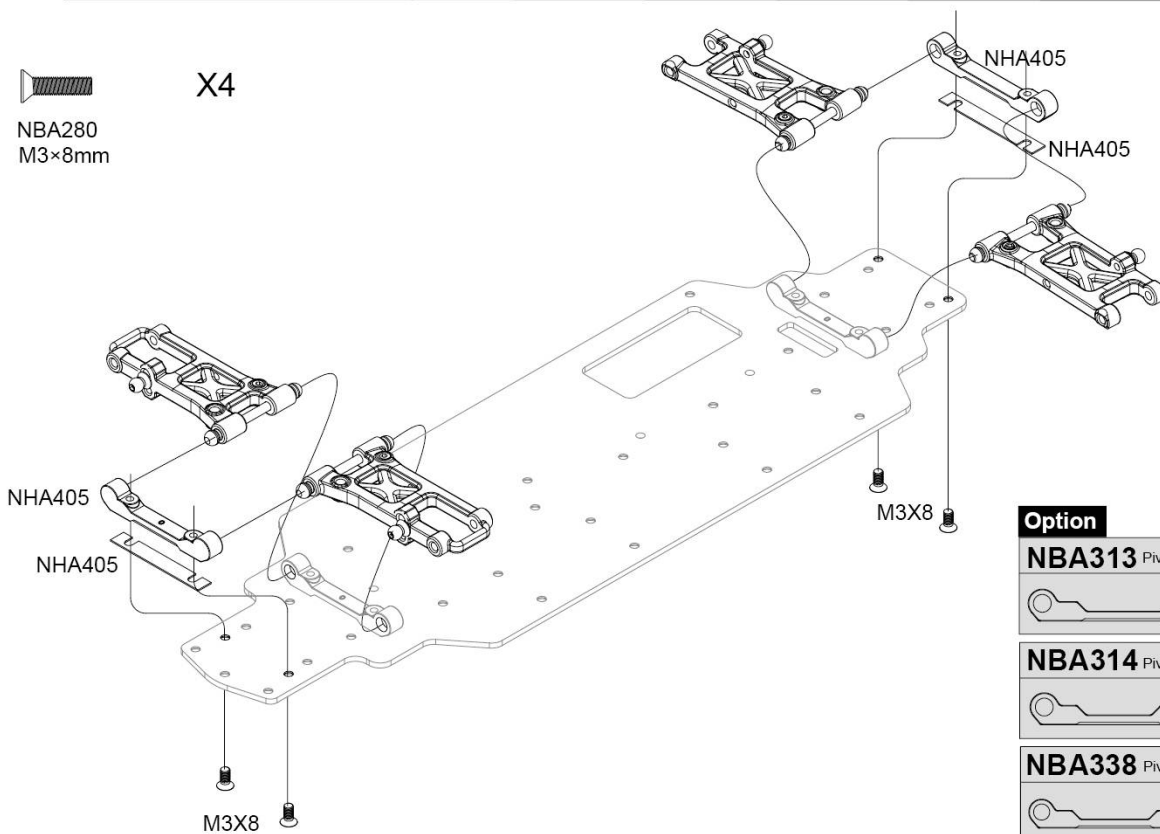


8



NBA280
M3x8mm

X4



Option

NBA313 Pivot Block (ALUMINUM) 3°



NBA314 Pivot Block (ALUMINUM) 0°



NBA338 Pivot Block (ALUMINUM) 2.0°



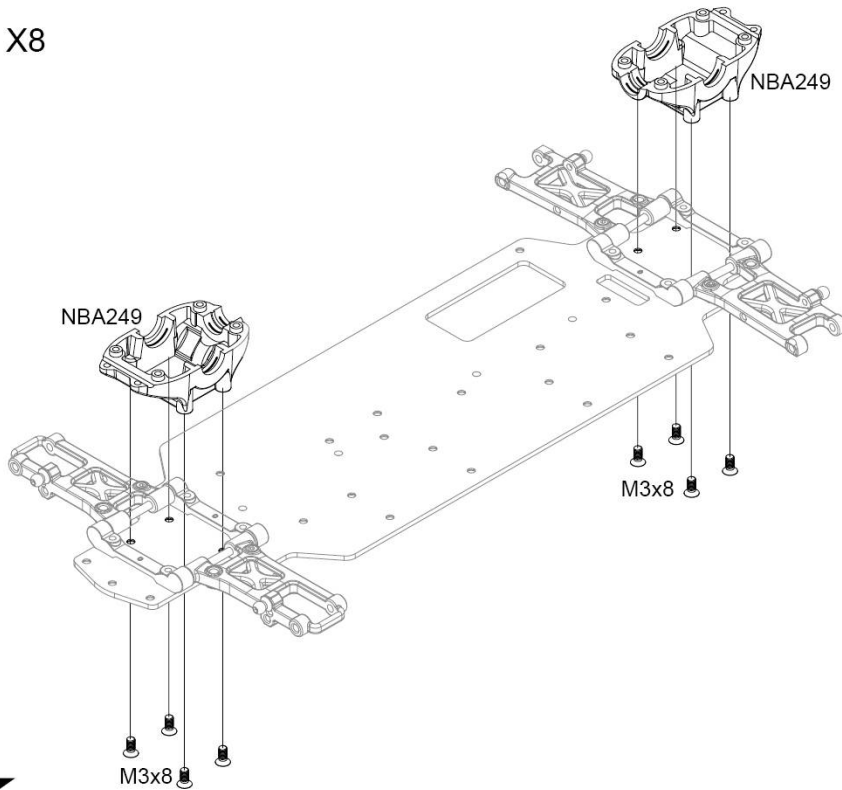


T410R

9

NBA280
M3x8

X8



10

NBA279
M3x6

X2

NBA280
M3x8

X4

NBA282
M3x8mm

X1

NBA210
3x8mm

X1

NBA281
M3x6mm

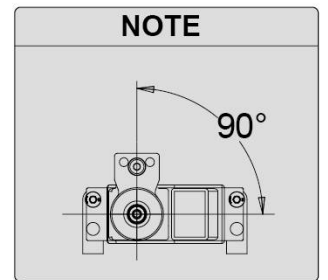
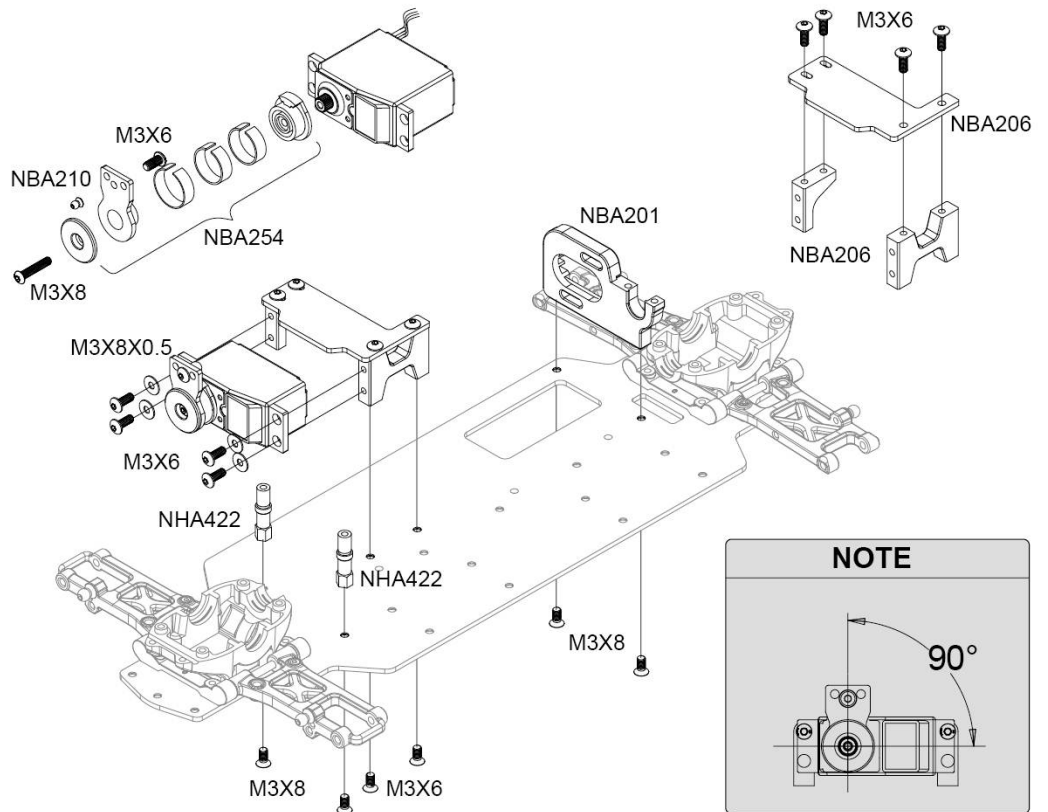
X9

NBA254
(Black)

X1

NBA254
(Silver)

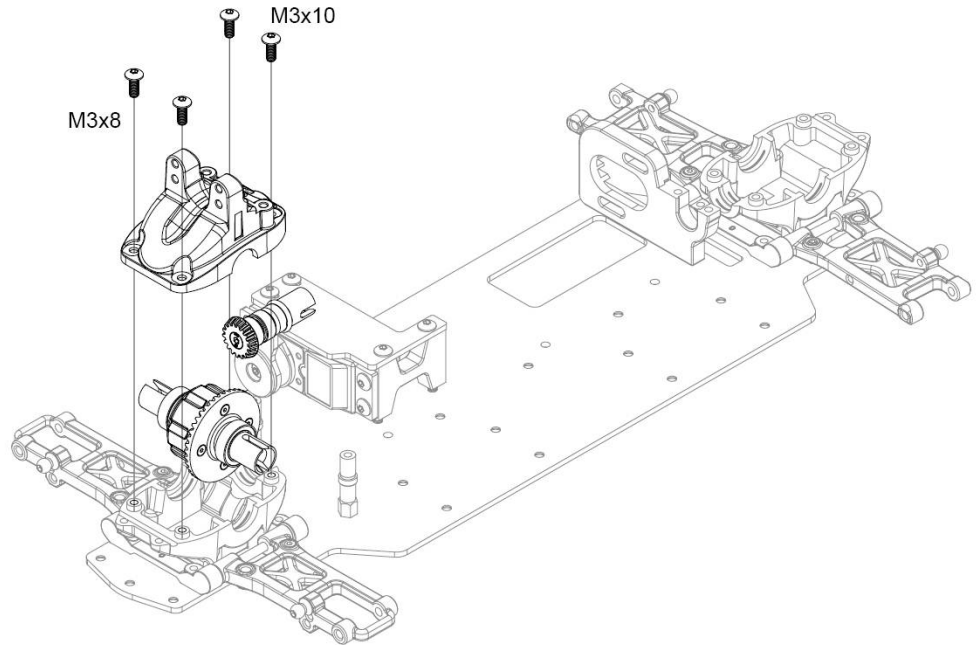
X2





1: Switch on transmitter
2: Connecting battery and turn on ESC switch

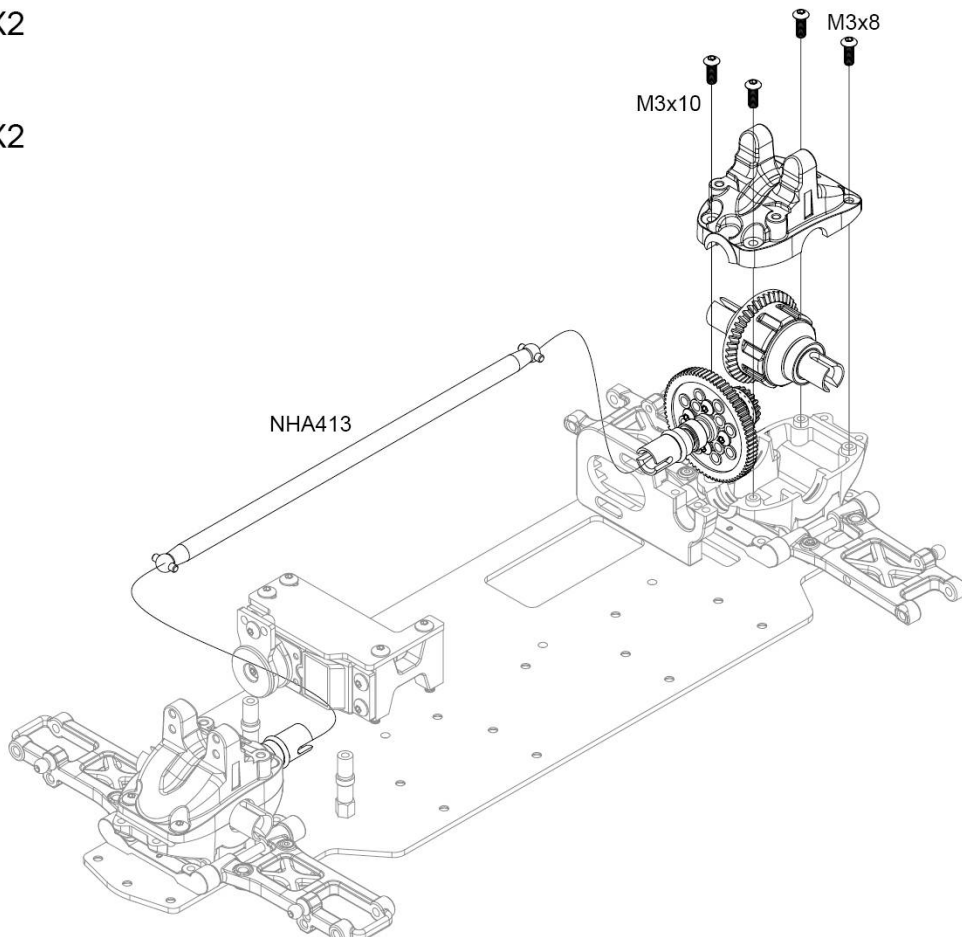
11

-  X2
NBA283
M3×10mm
-  X2
NBA282
M3×8mm



12

-  X2
NBA283
M3×10mm
-  X2
NBA282
M3×8mm





T410R

13

 X2
NBA284
M3×12mm

 X2
NBA282
M3×8mm

 X3
NBA210
3×8mm

  X2
NHA406

 X1
NBA289
M3×8mm

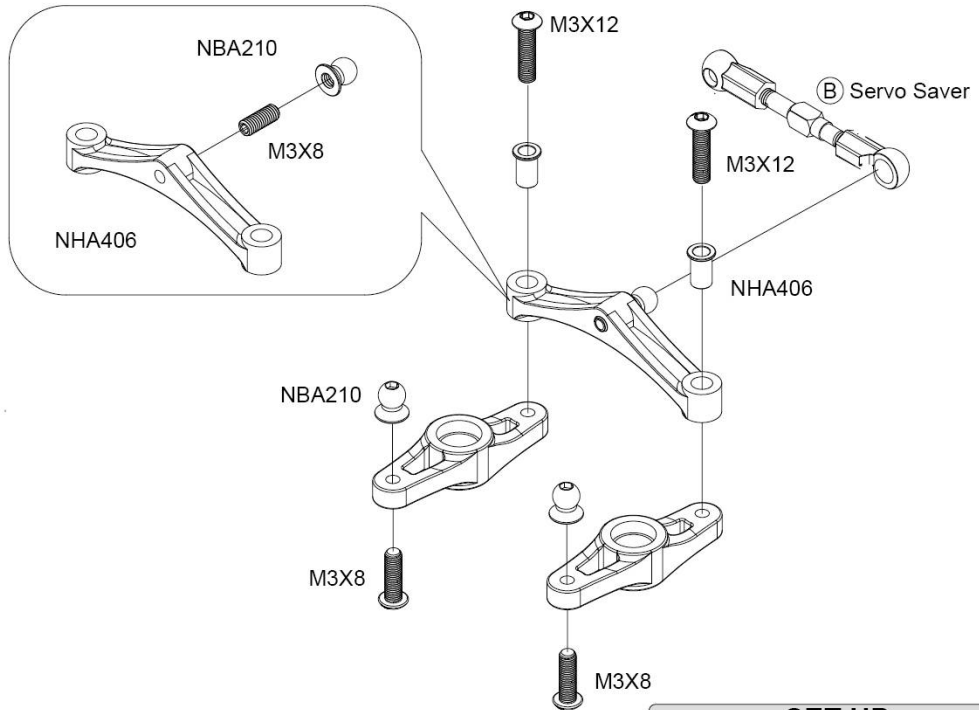
X2

X2

X3

X2

X1



SET UP

← 21mm →

(B) x1 - Servo Saver

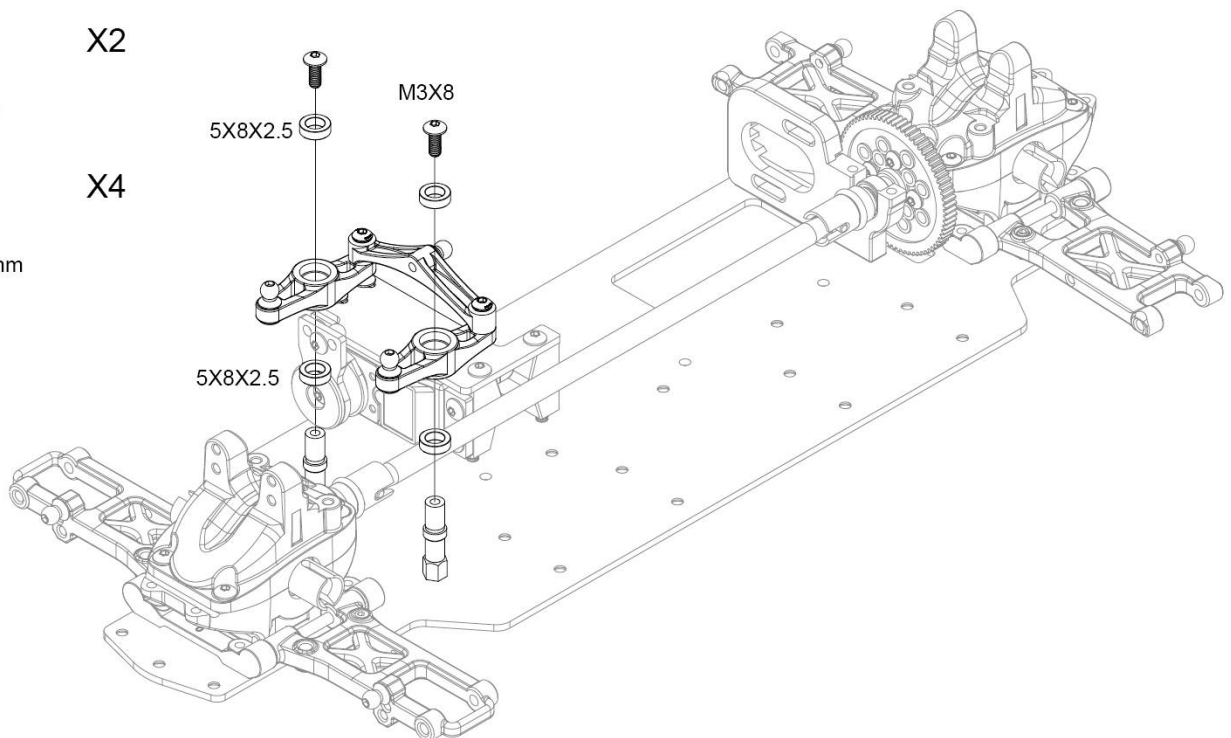
14

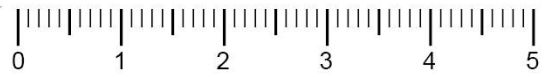
 X2
NBA282
M3×8mm

 X4
NBA297
5×8×2.5mm

X2








X4

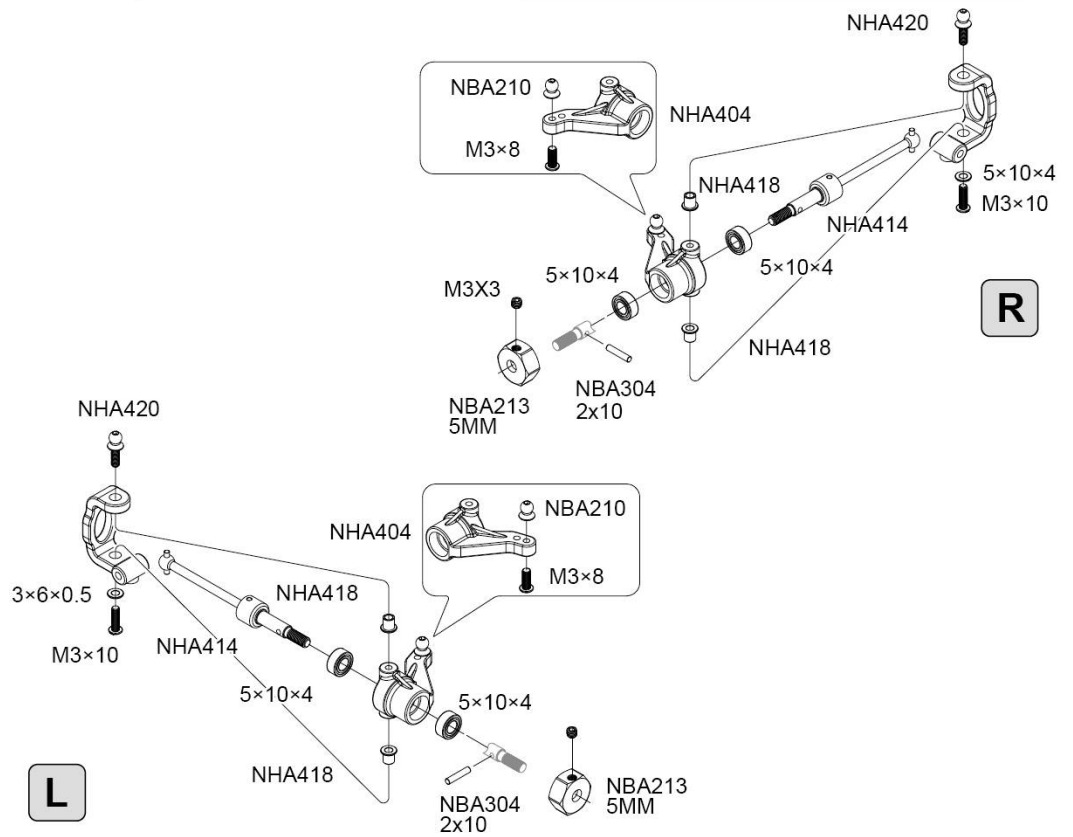






T410R

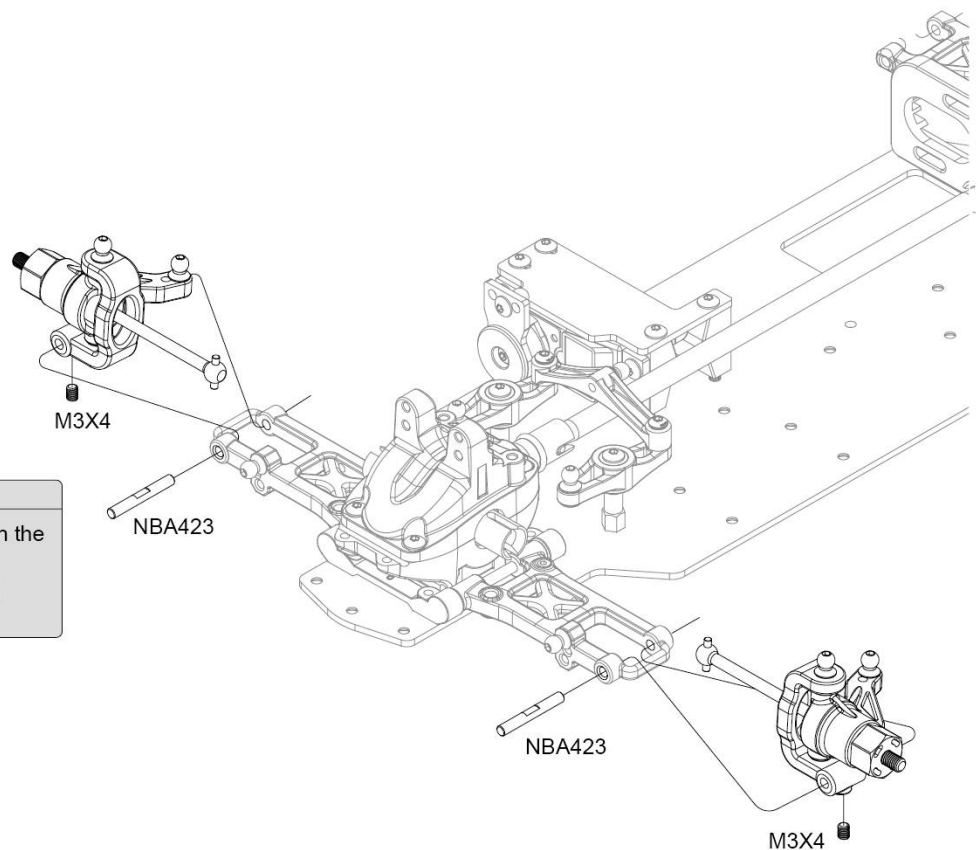
15

-  X2
NBA282
M3x8
-  X2
NBA283
M3x10
-  X2
NBA304
2x10
-  X2
NBA298
5x10x4
-  X2
NHA419
-  X4
NBA210
-  X4
NHA420
4.8x9




16

-  X2
NBA288
M3x4
-  X2
NBA423
3x26



NOTE
Tight Grub screw on the groove of the pin





T410R

17



NBA298
5x10x4

X4



NBA210

X2



NBA289
M3x8

X2



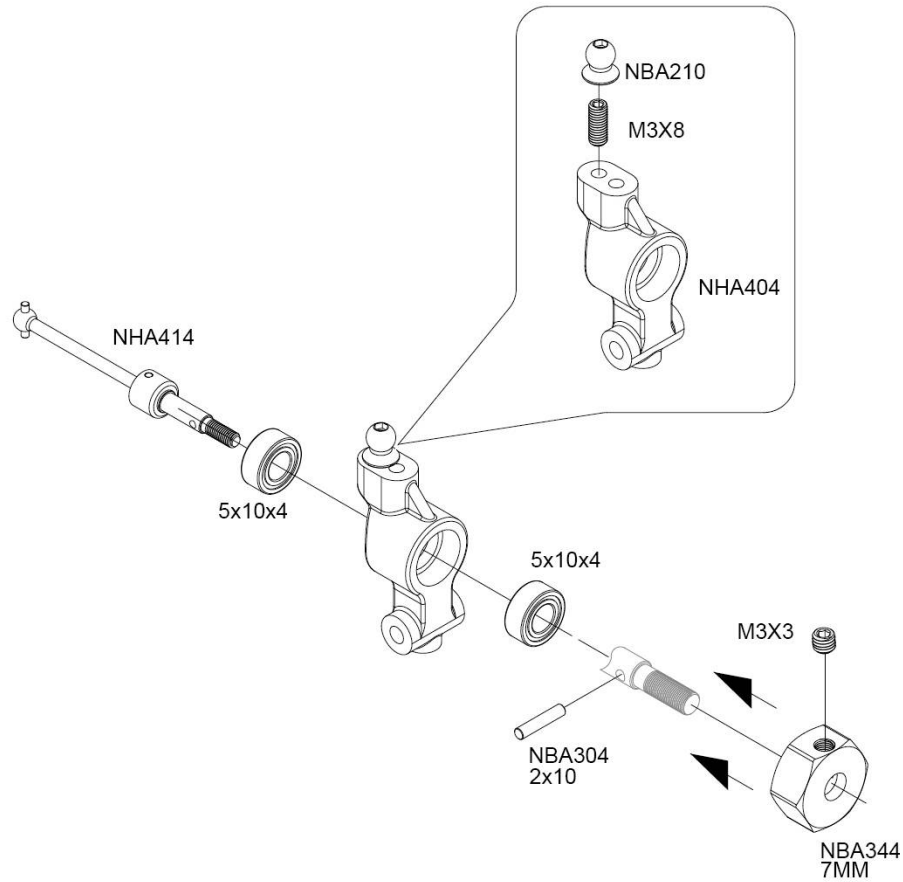
NBA304
2x10

X2



NBA287
M3x3

X2



18



NBA288
M3x4

X2



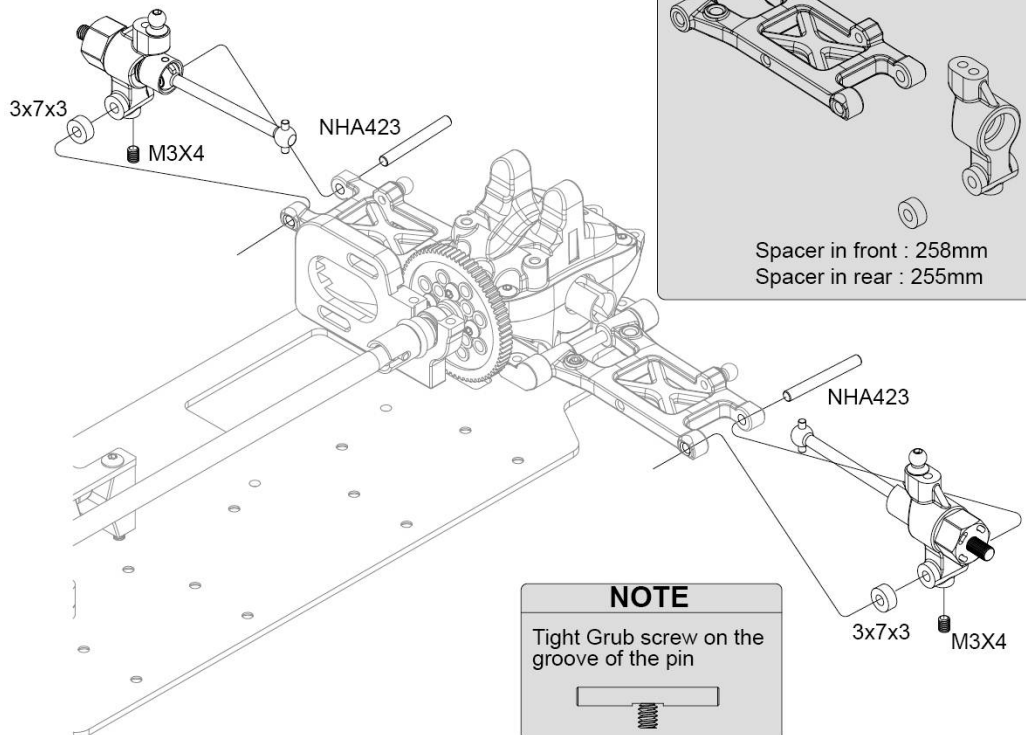
NHA423
3x26

X2



3x7x3

X2



Adjustable Wheelbase

Spacer in front : 258mm
Spacer in rear : 255mm

NOTE

Tight Grub screw on the groove of the pin



T410R

19



X4

NBA210



X2

3x6x4



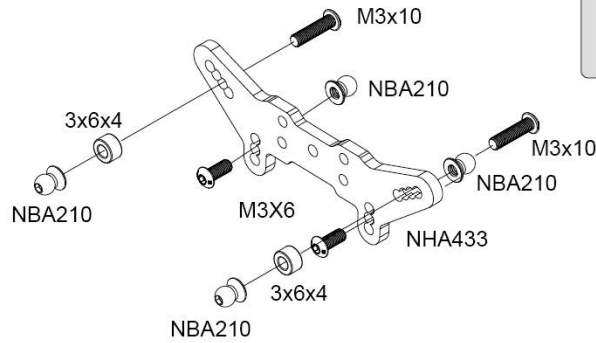
X2

NBA283
M3x10

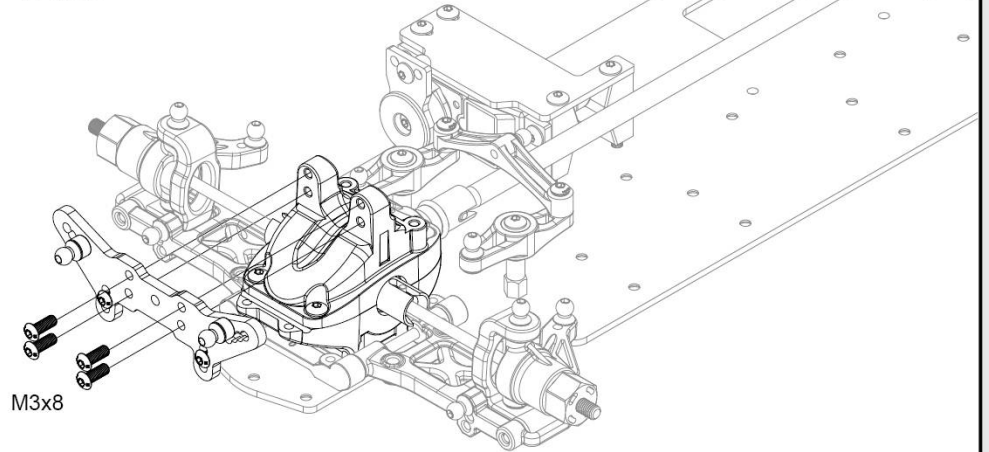
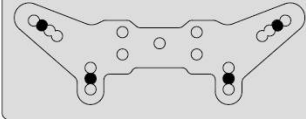


X6

NBA282
M3x8



SET UP



20



X4

NBA210



X2

3x6x4



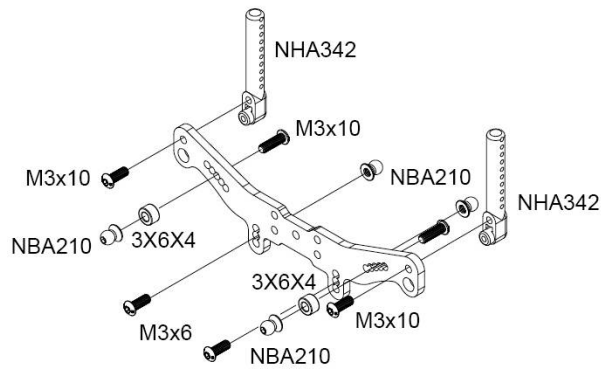
X2

NBA283
M3x10

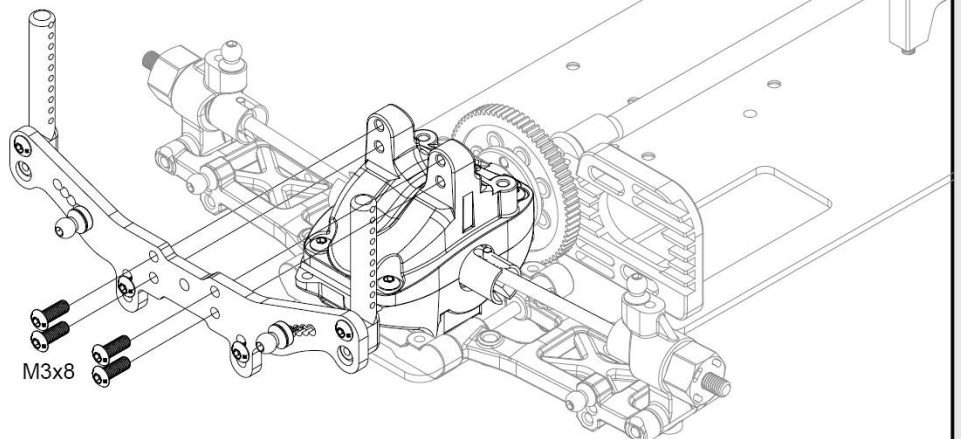
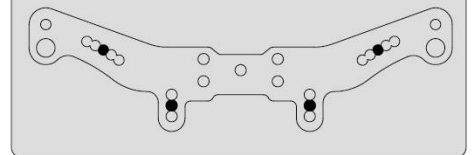


X6

NBA282
M3x8



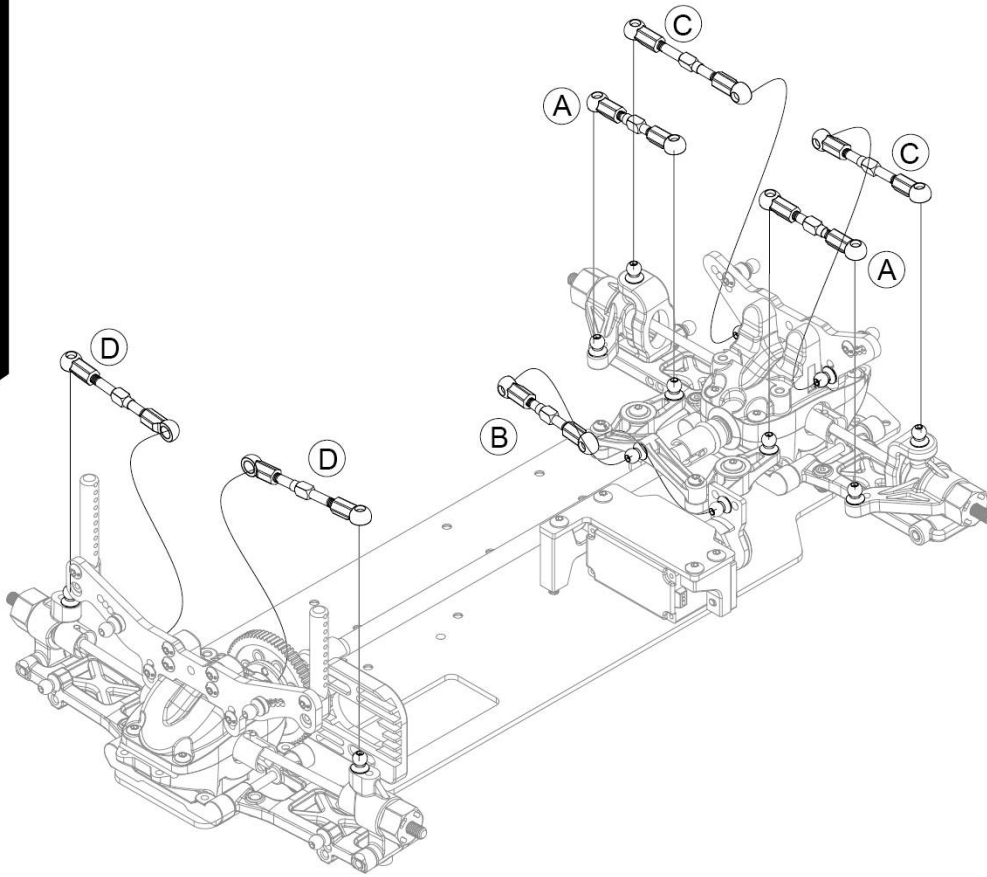
SET UP





21

T410R



SET UP

→ 15.4mm ←

(A) x2 - Steering

← 21mm →

(B) x1 - Servo Saver

← 24mm →

(C) x2 - Front upper

← 25.8mm →

(D) x2 - Rear upper

22



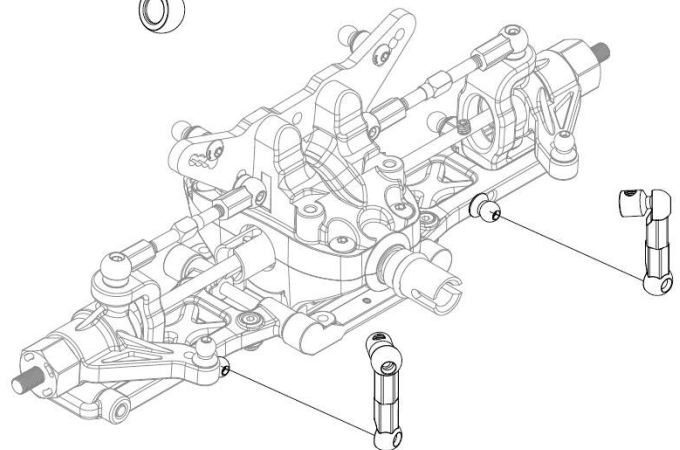
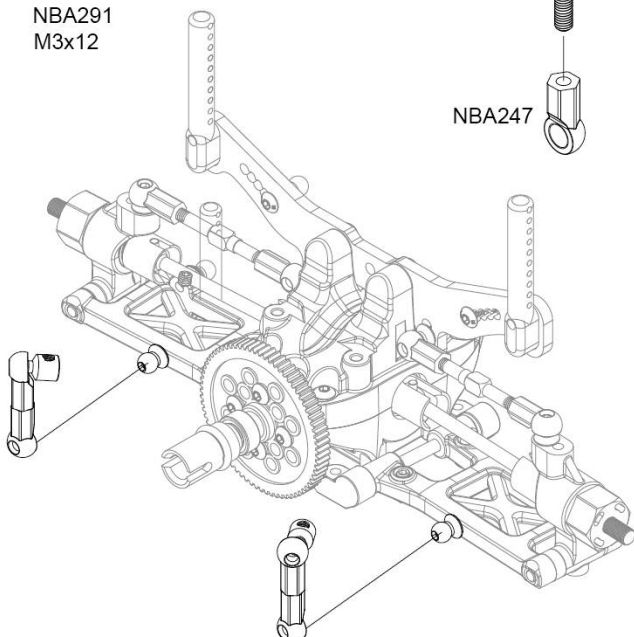
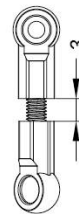
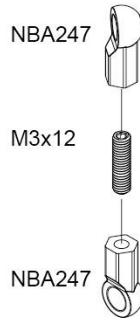
X8

NBA247



X4

NBA291
M3x12





25

T410R

 X1

NBA281
M3x6

 X5

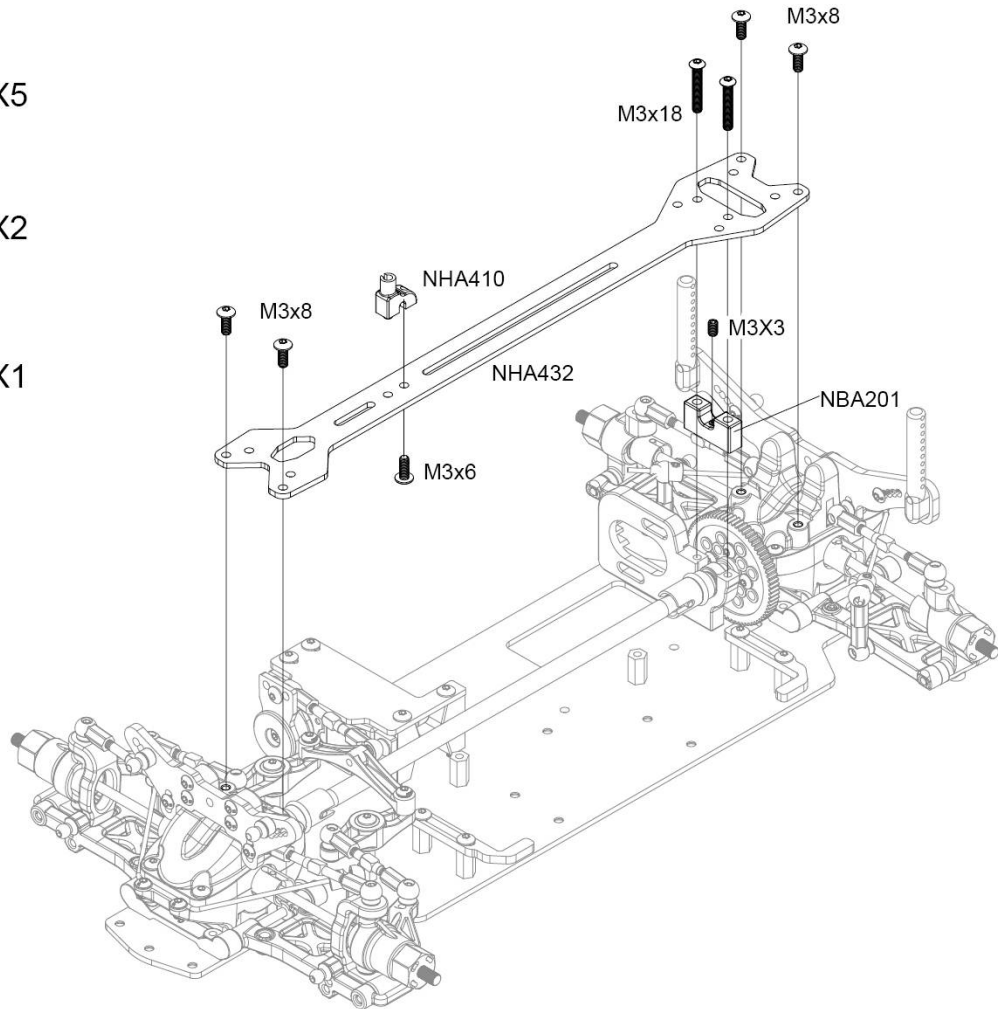
NBA282
M3x8

 X2

NBA285
M3x18

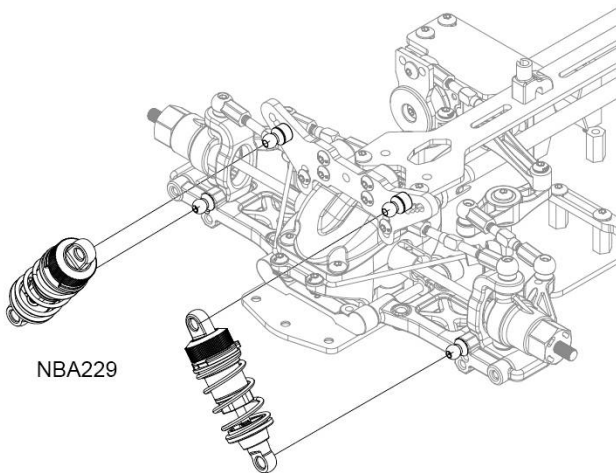
 X1

NBA287
M3x3



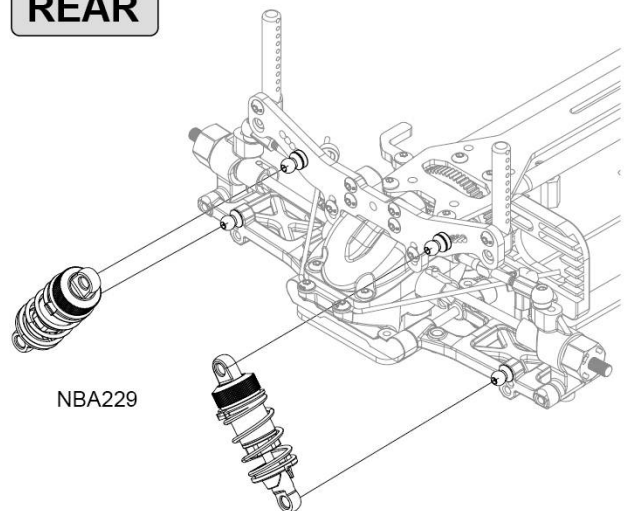
26

FRONT



NBA229

REAR



NBA229

 X2

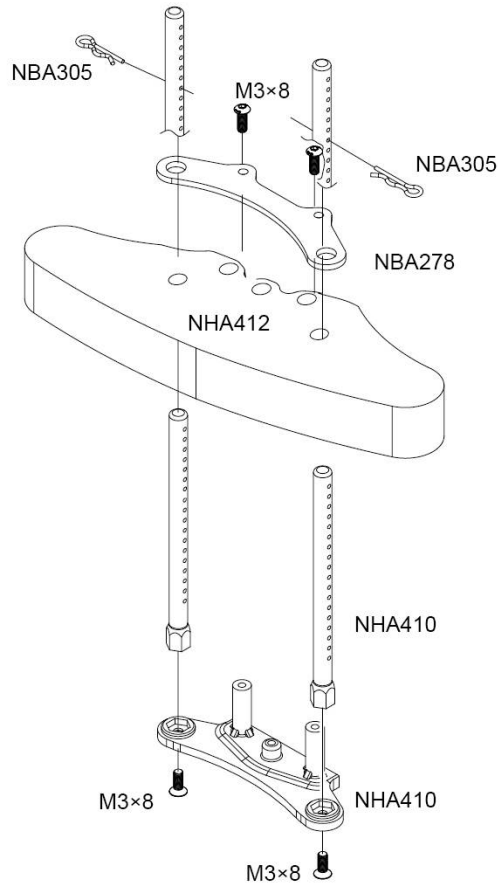
NBA305

 X2

NBA282
M3×8mm

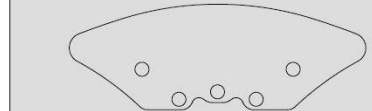
 X2

NBA280
M3×8mm

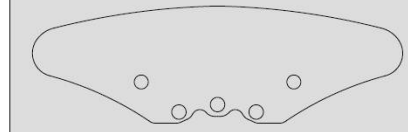


Option

NBA336 Bumper For Touring Car Body



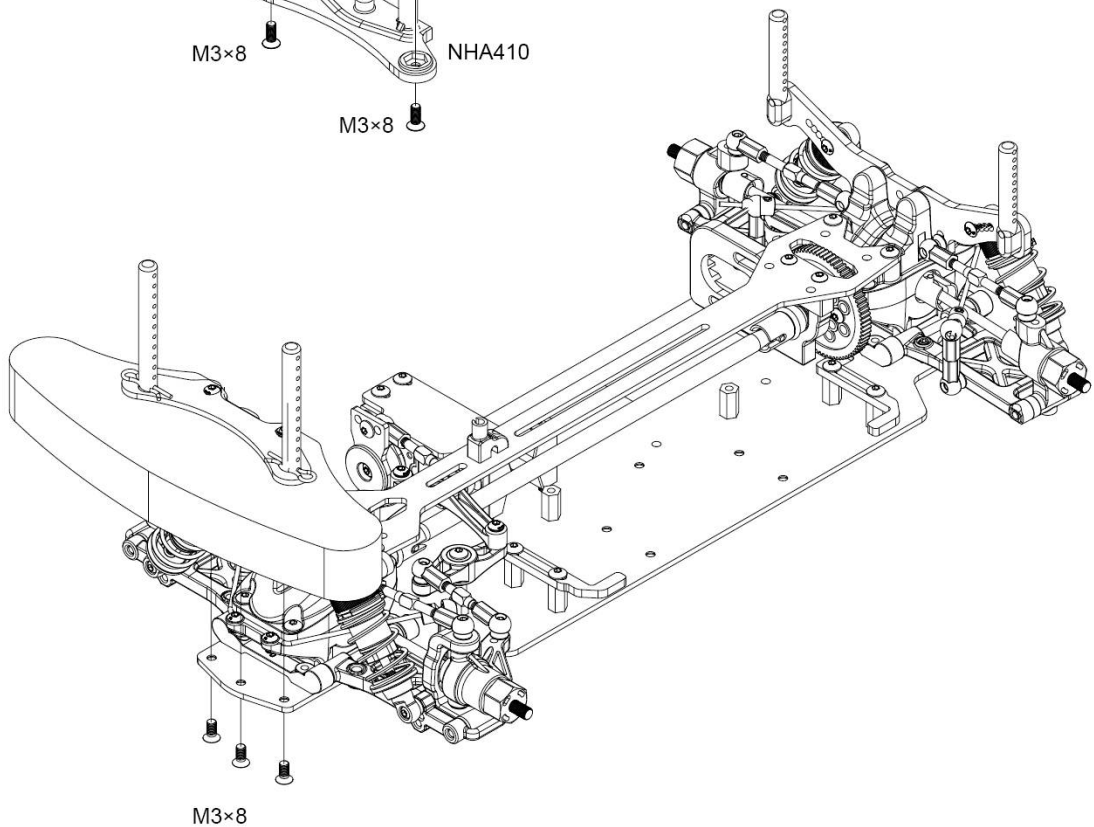
NHA412 Bumper For Touring Car Body



There are two sizes of bumper that Allowed to fit Different kind of Body shell.

 X3

NBA280
M3×8mm

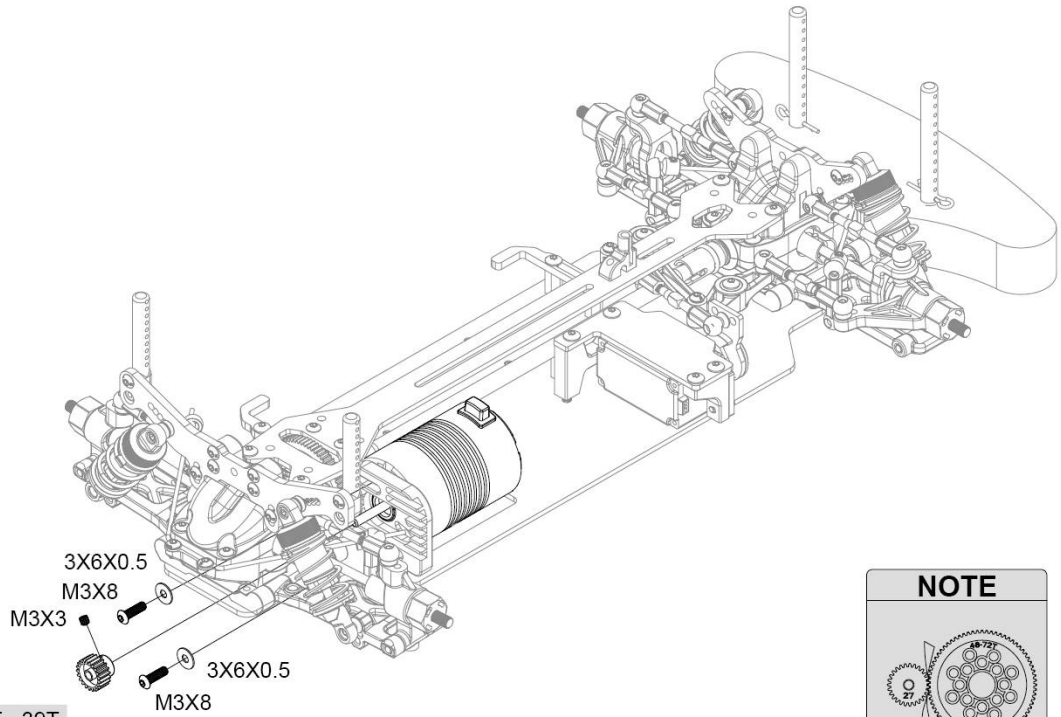


28

 X2
NBA282
M3x8mm

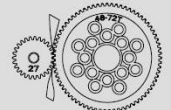
 x2
NBA301
3X6X0.5

 x1
NBA287
M3x3



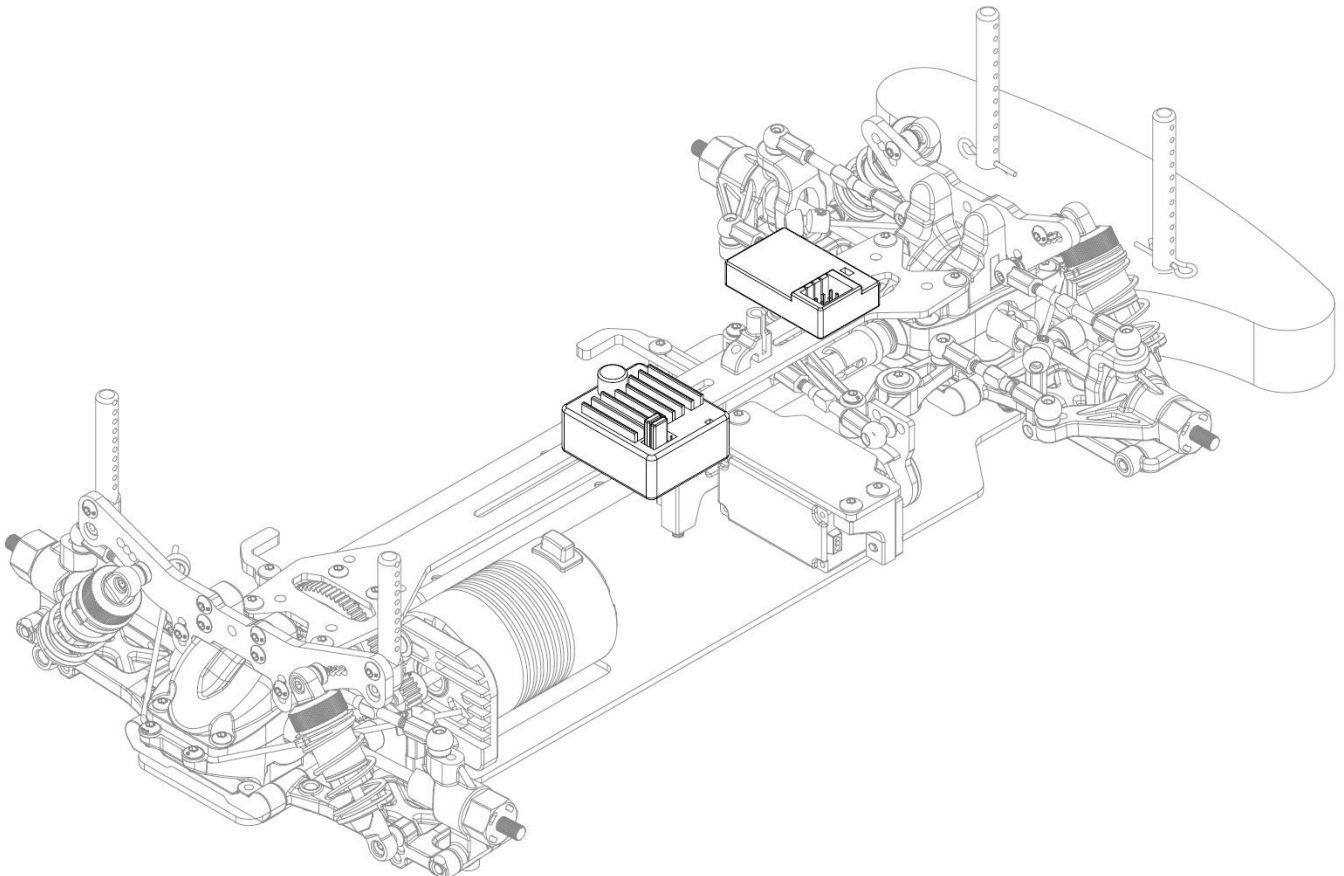
NBA215 39T
NBA216 31T
NBA218 27T

NOTE



Insert a sheet of paper before installing.

29



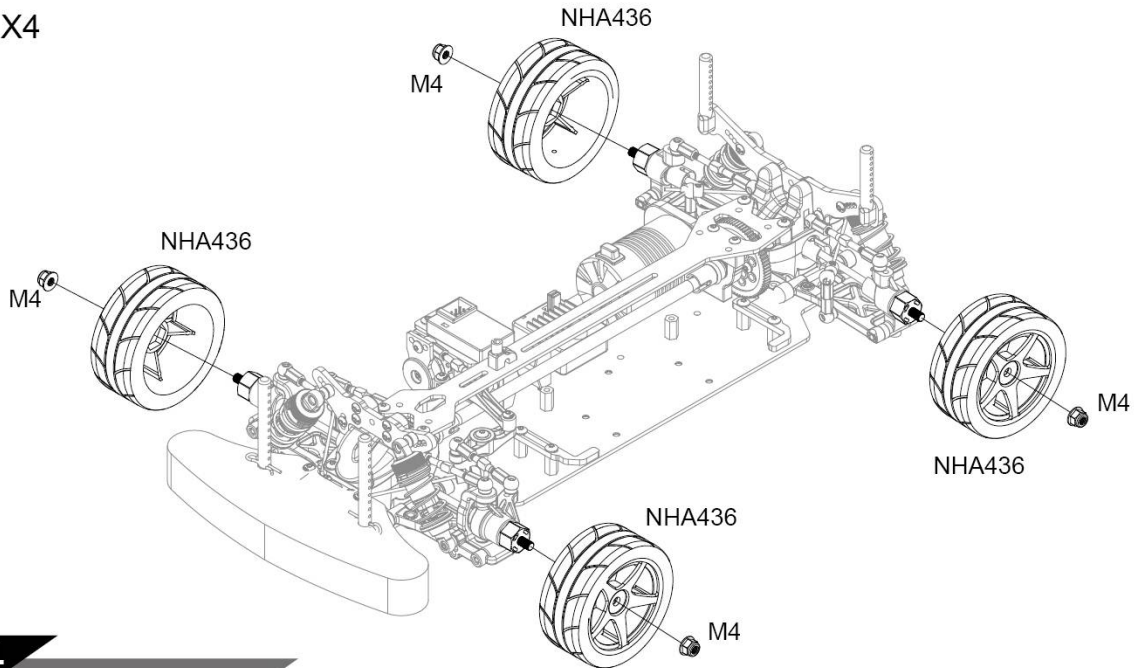


30



X4

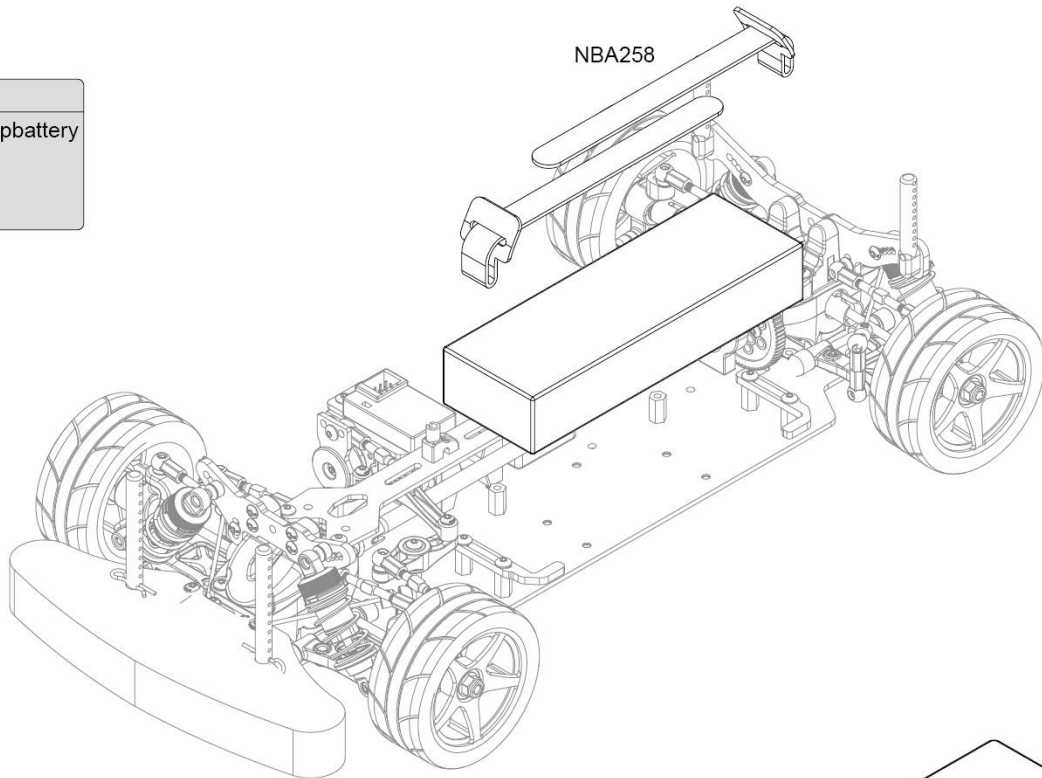
NBA295
M4



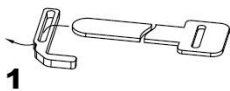
31

NOTE

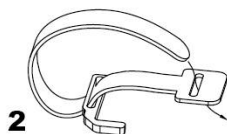
Comptible with Lipbattery
L=138m
W=46mm
H=25mm



FRONT



1

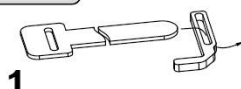


2

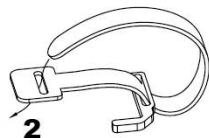


3

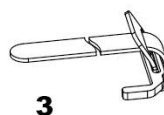
REAR



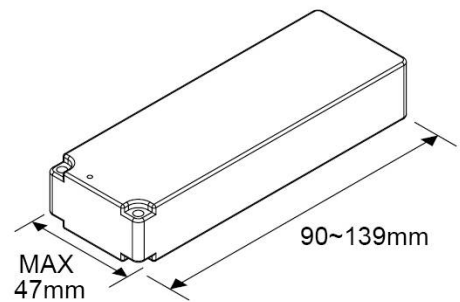
1



2



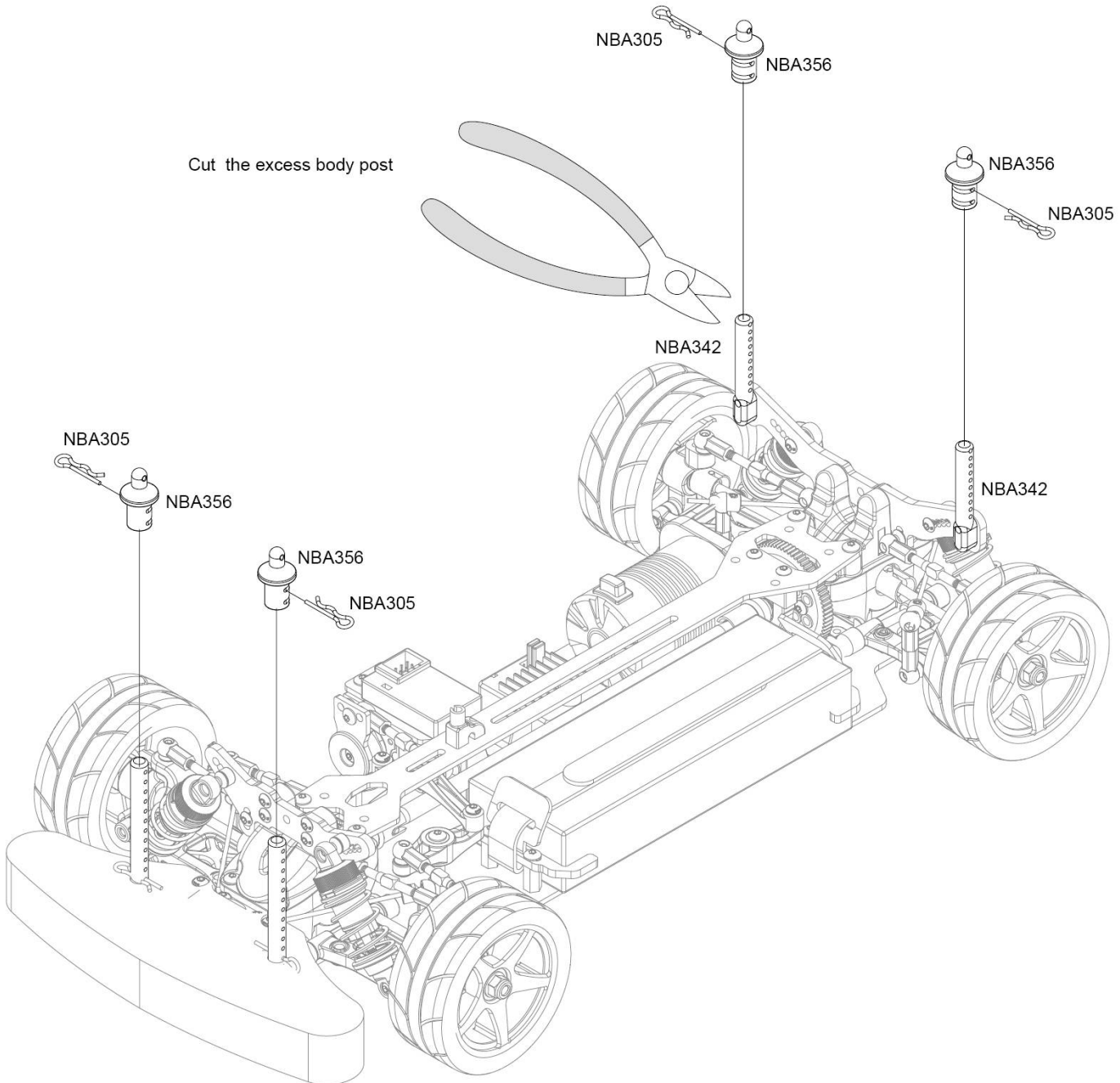
3





X4

NBA305

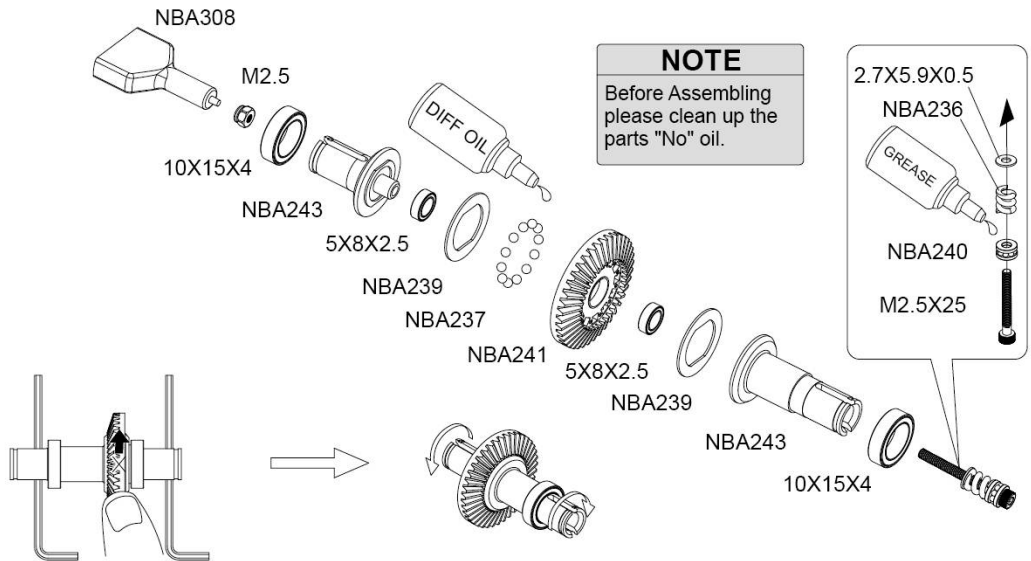




T410

1

-  X1
NBA236
-  X1
NBA240
2.6×6×3mm
-  X2
NBA297
5×8×2.5mm
-  X2
NBA299
10×15×4mm
-  X1
NBA238
M2.5×2.5mm
-  X1
NBA238
M2.5
-  X12
NBA237
3/32"
-  X1
NBA236
2.7× 5.9× 0.5mm



NOTE
Before Assembling
please clean up the
parts "No" oil.

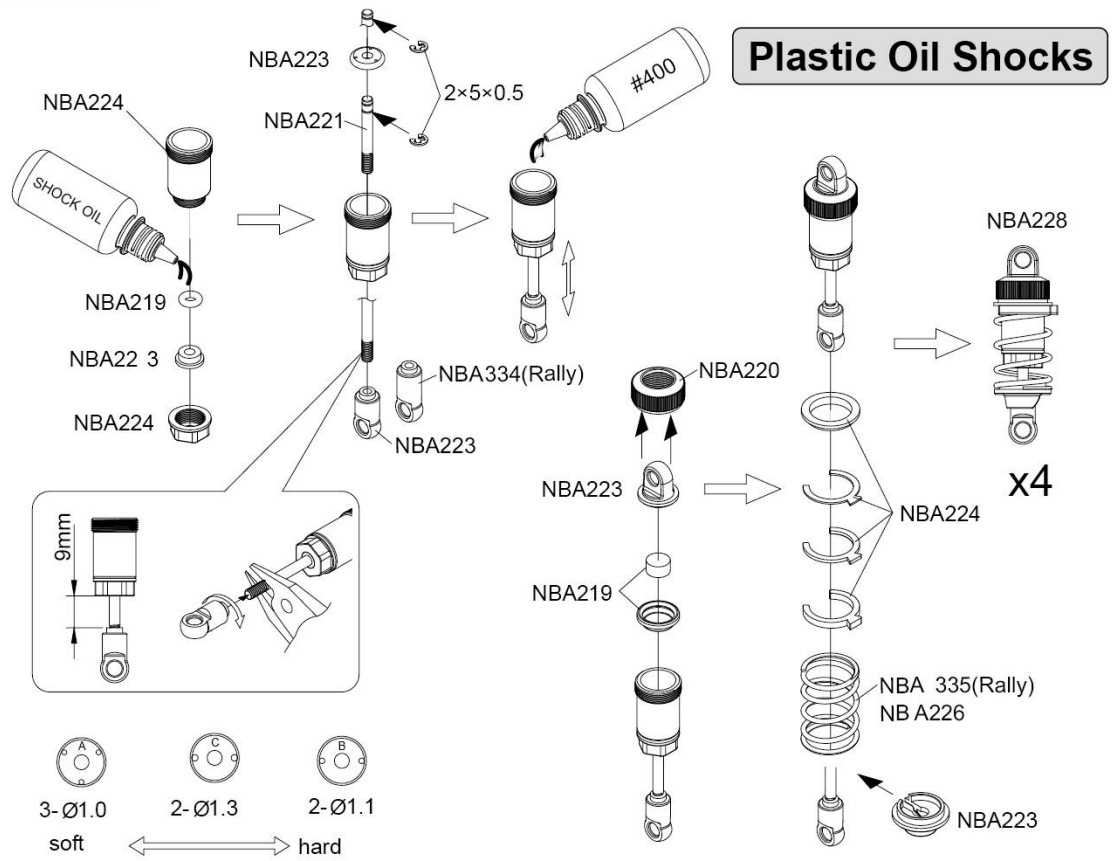
NOTE
The differential should be tightened until the gear
cannot be rotated when both of the diff hubs are held.
The differentials should turn smoothly after assembling.



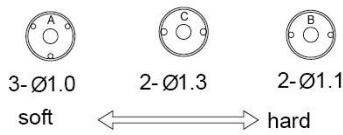
BALL DIFF

2

-  X2
NBA221
2×5×0.5mm
-  X1
NBA221
-  X1
NBA219
2.9×6.6mm
-  X1
NBA223
-  X1
NBA219



Plastic Oil Shocks

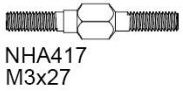




3



X14



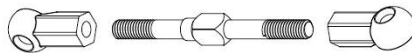
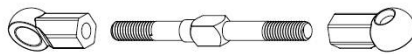
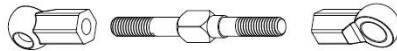
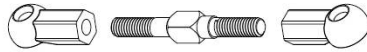
X2



X1



X4



SET UP

→ 15.4mm ←

Ⓐ x2 - Steering

← 21mm →

Ⓑ x1 - Servo Saver

← 24mm →

Ⓒ x2 - Front upper

← 25.8 mm →

Ⓓ x2 - Rear upper

4



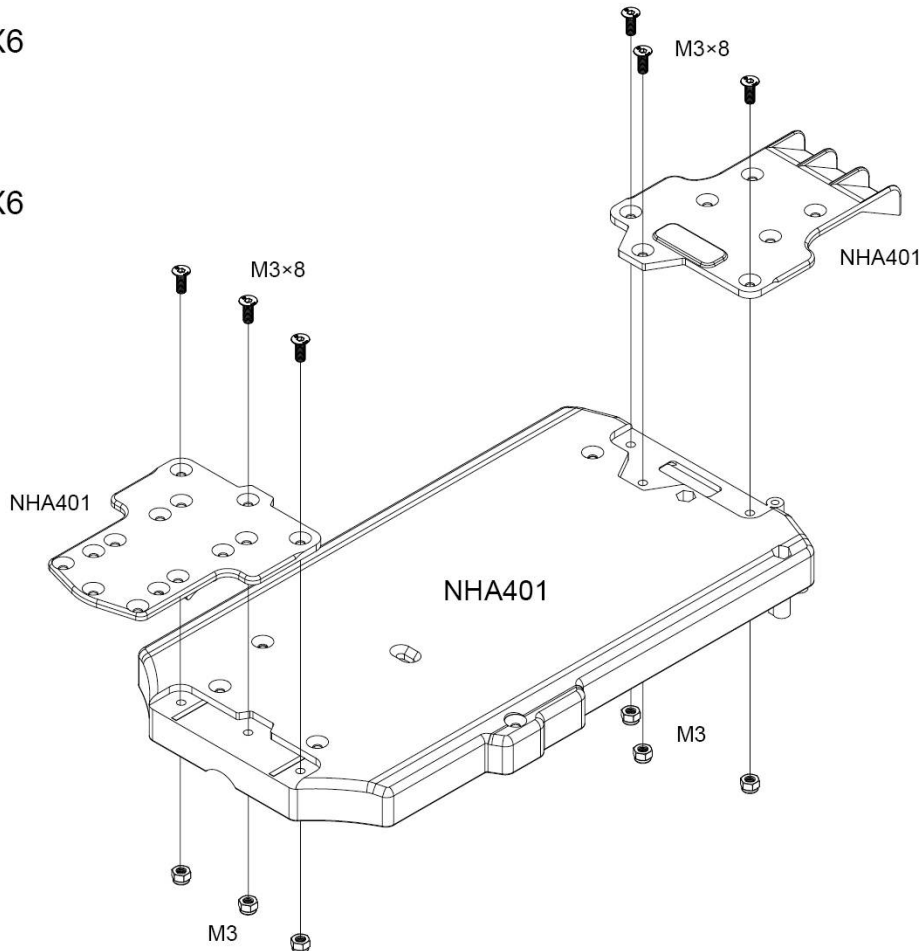
X6

NBA280
M3x8mm



X6

NBA294
M3



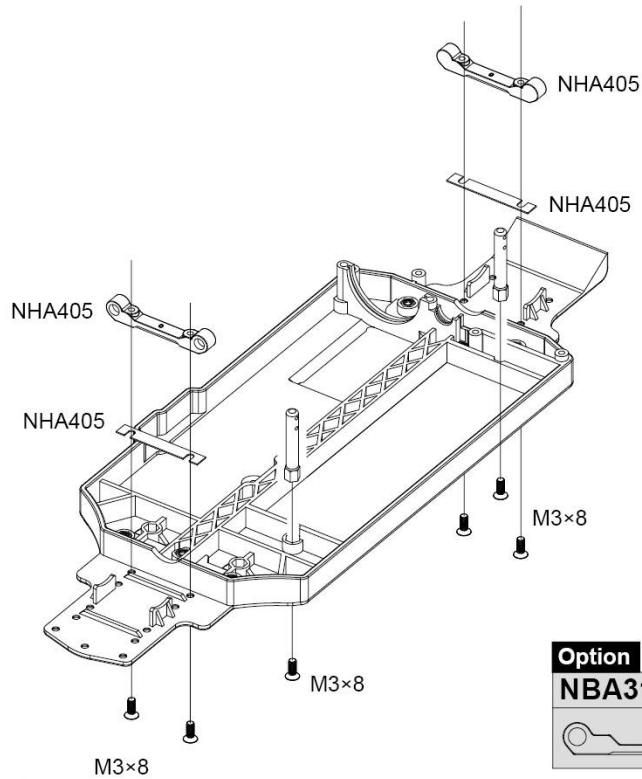


5

T410

 X6

NBA280
M3×8mm



Option

NBA314 Pivot Block (ALUMINUM) 0°



6

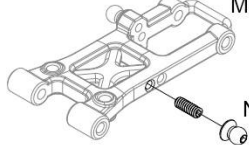


X8

NBA210
3×8mm

Front L/R

M3x8



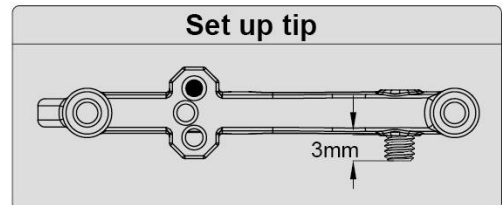
NBA210



X8

NBA211

Set up tip



3mm

NHA423
3X42

X4



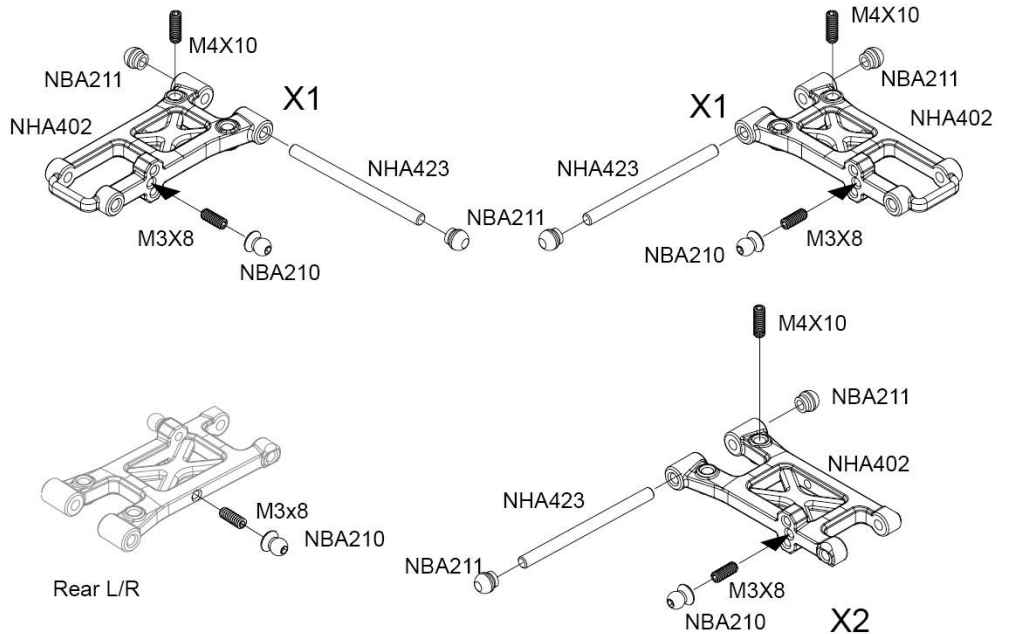
X8

NBA289
M3×8mm



X4

NHA430
M4×10mm



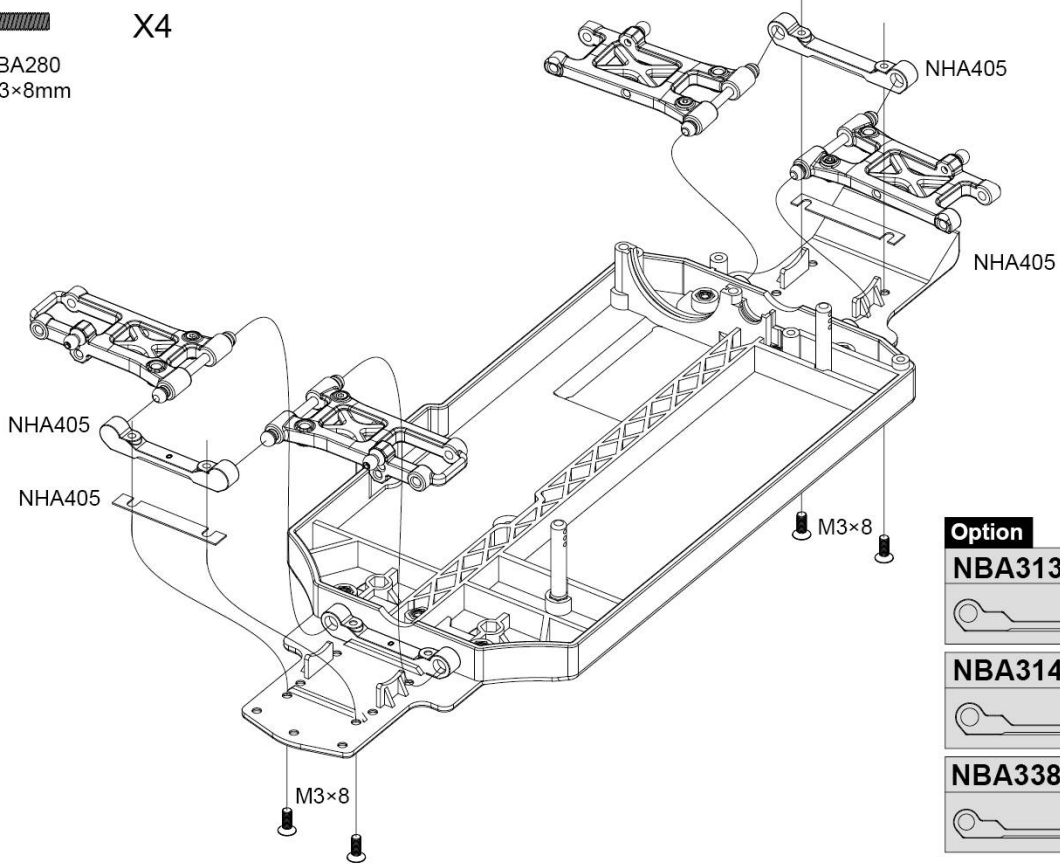
Rear L/R



T410

7

 X4
NBA280
M3×8mm



Option

NBA313 Pivot Block (ALUMINUM) 3°



NBA314 Pivot Block (ALUMINUM) 0°




NBA338 Pivot Block (ALUMINUM) 2.0°



8

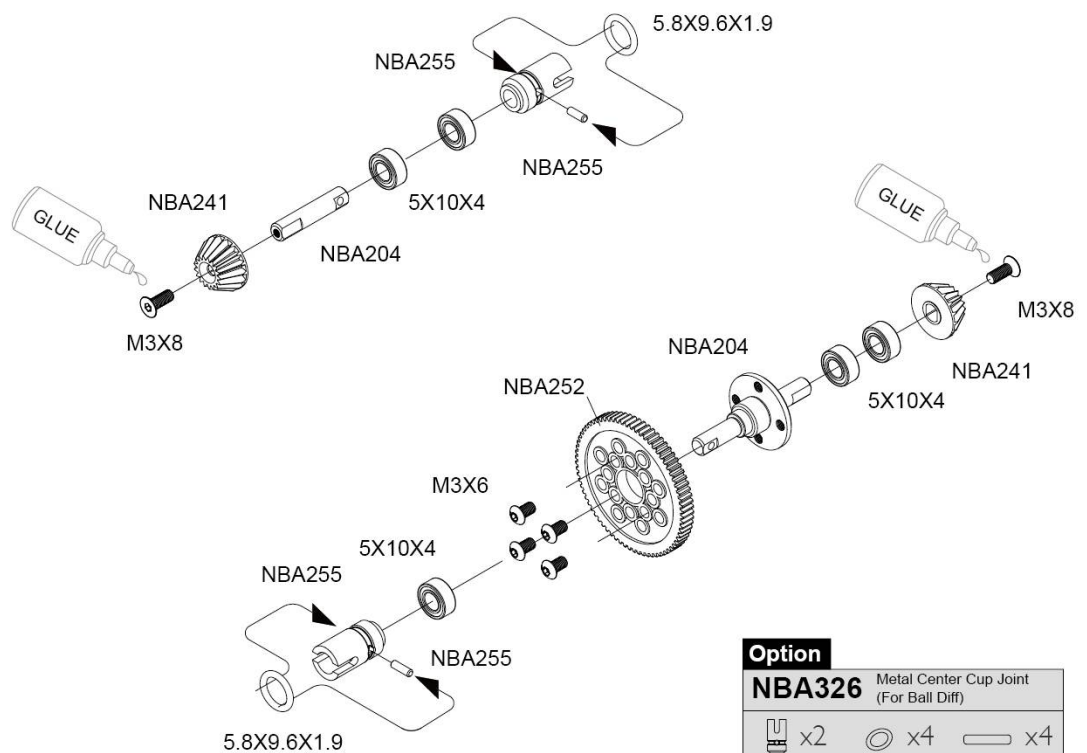
 X1
NBA281
M3×6mm

 X2
NBA280
M3×8mm

 X5
NBA298
5×10×4mm

 X2
NBA306
5.8×9.6×1.9mm

 X2
NBA255
2×7.6mm



Option

NBA326 Metal Center Cup Joint
(For Ball Diff)





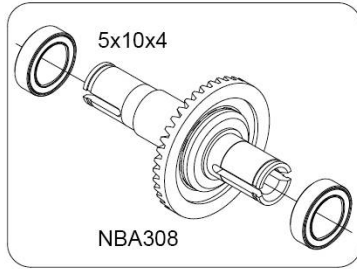
T410

9

 X2
NBA283
M3×10mm

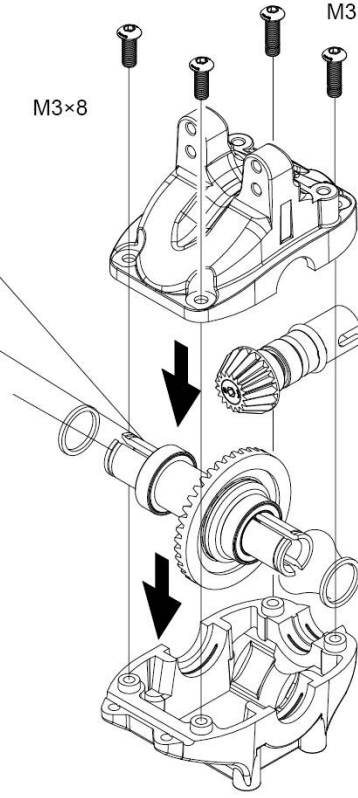
 X2
NBA282
M3×8mm

X2



M3×10
M3×8

FRONT

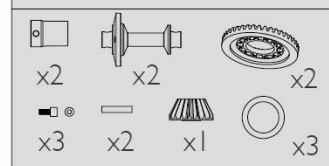


Option

NBA309 Ball Differential (Metal)



NBA321 Solid Axle (40T/17T Plastic)



10

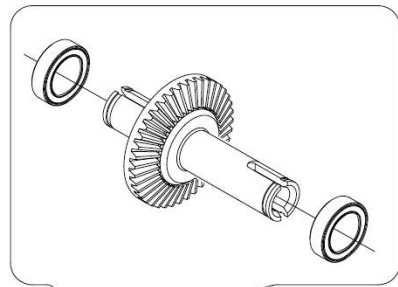
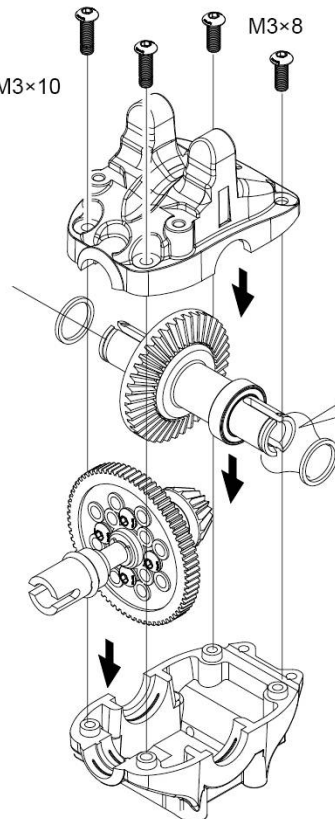
 X2
NBA283
M3×10mm

 X2
NBA282
M3×8mm

X2

M3×10
M3×8

REAR



Option

NBA309 Ball Differential (Metal)



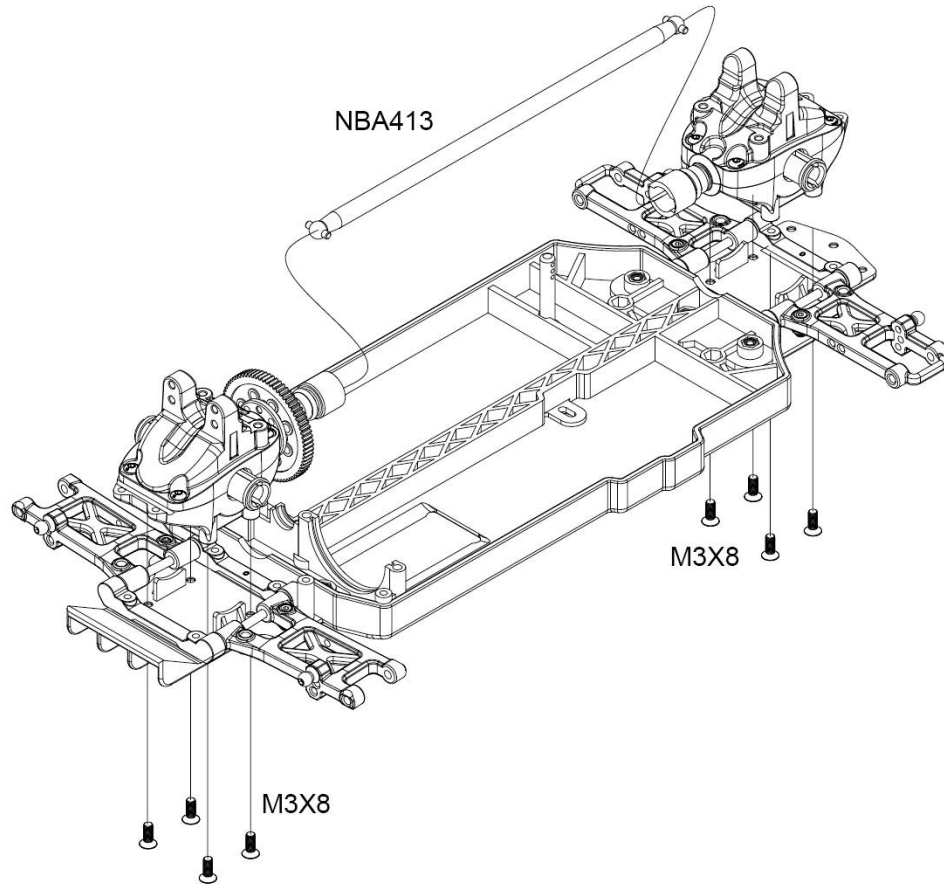


11



X8

NBA280
M3X8mm



12



X2

NBA284
M3X12mm



X6

NBA282
M3X8mm



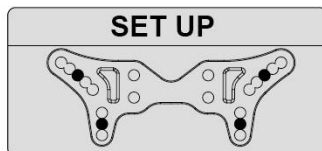
X4

NBA210
3X8mm



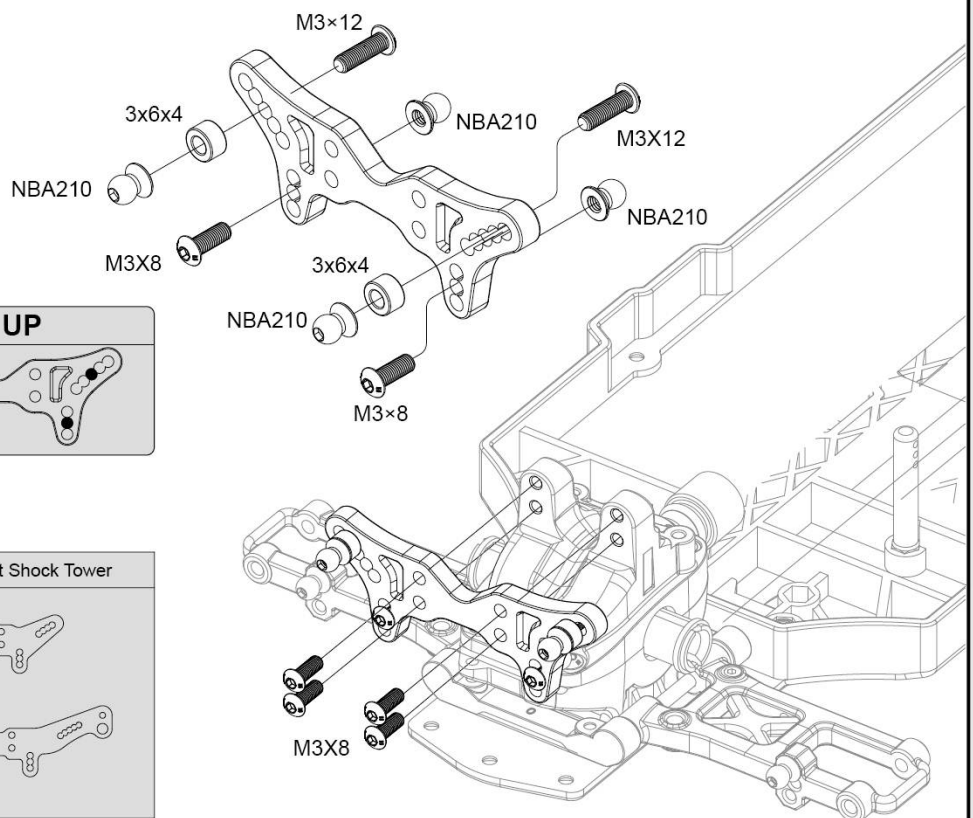
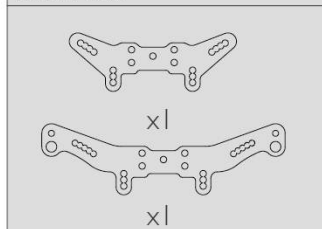
X2

3x6x4



Option







NHA433 Front Shock Tower

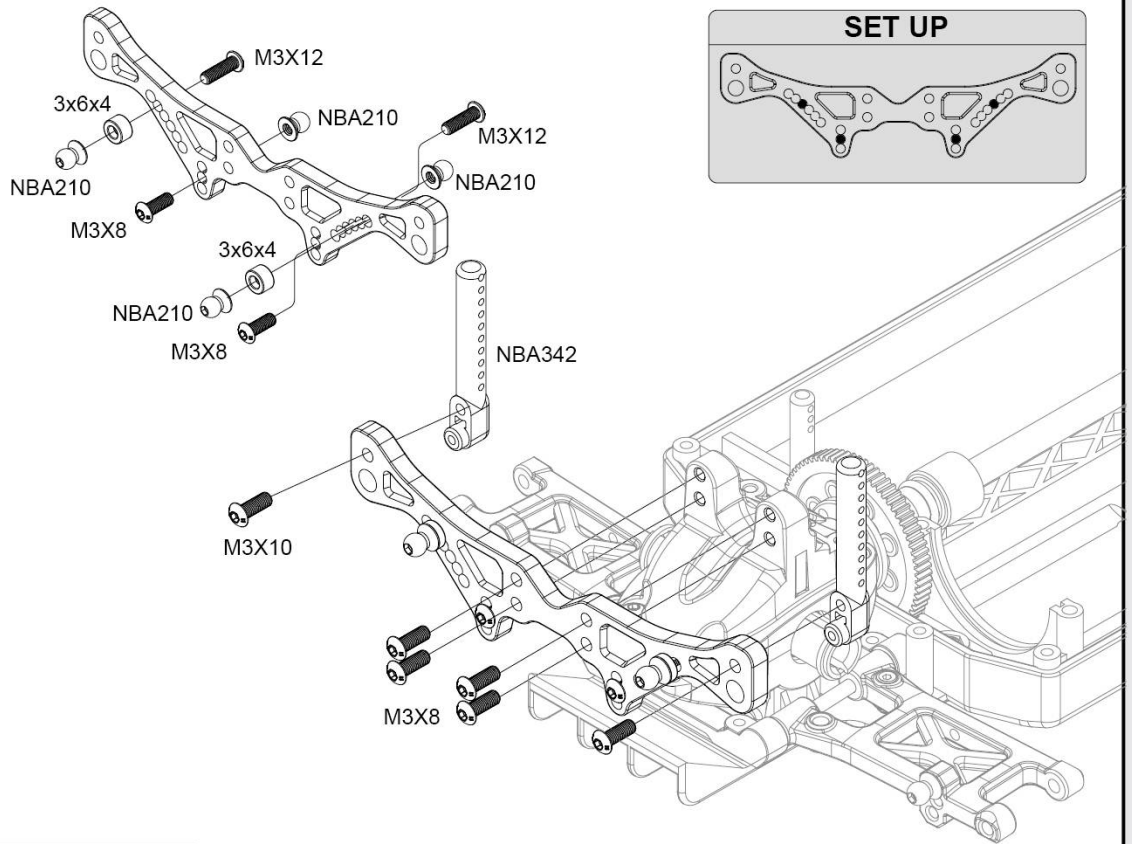






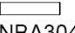





T410

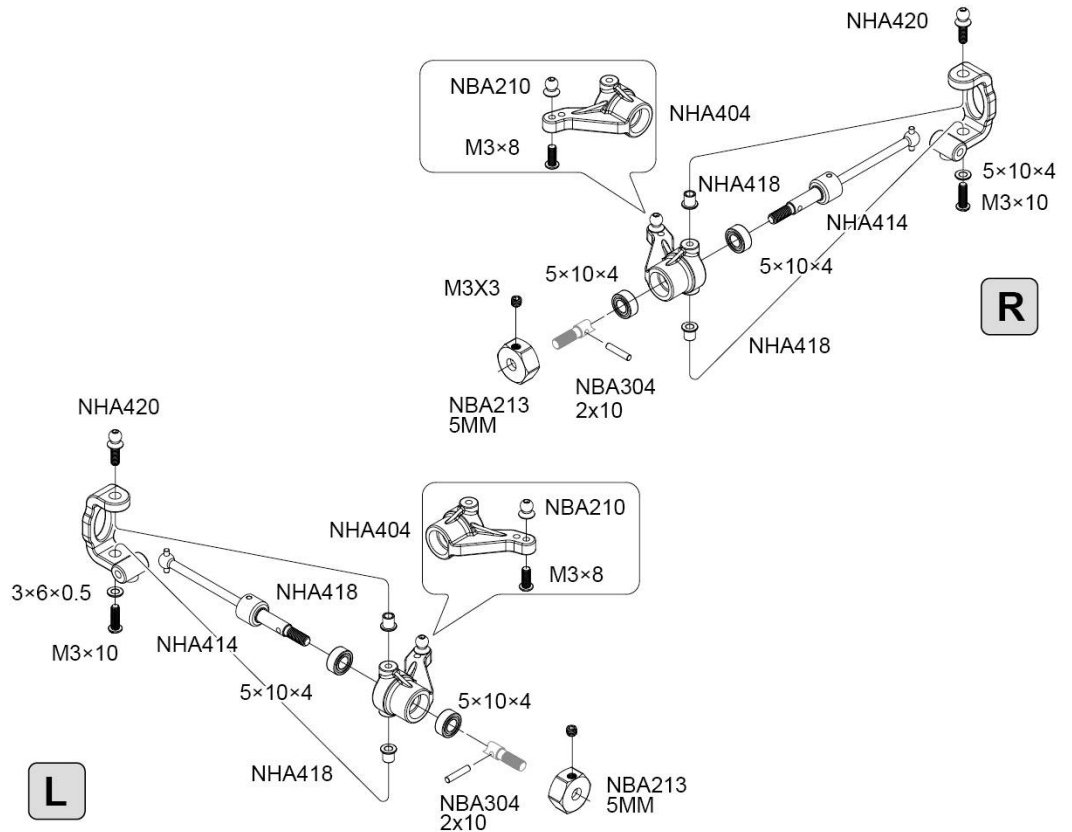
13

-  X2
NBA284
M3X12mm
-  X6
NBA282
M3X8mm
-  X4
NBA210
3X8mm
-  X2
NBA283
M3X10mm
-   X2
3x6x4



14


-  X2
NBA282
M3x8
-  X2
NBA283
M3x10
-  X2
NBA304
2x10
-  X2
NBA298
5x10x4
-   X2
NHA419
-  X4
NBA210
-  X4
NHA420
4.8x9




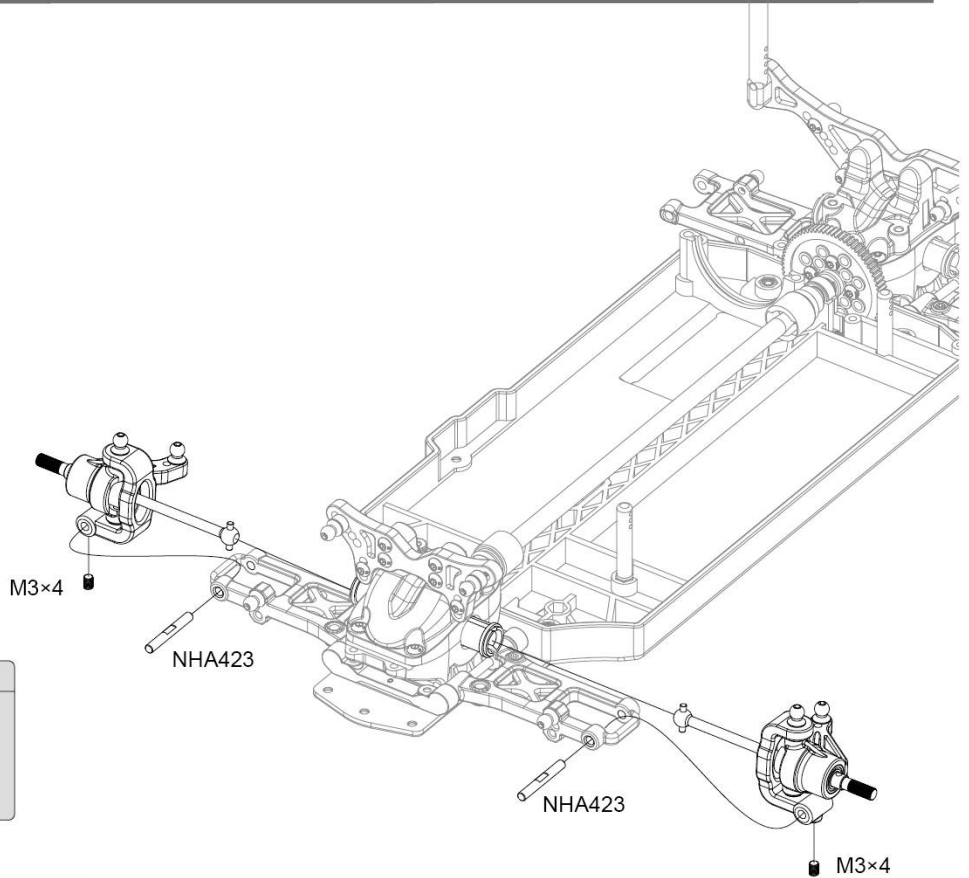


T410


15

 X2
NBA288
M3X4mm

 X2
NHA423
2.5X23mm



NOTE
Tight Grub screw on the groove of the pin

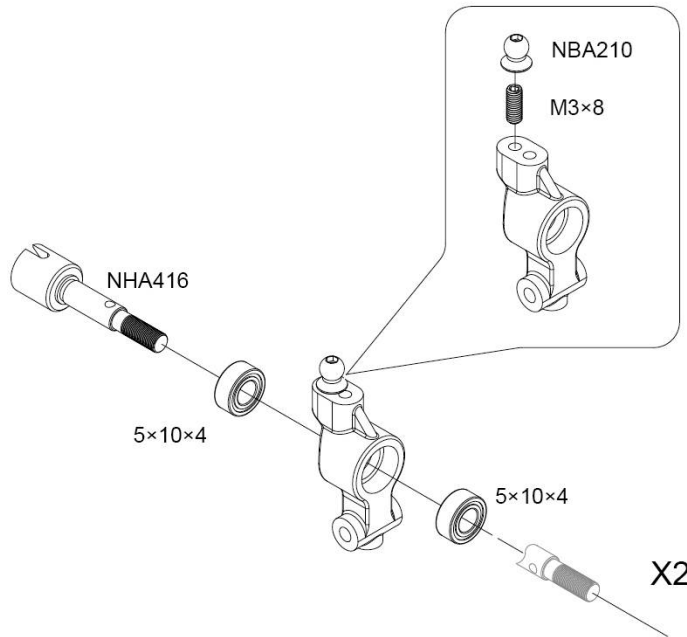



16

 X4
NBA298
5×10×4mm

 X2
NBA289
M3×8mm

 X2
NBA210
3×8mm



Option
NHA414 CVD Drive Shaft

x2

17

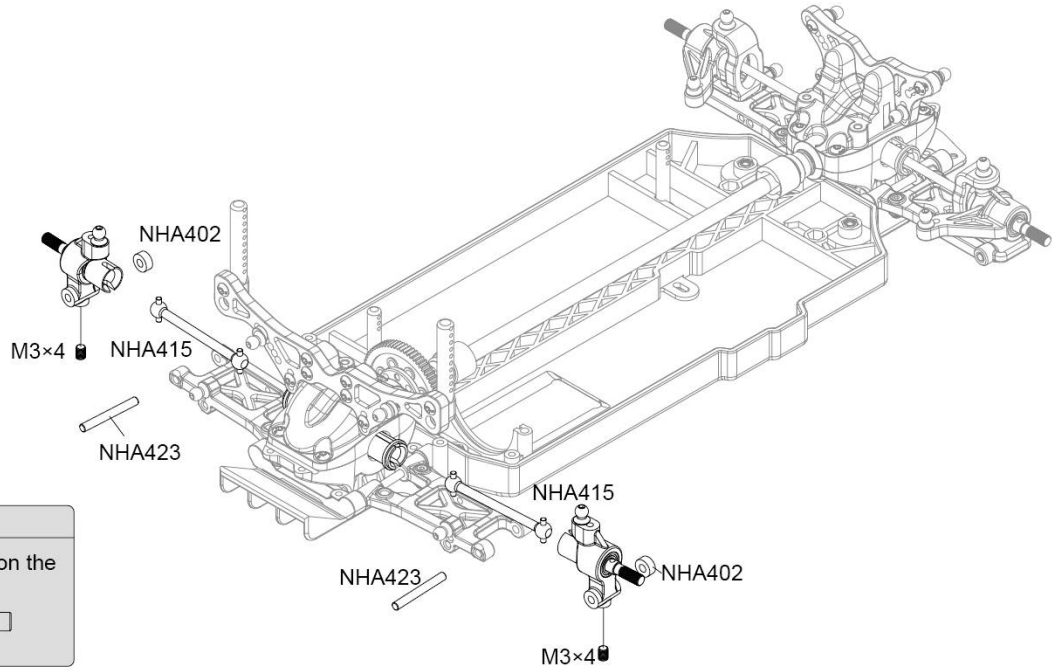
 X2

NHA423
2.5×26mm



X2

NBA288
M3×4mm

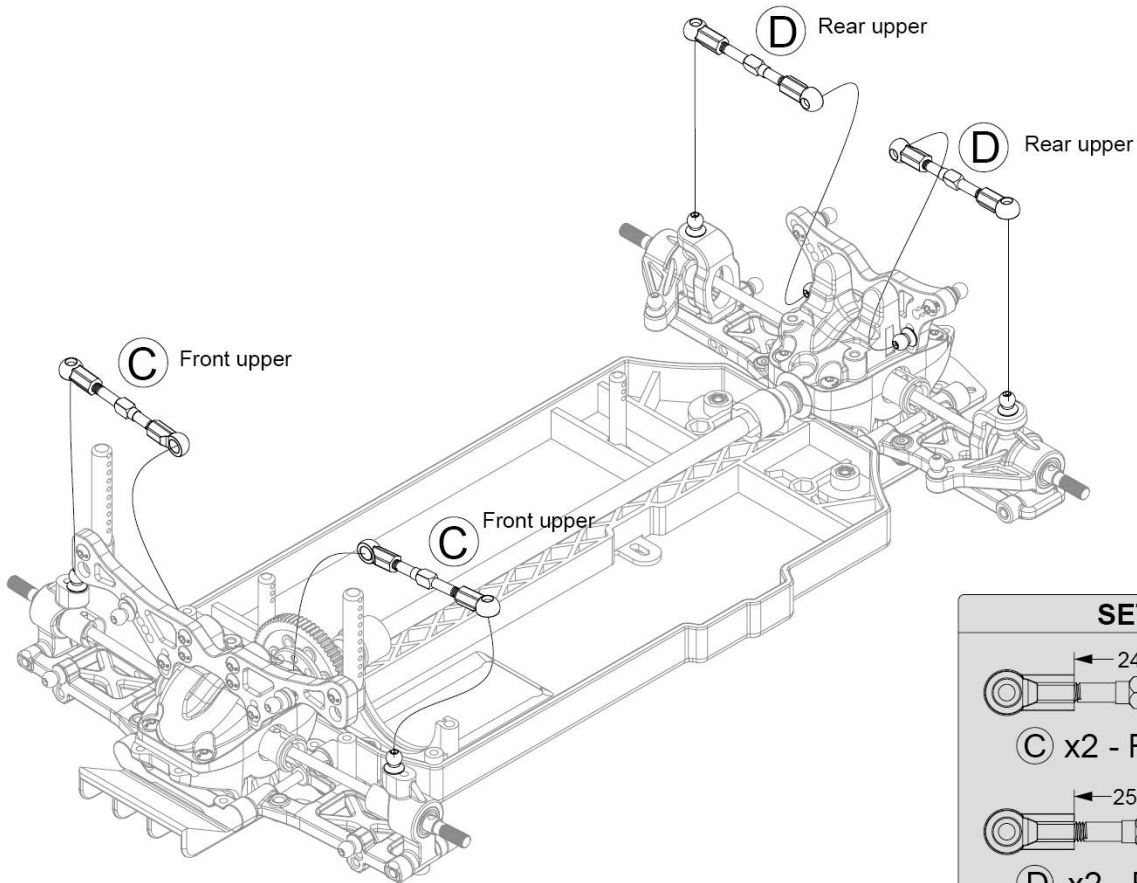


NOTE

Tight Grub screw on the groove of the pin



18



SET UP

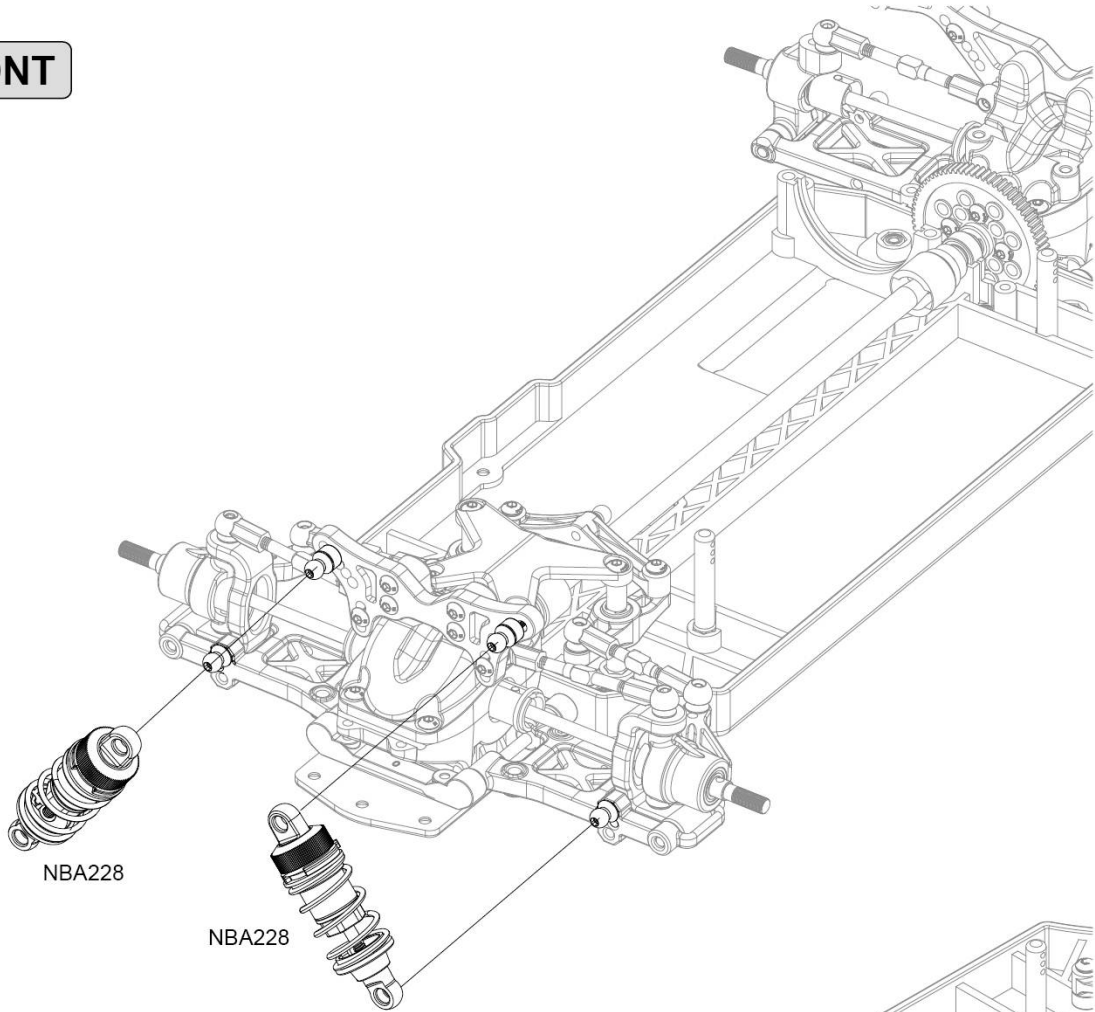


← 24mm →
C x2 - Front upper

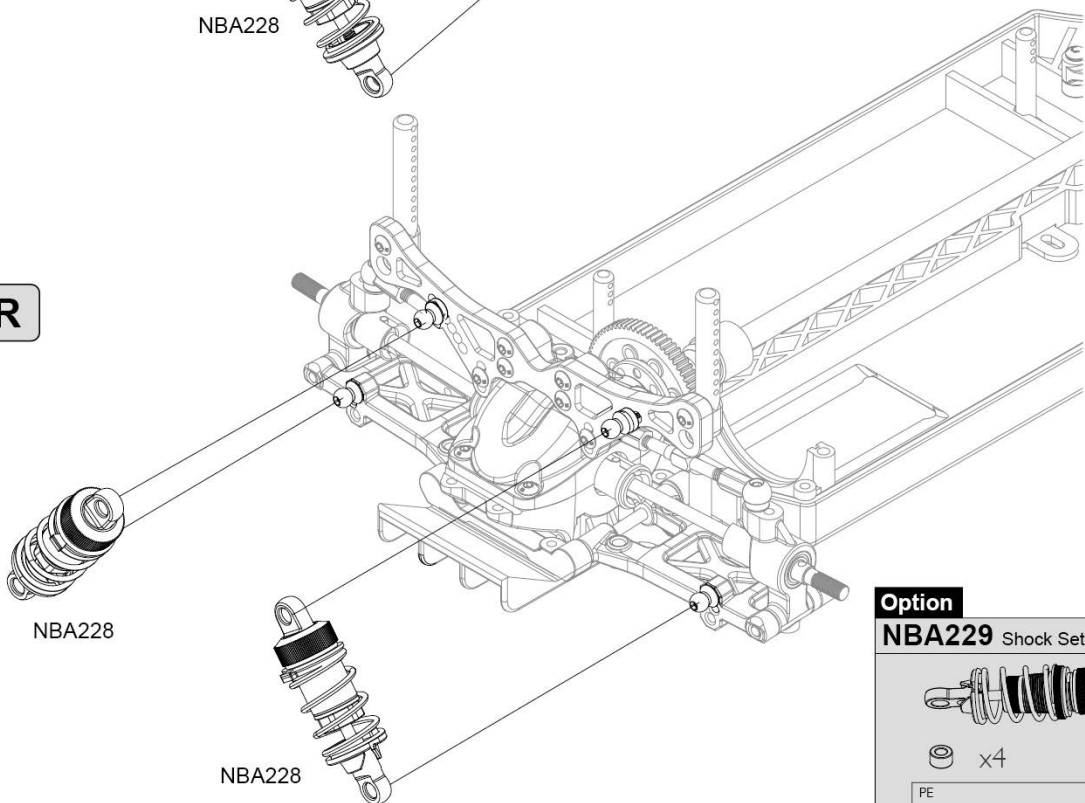


← 25.8mm →
D x2 - Rear upper

FRONT



REAR



Option
NBA229 Shock Set (Aluminum)

x4

⊙ x4

PE

⊙ x4 ⊙ x4



 X3
NBA282
M3×8mm

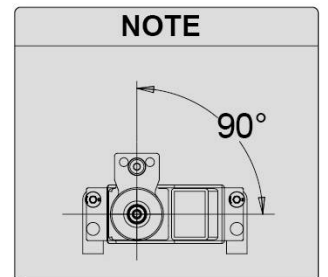
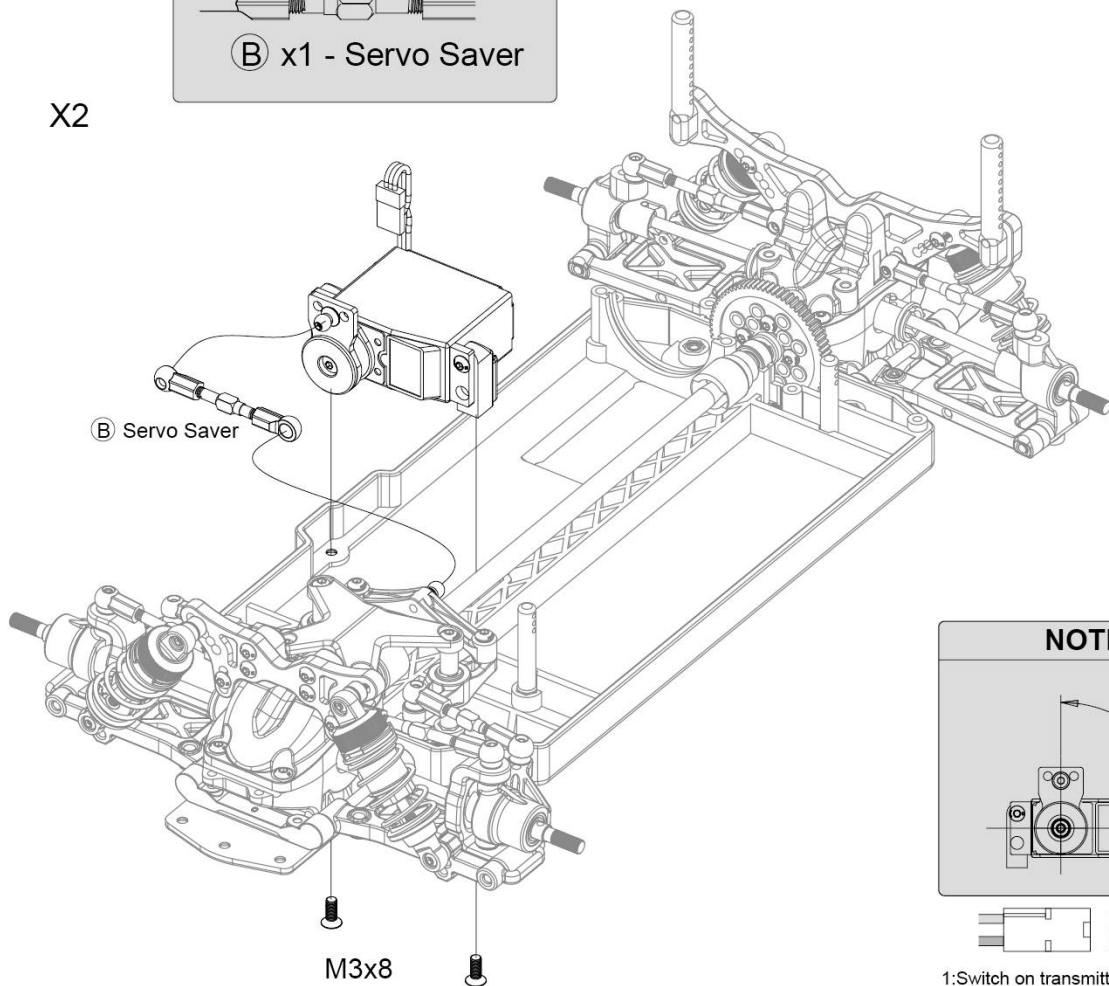
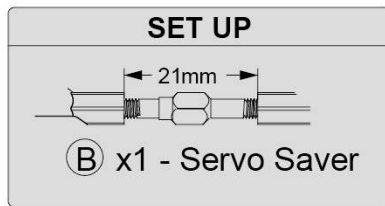
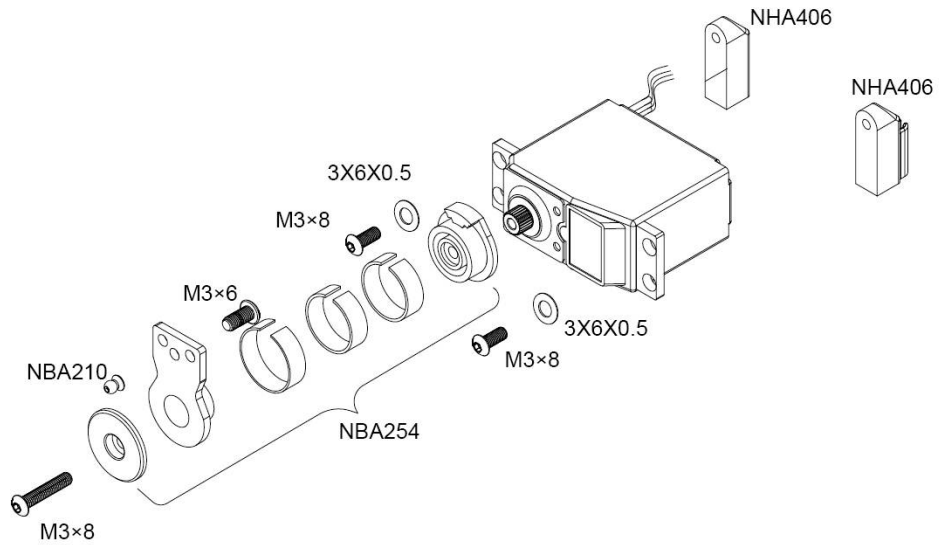
 X1
NBA281
M3×6mm

 X1
NBA254
(Black)

 X2
NBA254
(Silver)

 X1
NBA210
3×8mm

 X2
NBA280
M3×8mm



1: Switch on transmitter
2: Connecting battery and turn on ESC switch



X2

NBA305



X2

NBA282
M3×8mm



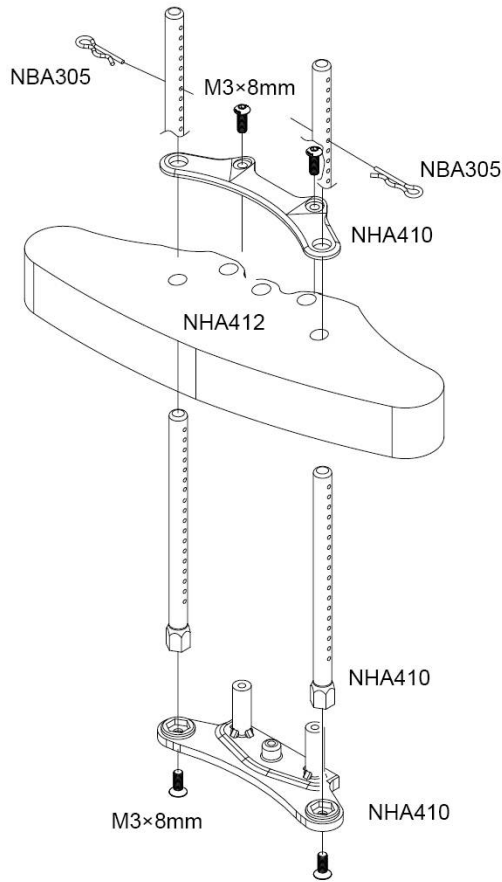
X2

NBA280
M3×8mm



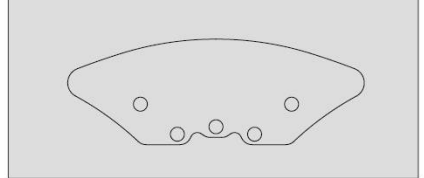
X3

NBA280
M3×8mm

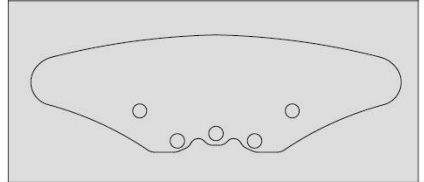


Option

NBA336 Bumper For Touring Car Body



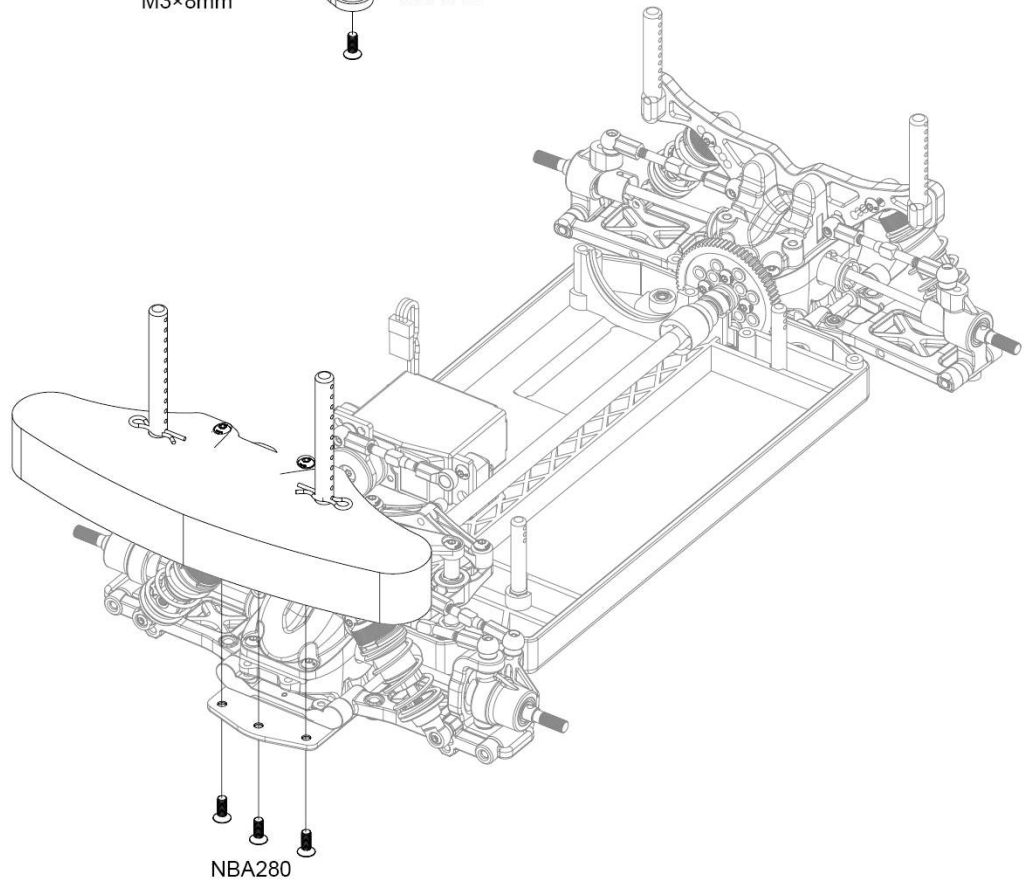
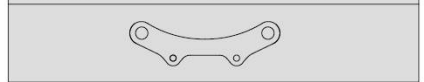
NHA412 Bumper For Touring Car Body



There are two sizes of bumper that Allowed to fit Different kind of Body shell.

Option




NBA278 Bumper Plate (For Sedan Body)

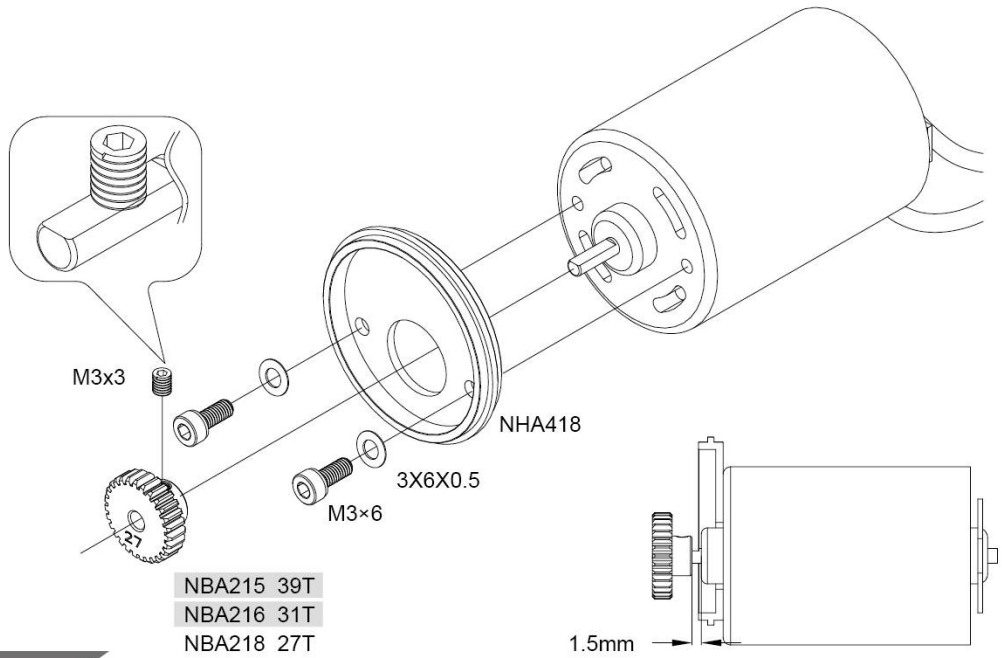







T410

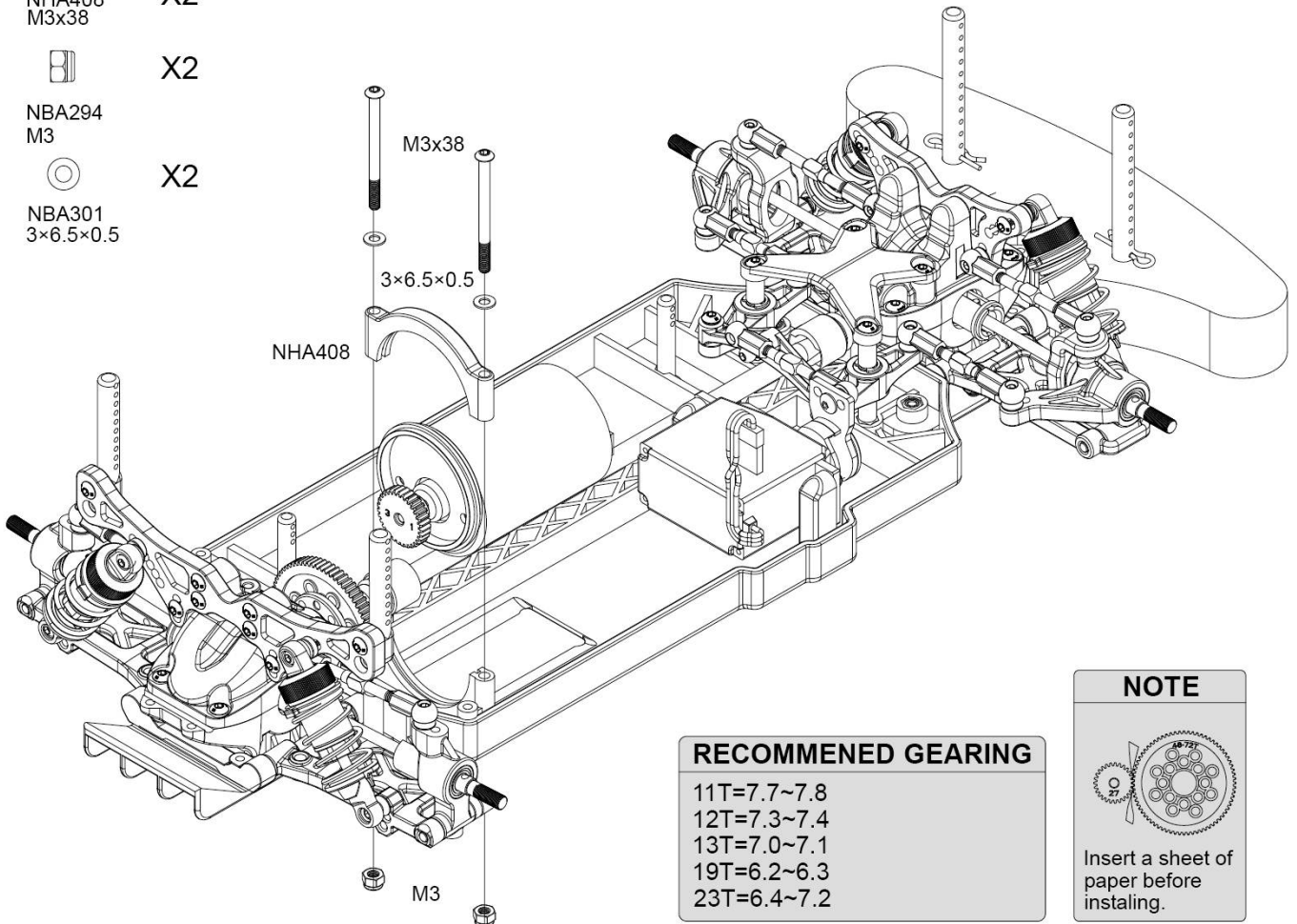
23

-  X1
NBA287
M3x3mm
-  X2
NBA301
3x6x0.5
-  X2
NHA425
M3x6



24

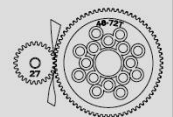
-  X2
NHA408
M3x38
-  X2
NBA294
M3
-  X2
NBA301
3x6.5x0.5



RECOMMENDED GEARING

11T=7.7~7.8
12T=7.3~7.4
13T=7.0~7.1
19T=6.2~6.3
23T=6.4~7.2

NOTE



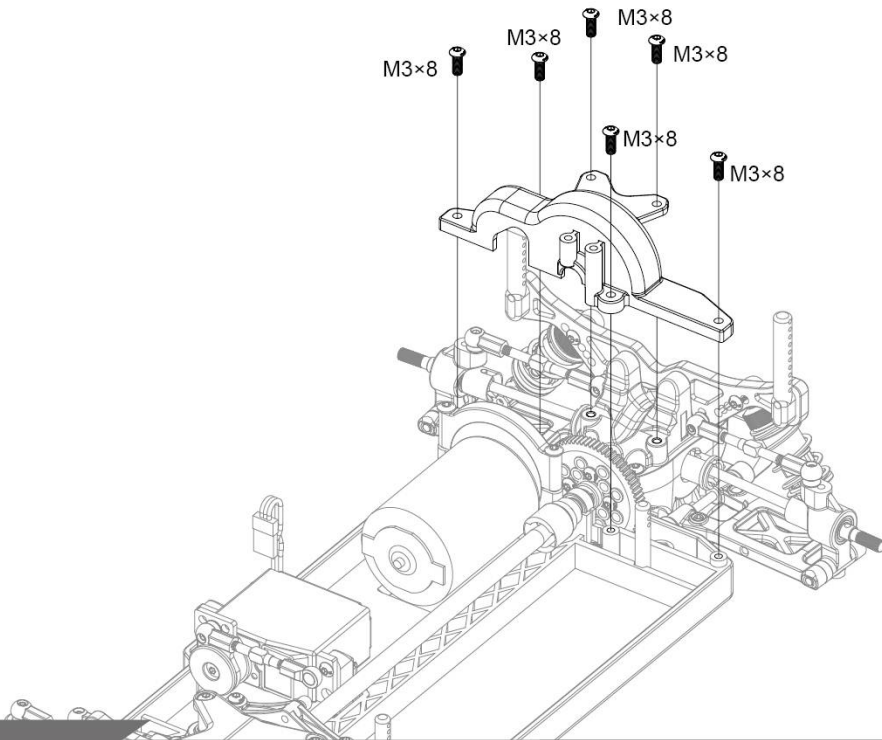
Insert a sheet of paper before installing.




25

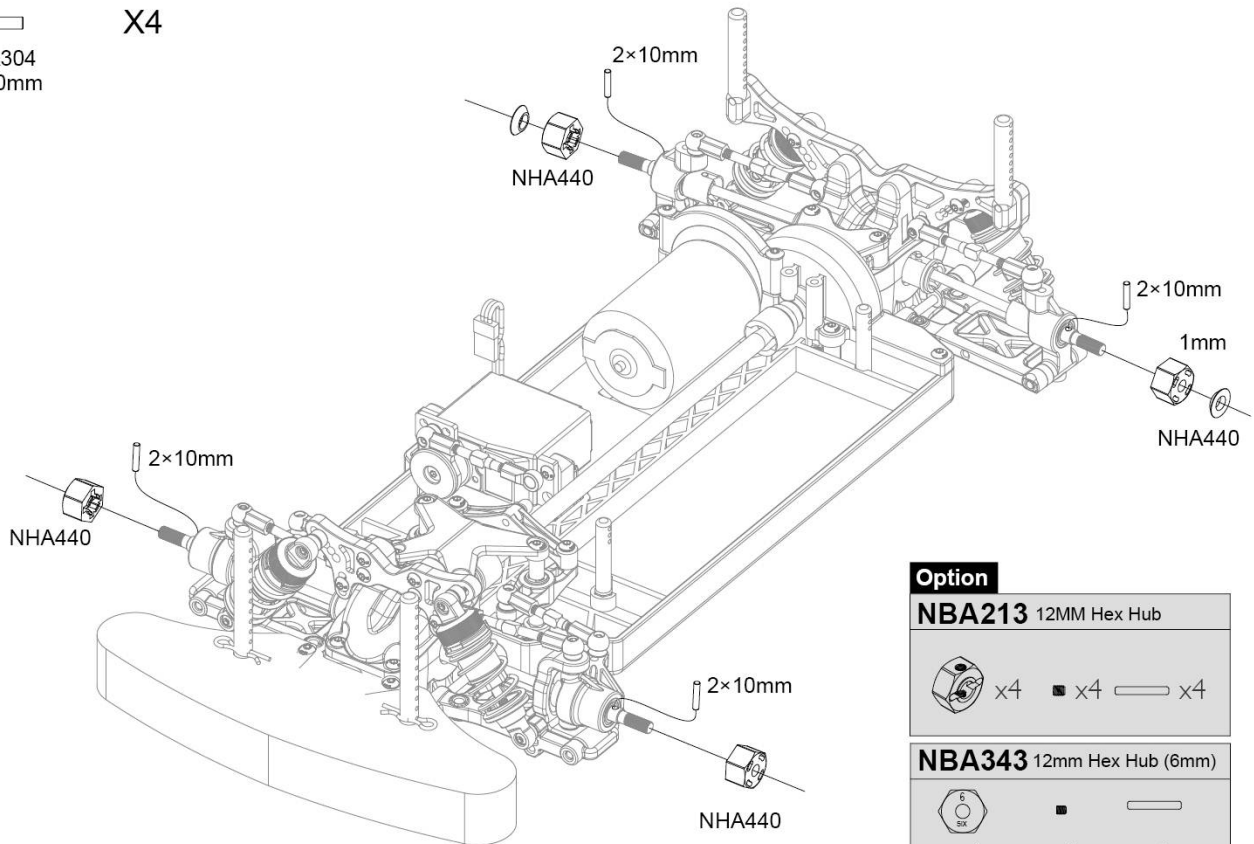
T410

 X6
NBA282
M3×8mm



26

 X4
NBA304
2×10mm



Option

NBA213 12MM Hex Hub



NBA343 12mm Hex Hub (6mm)



NBA344 12mm Hex Hub (7mm)





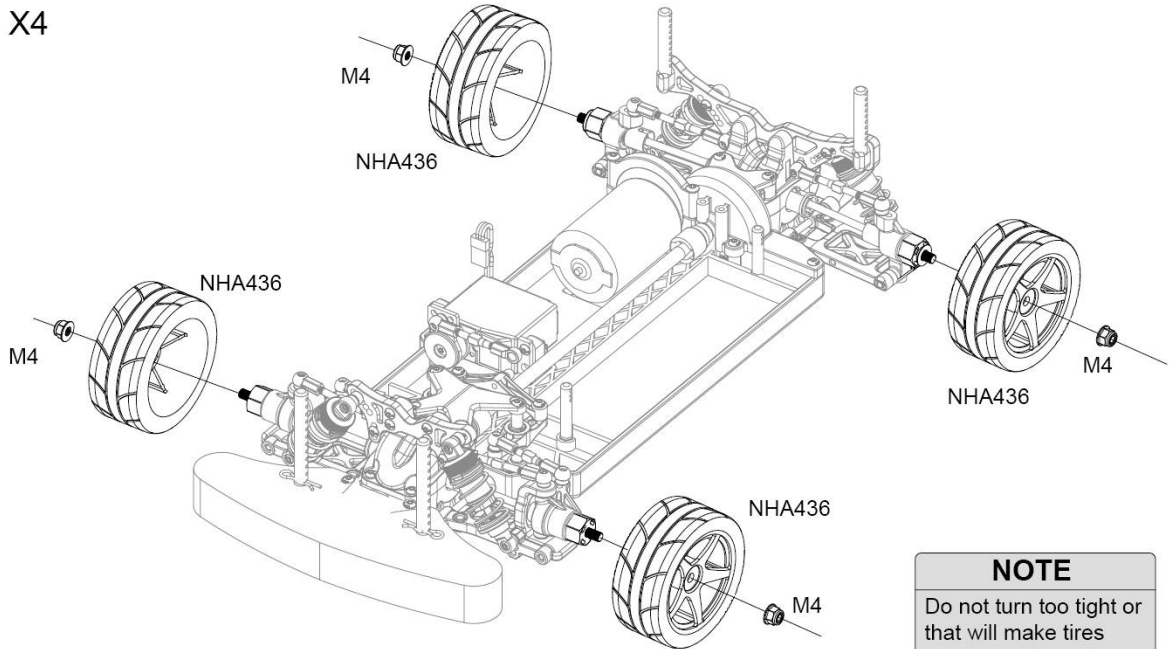
27

T410



NBA295
M4

X4



NOTE

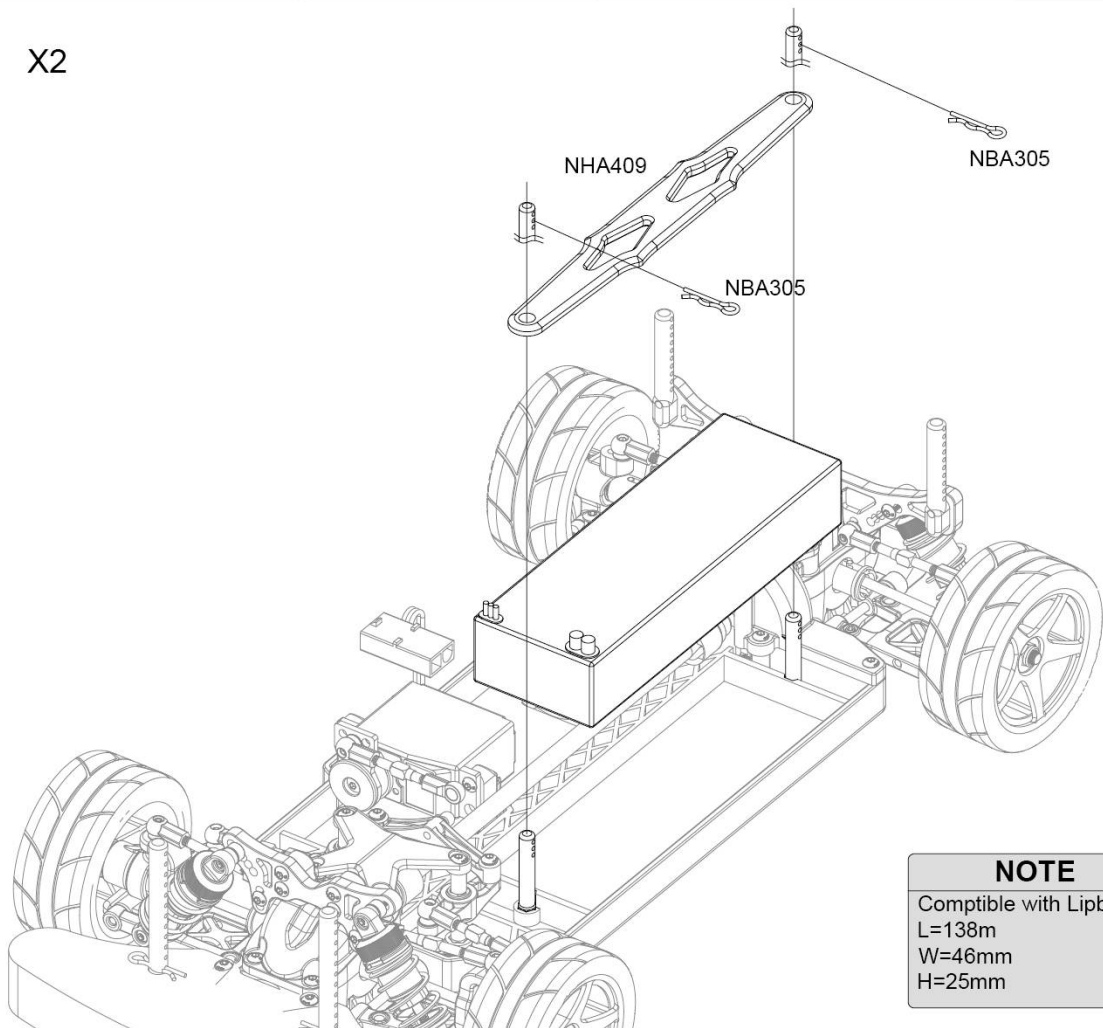
Do not turn too tight or that will make tires running not smooth.

28



NBA305

X2



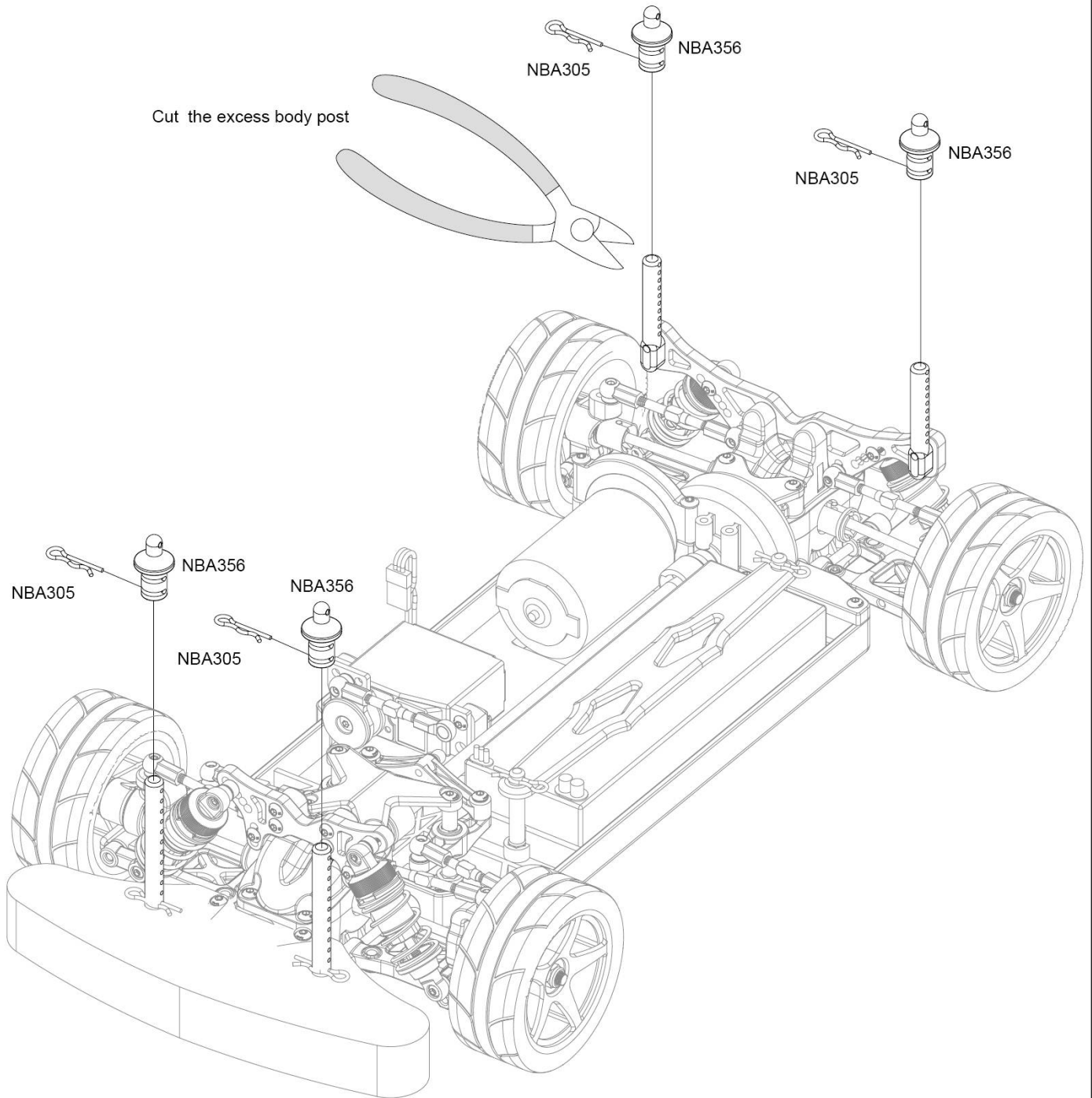
NOTE

Comptible with Lipbattery
L=138m
W=46mm
H=25mm



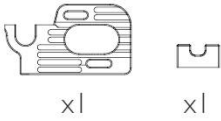
X4

NBA305

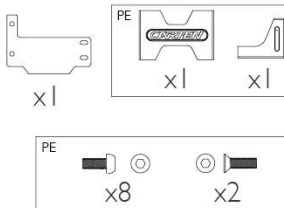
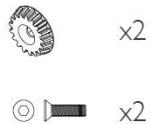
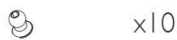
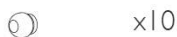


GEAR RATIO

SPUR GAER	T410R	T410
72	2.35	2.47
PINION GEAR	BALL DIFF (40/17) GEAR RATIO	GERA DIFF(42/17) GEAR RATIO
21	8.07	8.47
22	7.70	8.08
23	7.37	7.73
24	7.06	7.41
25	6.78	7.11
26	6.52	6.84
27	6.27	6.59
28	6.05	6.35
29	5.84	6.13
30	5.65	5.93
31	5.47	5.74
32	5.29	5.56
33	5.13	5.39
34	4.98	5.23
35	4.84	5.08
36	4.71	4.94
37	4.58	4.81
38	4.46	4.68
39	4.34	4.56
40	4.24	4.45
41	4.13	4.34
42	4.03	4.23
43	3.94	4.14
44	3.85	4.04

NBA201 Motor Mount

NBA204 Drive Shaft And Spur Gear Hub (For Ball Diff)

NBA205 Drive Shaft And Spur Gear Hub (For Gear Diff)

NBA206 Servo Mount Set

NBA207 17T Metal Bevel Gear (Gear Diff)

NBA210 4.8x6 mm Ball Stud

NBA211 Pivot Ball Stud

NBA213 12MM Hex Hub

NBA215 39T-48P Pinon Gear (Aluminum)

NBA216 31T-48P Pinon Gear (Metal)

NBA217 31T-48P Pinon Gear (Aluminum)

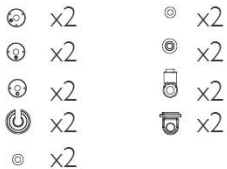
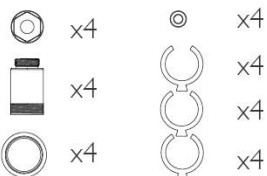
NBA218 27T-48P Pinon Gear (Metal)

NBA219 Shock Parts(O-rings)

NBA220 Shock Body sets (Aluminum)

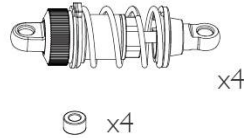
NBA221 Shock shafts

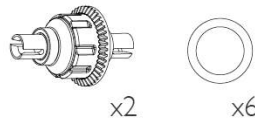
NBA222 Shock Body (Aluminum)

NBA223 Shock Parts

NBA224 Plastic Shock

NBA225 Shock spring (1.2X22mm) Blue-Hard

NBA226 Shock spring (1.2X22mm) Yellow-Medium

NBA227 Shock spring (1.2X22mm) Red-Soft

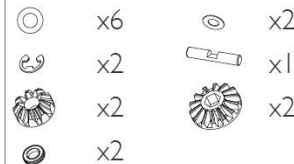
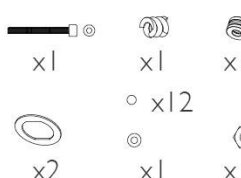
NBA228 Shock Set(Plastic)

NBA229 Shock Set (Aluminum)

NBA230 Gear Differential

NBA231 Gear Diff Case

NBA232 42T Bevel Gear (Metal)

NBA233 Gear Diff Cup Joint

NBA234 Gear Diff Oring

NBA235 Gear Diff Bevel Gear Set

NBA236 Ball Diff Parts Set

NBA237 Diff Ball (3/32)

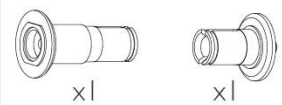
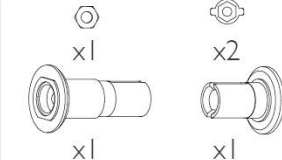
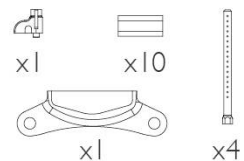
NBA238 Ball Diff Screw Set

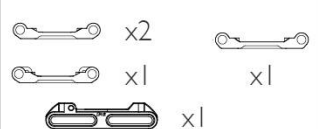
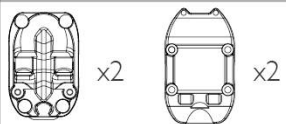
NBA239 Ball Diff Shim

NBA240 Thrust Bearing

NBA241 Diff gears (Ball Diff)

NBA242 Diff O-rings (Ball Diff)

NBA243 Ball Diff cup joint (Plastic)

NBA244 Ball Diff cup joint (Metal)

NBA245 Front Bumper Hold And Body Mount

NBA247 Ball End (4.8mm)

NBA248 Suspension Mount Parts

NBA249 Gear box


NBA252 Spur Gear 72T



x1

NBA253 Hex Hub (5MM)



x4



x4

NBA254 Servo Saver



x1



x1



x1



x1



x2



x1

NBA255 Cup Jiont



x3



x2



x2

NBA256 Bumper For Sedan Body



x1

NBA257 Bumper For Hatchback Body



x1

NBA258 Battery Strap



x2

NBA259 Antenna Pipe



x1



x1

NBA274 Battery Holder



x2

NBA275 Body Mount Plate



x2

NBA276 Servo Plate



x1

NBA277 Bumper Plate (For Hatchback Body)



x1

NBA278 Bumper Plate (For Sedan Body)



x1

NBA279 Screw Set - FH M3x6



x10

NBA280 Screw Set - FH M3x8



x10

NBA281 Screw Set - BH M3x6



x10

NBA282 Screw Set - BH M3x8



x10

NBA283 Screw Set - BH M3x10



x10

NBA284 Screw Set - BH M3x12



x10

NBA285 Screw Set - BH M3x18



x10

NBA286 Screw Set - FH M2x8



x10

NBA287 Set Screw M3x3



x10

NBA288 Set Screw M3x4



x10

NBA289 Set Screw M3x8



x10

NBA290 Set Screw M3x10



x4

NBA291 Set Screw M3x12



x10

NBA292 Set Screw M3x18



x10

NBA293 Set Screw M3x20



x10

NBA294 M3 Nut



x10

NBA295 M4 Nut



x4

NBA296 Bearing 3X6X2.5



x4

NBA297 Bearing 5*8*2.5



x2

NBA298 Bearing 5X10X4



x8

NBA299 Bearing 10X15X4



x4

NBA300 Spacer Set 3X6X2.5



x4

NBA301 Washer (3*6.5*0.5 mm)



x10

NBA302 Washer (3*8*0.5 mm)



x10

NBA303 E-Clip



x5

NBA304 Pin2X10



x10

NBA305 Body pinS



x12

NBA306 O-Ring



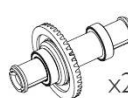
x10

NBA307 Washer (11*14*0.2 mm)



x10

NBA308 Differential (Plastic)



x2



x1



x6

NBA309 Ball Differential (Metal)



x1



x1

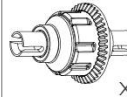


x1



x3

NBA310 Gear Differential Set



x2



x1



x1



x6

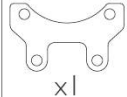


x2



x2

NBA312 Fan Holder (For 30mm Fan)



x1



x2



x2



x4



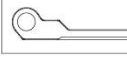
x2

NBA313 Pivot Block (ALUMINUM) 3°



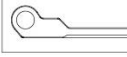
x1

NBA314 Pivot Block (ALUMINUM) 0°



x1

NBA315 Pivot Block (ALUMINUM) 2.5°



x1

NBA318 Aluminum Hex 5.5 x 10mm



x10

NBA321 Solid Axle (40T/17T Plastic)



x2



x2



x2



x3



x2



x1



x3

NBA322 Plastic 40T/17T Bevel Gear (For Solid Axle)



x2



x2

NBA323 Solid Axle (42T/17T Metal)



x1



x1



x1



x4



x2



x2



x3

NBA325 42T Metal Bevel Gear (for Solid Axle)



x1



x4

NBA326 Metal Center Cup Joint (For Ball Diff)



NBA327 Metal Center Cup Joint (For Gear Diff)



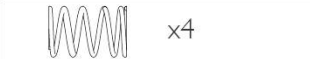
NBA332 Strong Ball End 4.8mm (4PCS)



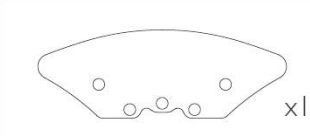
NBA334 Strong Ball End 4.8mm (Long 4PCS)



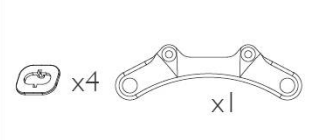
NBA335 Shock spring (1.2X22mm) Green-Soft



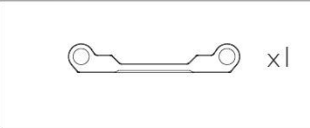
NBA336 Bumper For Touring Car Body



NBA337 Bumper Plate & Body Post Spacer



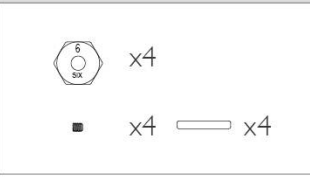
NBA338 Pivot Block (ALUMINUM) 2.0"



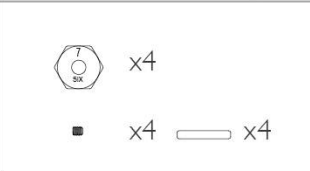
NBA342 Body Post (Rear)



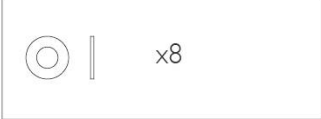
NBA343 12mm Hex Hub (6mm)



NBA344 12mm Hex Hub (7mm)



NBA346 ALUMINUM SPACER 3*6*0.5 (8PCS)



NBA347 ALUMINUM SPACER 3*6*1.0 (8PCS)



NBA348 ALUMINUM SPACER 3*6*2.0 (8PCS)



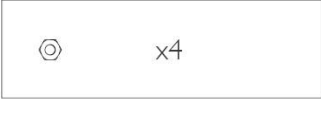
NBA349 ALUMINUM SPACER 3*6*3.0 (8PCS)



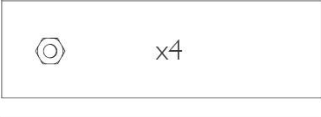
NBA350 ALUMINUM SPACER 3*6*4.0 (8PCS)



NBA351 M3 Nylon Lock Nut(4PCS)



NBA352 M4 Nylon Lock Nut(4PCS)



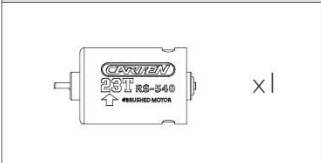
NBA353 M4 Serrated Lock Nut(4PCS)



NBA354 Solid Axle Steel Cup Joint



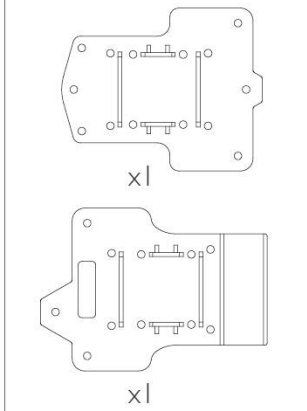
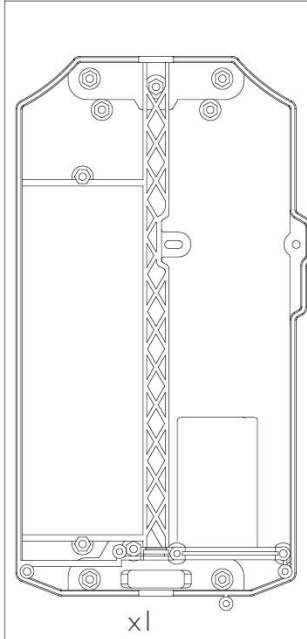
NBA355 23T Brushed Motor



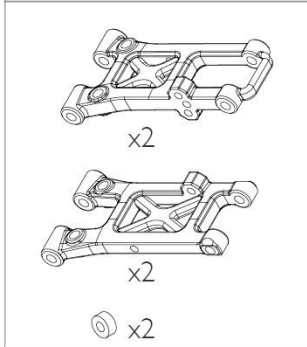
NBA356 Extended Body Post(6mm)



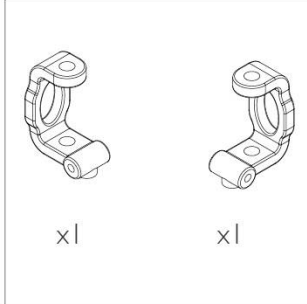
NHA401 Chassis



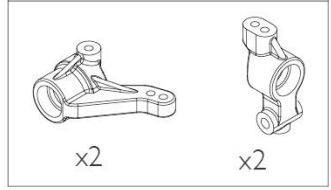
NHA402 Arms(F/R)



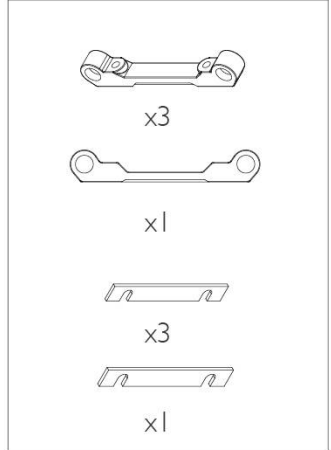
NHA403 C Hub 4° (L/R)



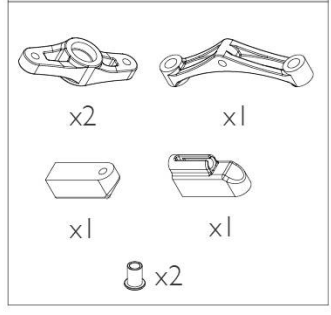
NHA404 Hub Carrier



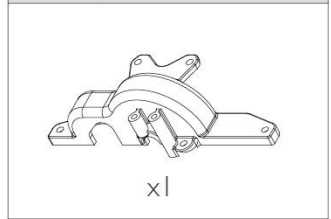
NHA405 Suspension Mount Parts



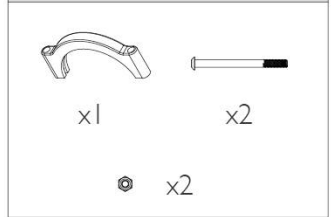
NHA406 Steering Track



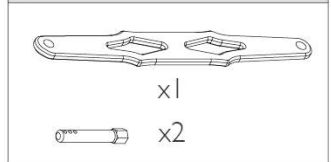
NHA407 Gear box Cover



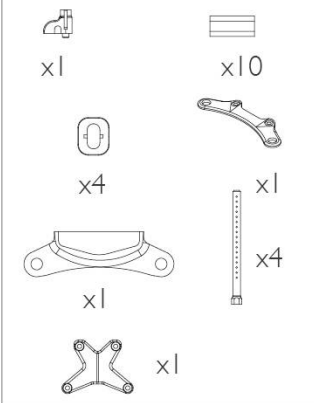
NHA408 Motor Plate Holder



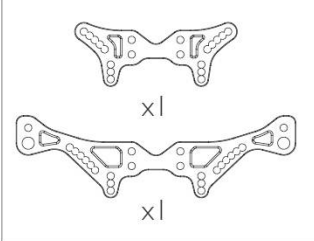
NHA409 Battery Holder



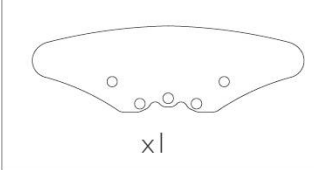
NHA410 Front Bumper Holder Set



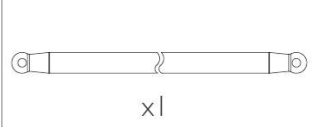
NHA411 T410 Shock Tower



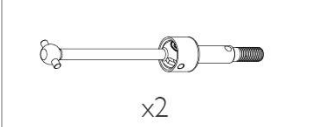
NHA412 Bumper



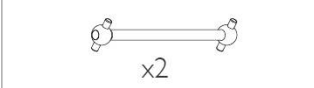
NHA413 Center Drive Shaft



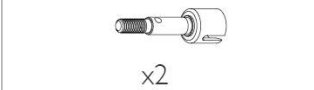
NHA414 CVD Drive Shaft



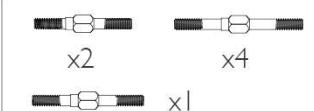
NHA415 Dog Bone/45mm



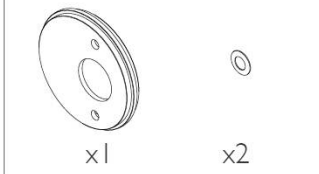
NHA416 Axle



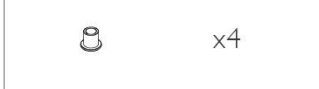
NHA417 Turnbuckle Set



NHA418 Motor Plate (T410)



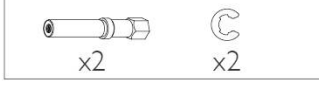
NHA419 Steering Bush



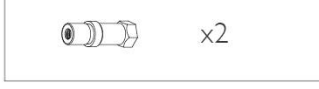
NHA420 Ball stud 4.8x9



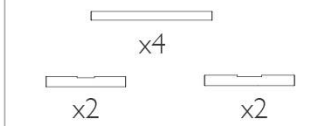
NHA421 Steering Post(T410)



NHA422 Steering Post(T410R)



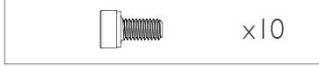
NHA423 Suspension Shaft Set



NHA424 Cap Head Screw M2x6



NHA425 Cap Head Screw M3x6



NHA426 Cap Head Screw M3x8



NHA427 Cap Head Screw M3x10



NHA428 Cap Head Screw M3x12



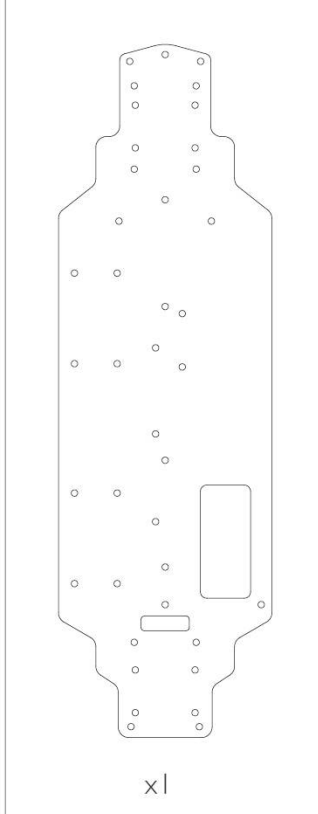
NHA429 Flat Screw M3x14



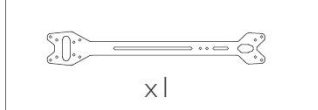
NHA430 Set Screw M4x10



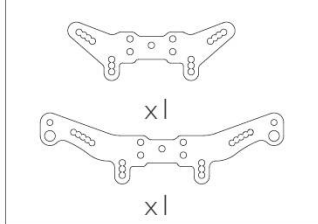
NHA431 T410R-Chassis



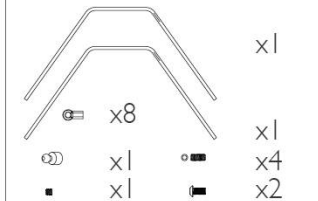
NHA432 T410R-Upper Deck



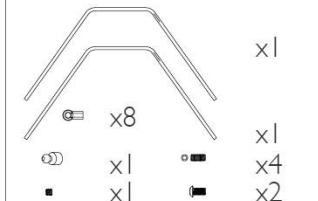
NHA433 Front Shock Tower



NHA434 Sway Bar-1.4mm



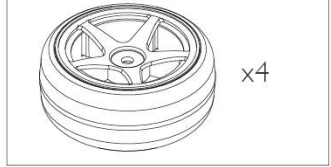
NHA435 Sway Bar-1.6mm



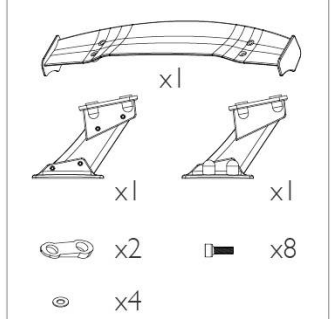
NHA436 1/10 Tires 5 Spoke Wheel-White(26mm)



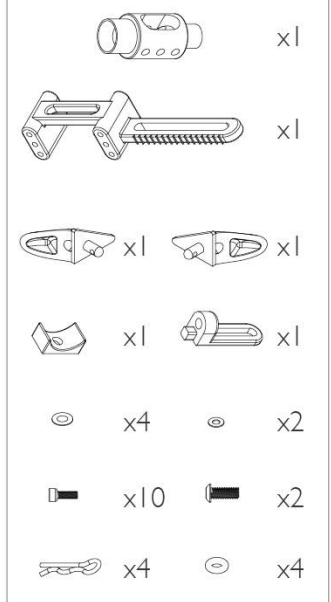
NHA437 1/10 Drift Tires 5 Spoke Wheel-White(26mm)



NHA438 Wing Set



NHA439 Back mirror and exhaust pipe


















NHA440 12mm HEX (T 5mm/8mm)

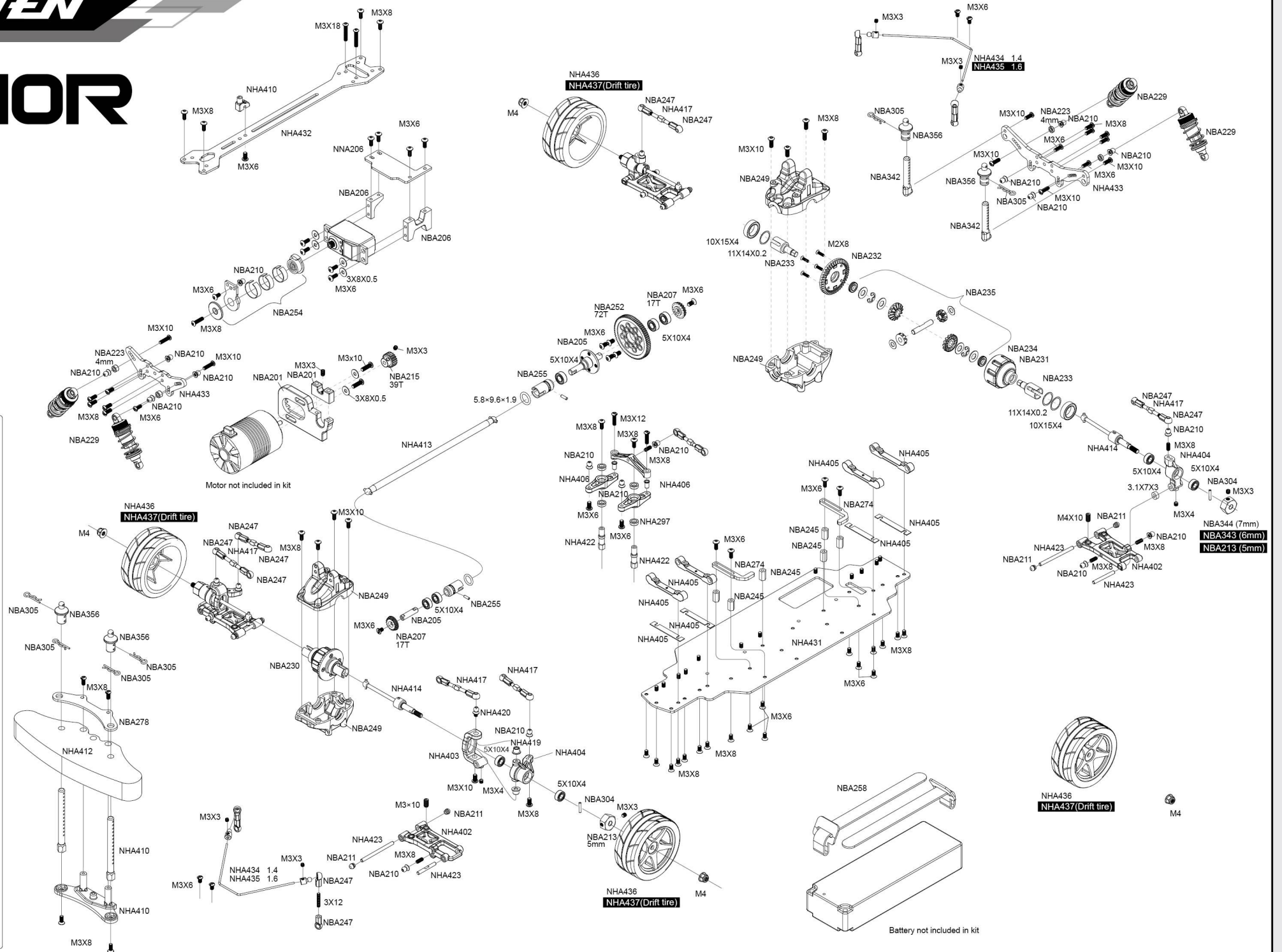


NHA441 5x8x2.5 Metal bushing



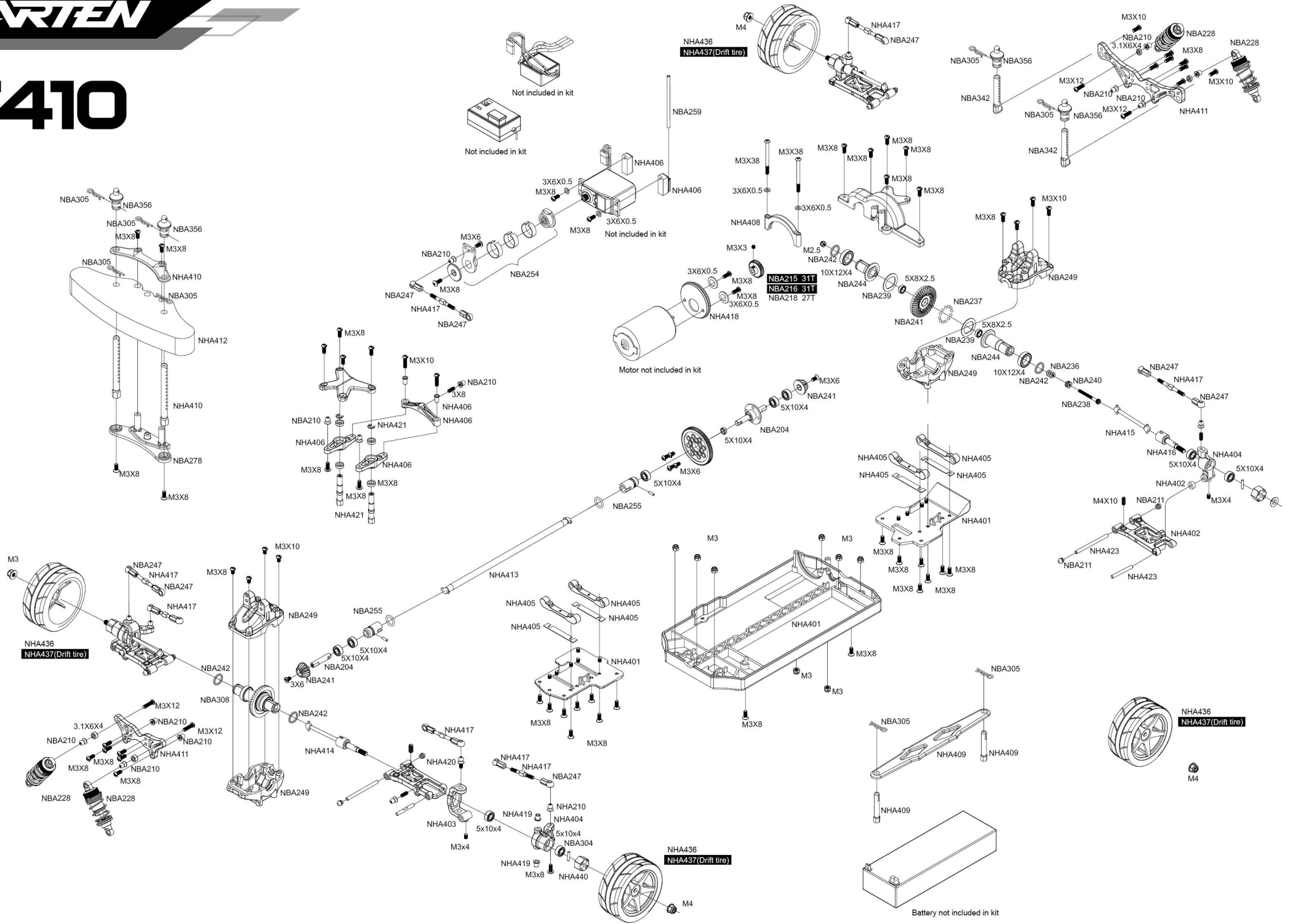
T410R

- NBA229**
-  NBA220
 -  NBA223
 -  NBA219
 -  NBA221
 -  NBA222
 -  NBA220
 -  NBA219
 -  NBA223
 -  NBA220
 -  NBA225
 -  NBA226
 -  NBA227
 -  NBA227
 -  NBA223
 -  NBA334(Long)



T410

- NBA228
- NBA224
- NBA223
- NBA219
- NBA223
- NBA221
- NBA224
- NBA219
- NBA223
- NBA224
- NBA225
- NBA226
- NBA227
- NBA335
- NBA223
- NBA334(Long)





1/10 EP RC TOURING CAR

T410R

Revolution

T410

Standar



CARTEN RC Website

✉ service@carten-rc.com