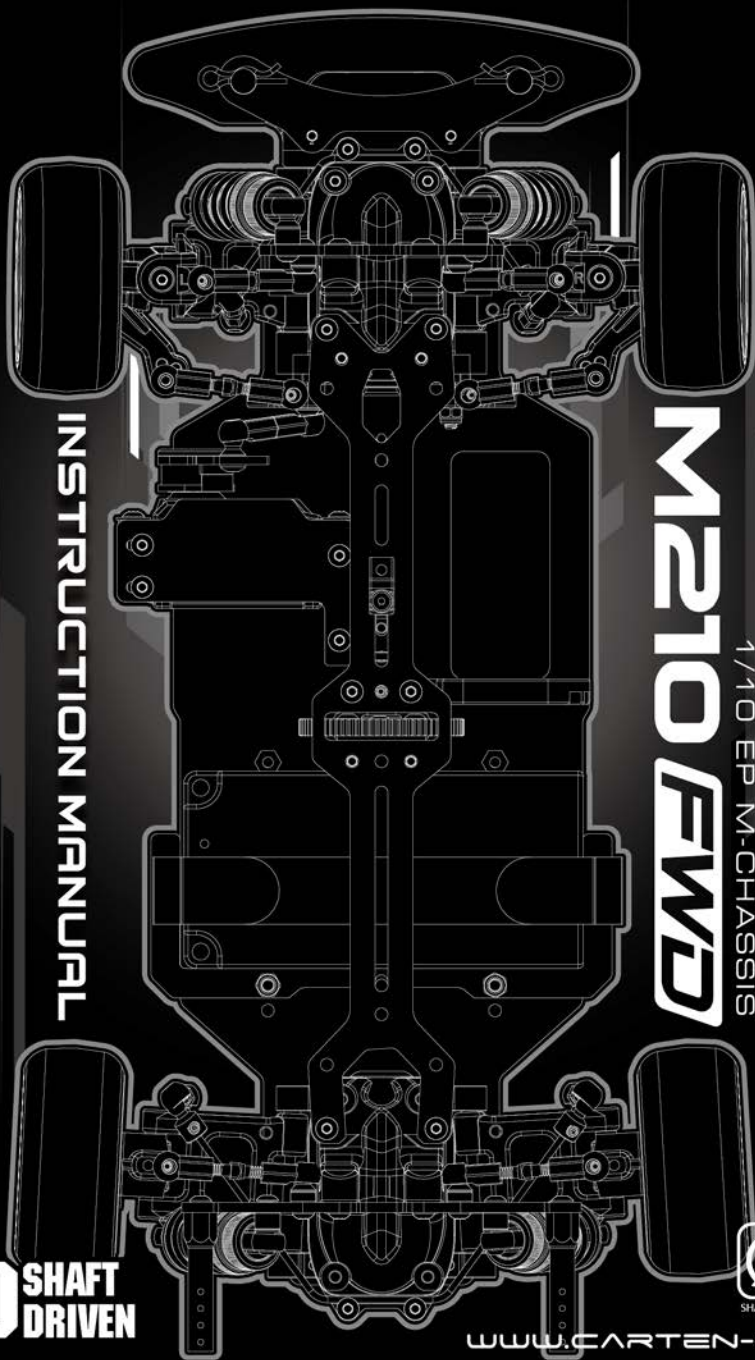


CARTEN[®]



INSTRUCTION MANUAL

1/10 EP M-CHASSIS
M210 4WD

4WD SHAFT
DRIVEN



SHAFT DRIVEN



ELECTRICAL POWER

WWW.CARTEN-RC.COM

CAUTION

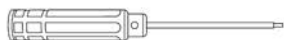
M210 FWD

Notice: Thank you for choosing the carten M210FWD

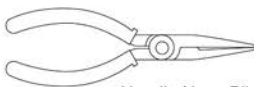
The following items are needed for completion of the KIT, They are not included with this kit (unless noted), and should be obtained from your local hobby shop.

Be sure to read the instructions completely prior to assembly.

Tools needed To Assemble



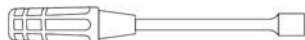
Hex Wrenches(1.5mm / 2.0mm / 2.5mm)



Needle Nose Pliers



Instant Glue



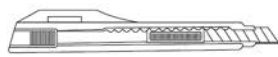
Box Wrench(5.5mm / 7mm / 10mm)



Scissors



Screw (Sement)



Hobby Knife

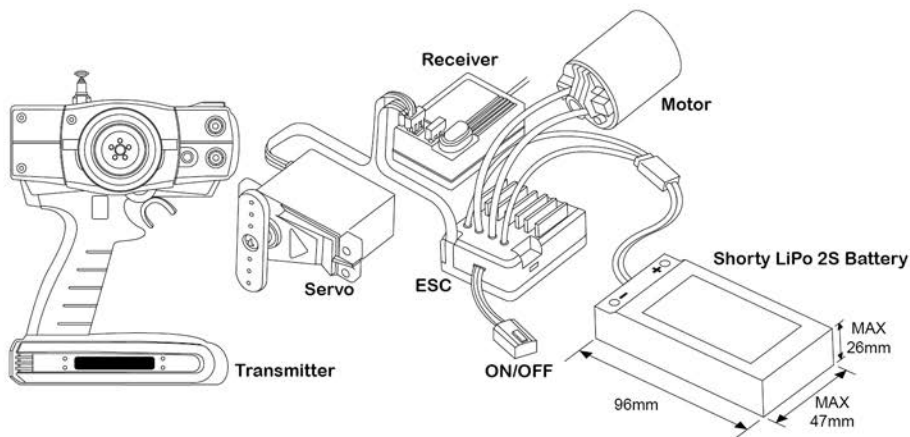


Glass or Vinyl Tape



Rubber Glue

Items Needed To Control Car



M210 FWD

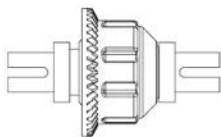
CARTEN M210FWD 1/10 EP M-CHASSIS

Specification

Drivetrain	Shaft Drive / FWD
Track Width	166 mm
Wheelbase	210/ 225 /239mm Option
Final Gear Ratio	2.47(42/17)
Spur & Pinion Gear	72/39
Tire Diameter	55mm

Accessories

Full Bearing	Alu Spur Gear Hub
Steel CVD Drive Shaft	Alu Shocks
Composite Fibre Chassis , Upper Deck , Shock Tower	Metal gear Differential
Alu Floating Servo Mount	Full turnbuckle
Alu Motor Mount	Full alu toein mount



Metal Gear Diff



Aluminum
Oil Shock



Aluminum
Servo Mount Set



Aluminum
Hex Hub



Turnbuckle

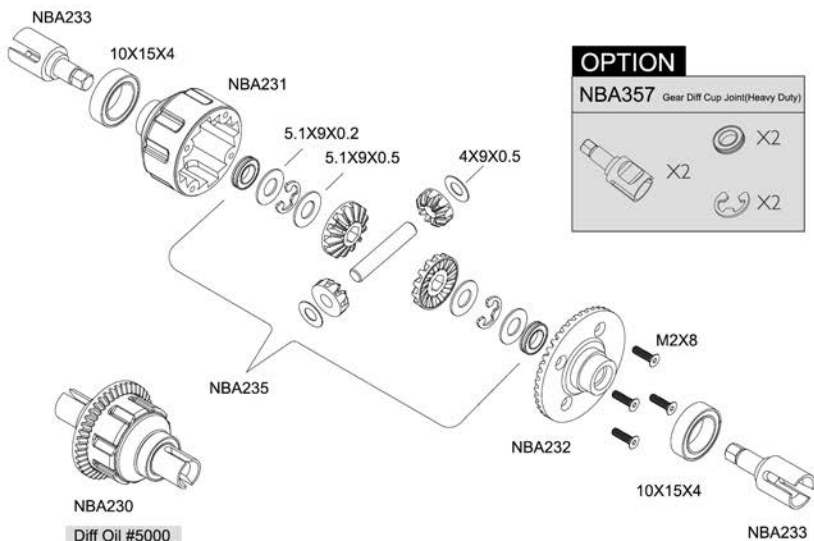


CVD Drive Shaft

M210 FWD

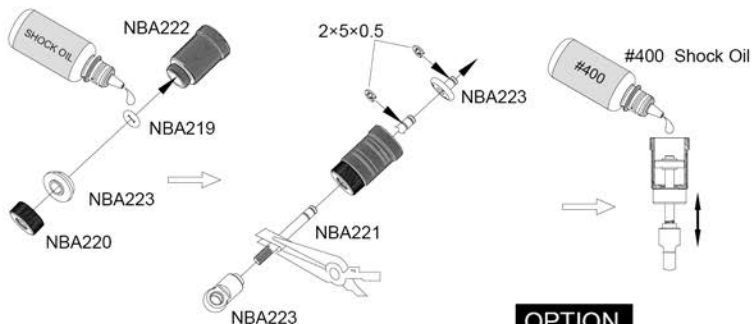
1

- X2
NBA235
5.1×9×0.5mm
- X2
NBA235
5.1×9×0.2mm
- X2
NBA235
4×9×0.5mm
- X2
NBA303
4.0mm
- X4
NBA286
M2×8mm
- X2
NBA299
10×15×4mm



2

- X1
NBA222
- X1
NBA220
- X2
NBA221
2×5×0.5mm
- X1
NBA221
- X1
NBA219
- X1
NBA223
- X1
NBA223
- X1
NBA223



Stand



OPTION

NBA362 Shock Spacer



NBA363 Shock Pistons-3H1.2



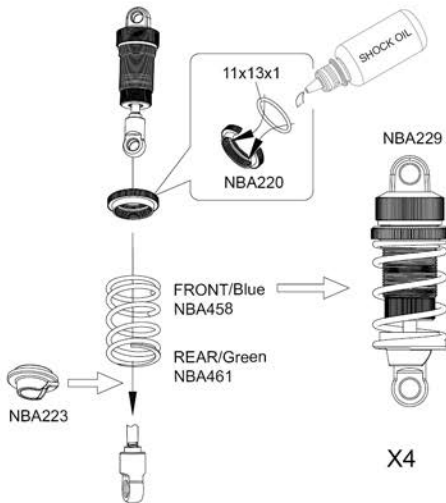
NBA364 Shock Pistons-4H1.1



M210 FWD

3

- X1
- X1
- X1
- X1
- X1
- X1
- X1

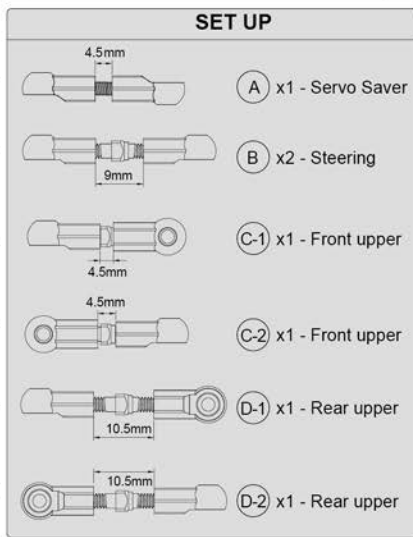


HARD ← → SOFT

NHA457 Shock Spring 1.4 (20mm) (White)	NHA458 Shock Spring 1.4 (20mm) (Blue)	NHA459 Shock Spring 1.2 (20mm) (Yellow)	NHA460 Shock Spring 1.4 (20mm) (Red)	NHA461 Shock Spring 1.4 (20mm) (Green)	NHA462 Shock Spring 1.4 (20mm) (Purple)
X4	X4	X4	X4	X4	X4
White	Blue	Yellow	Red	Green	Purple

4

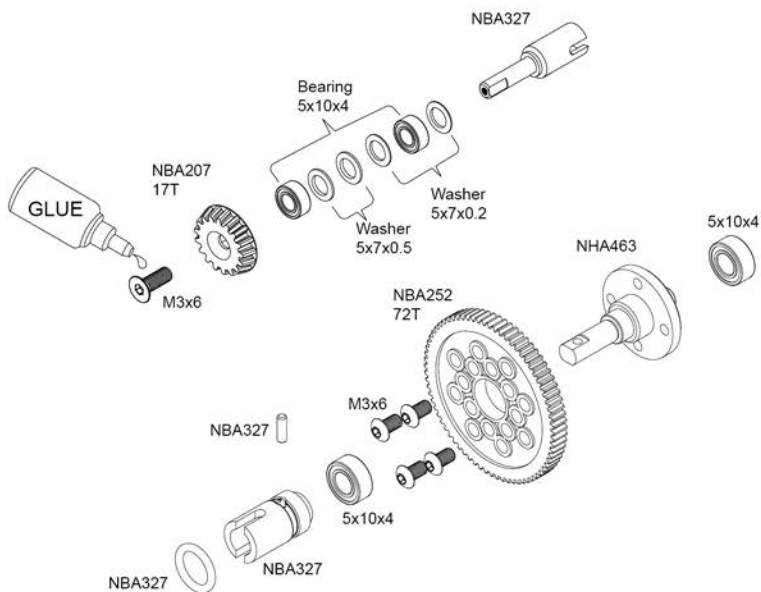
- x14
- x3
- x4
- NBA247 M3x12 NBA208 NBA247
- NBA247 M3x19 NBA208 NBA247
- NBA247 M3x12 NBA208 NBA247
- NBA247 M3x12 NBA208 NBA247
- NBA247 M3x19 NBA208 NBA247
- NBA247 M3x19 NBA208 NBA247



M210 FWD

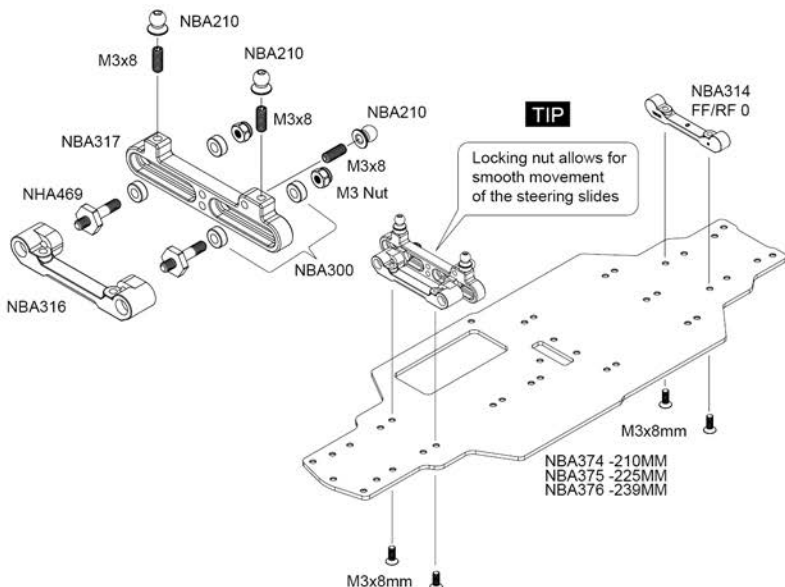
5

-  x2
NHA442
5x7x0.5
-  x2
NHA443
5x7x0.2
-  x2
NBA255
2.0x7.6
-  x2
NBA255
Oring 5.8x9.6x1.9
-  x4
NBA298
5x10x4
-  x2
NBA282
M3x8
-  x4
NBA279
M3x6mm



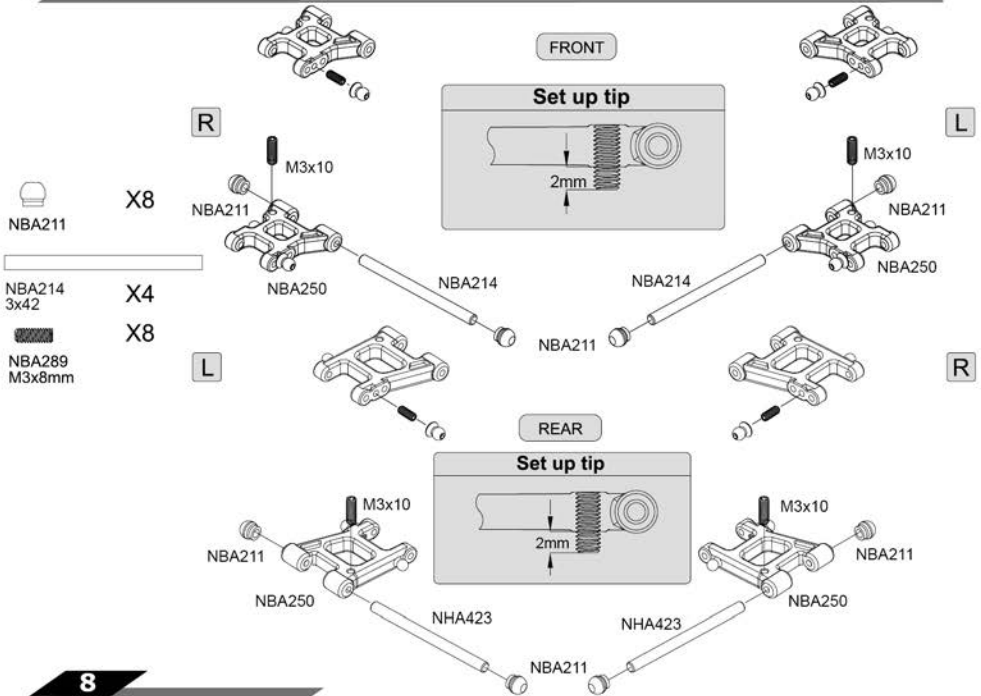
6

-  x4
NBA300
3x6x2.5
-  x1
NBA294
M3 Nut
-  x3
NBA210
-  x3
NBA289
M3x8
-  x4
NBA280
M3x8

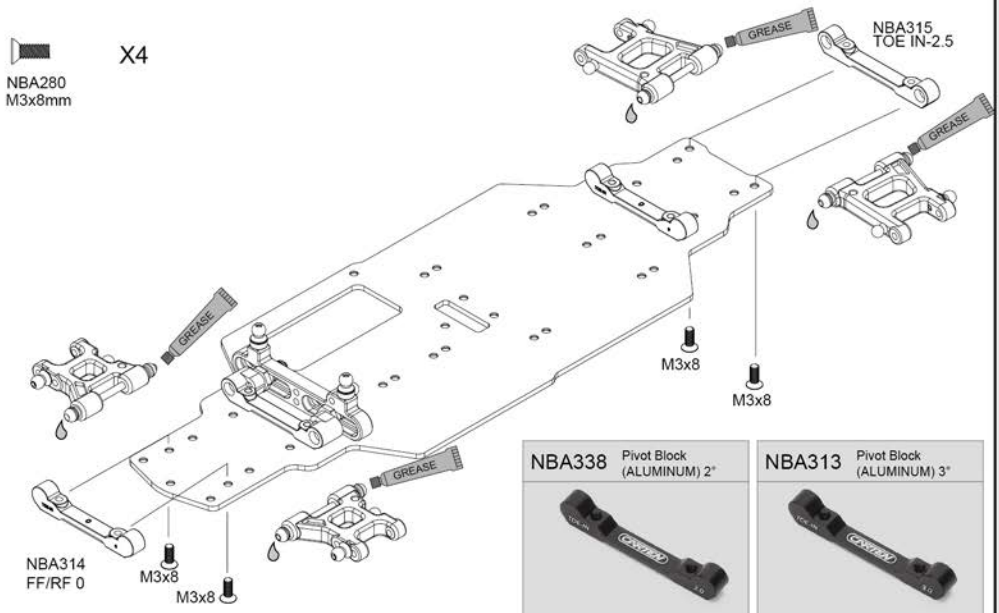


7

M210 FWD



8



9

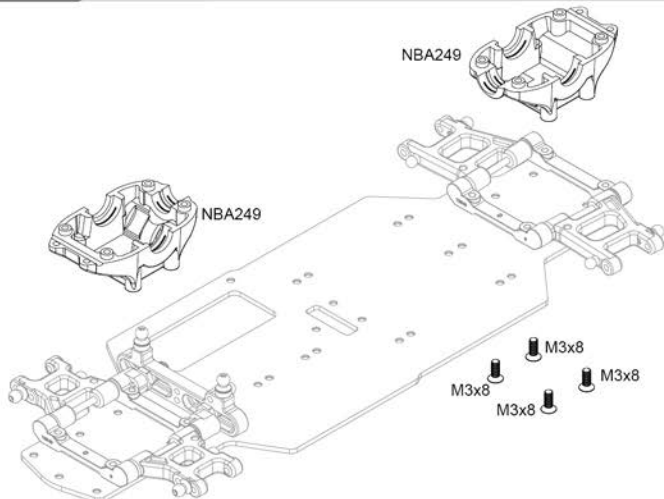
M210 FWD



X8

NBA280
M3x8

NBA249



10



X2

NBA279
M3x6mm



X1

NBA282
M3x8mm



X1

NBA210
3x8mm



X9

NBA281
M3x6mm



X1

(Black)
NBA254



X2

(Silver)
NBA254



X4

3x6x0.5

M3x6

M3x6

NBA276

NBA206

(Kit does include)

NBA206

M3x6

NBA254

M3X6

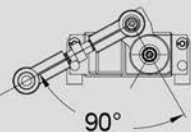
3x6x0.5

3x6x0.5

M3X6

M3X6

NOTE



90°



- 1: Switch on transmitter
- 2: Connecting battery and turn on ESC switch

13

M210 FWD

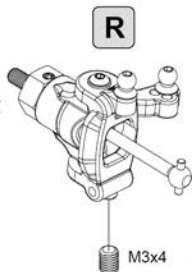
NBA288
M3x4

X2



NBA214
3x23

X2

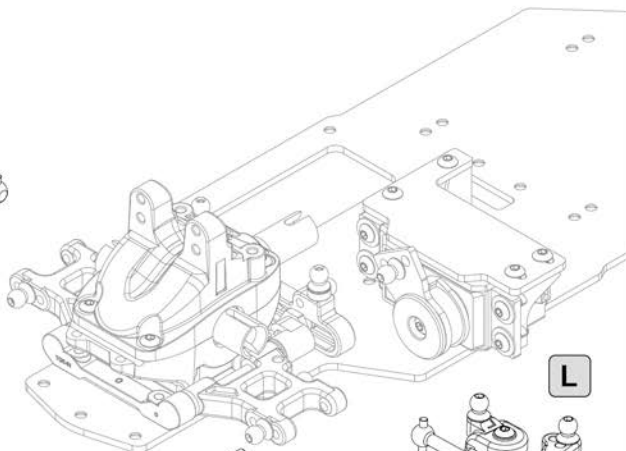


R

M3x4

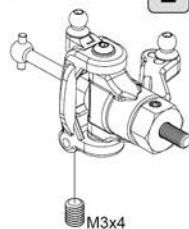
NBA214

NOTE
Tight Grub screw on the groove of the pin



L

NBA214



M3x4

14



X4

NBA298
5x10x4



X2

NBA210



X2

NHA468



NBA290
M3x10



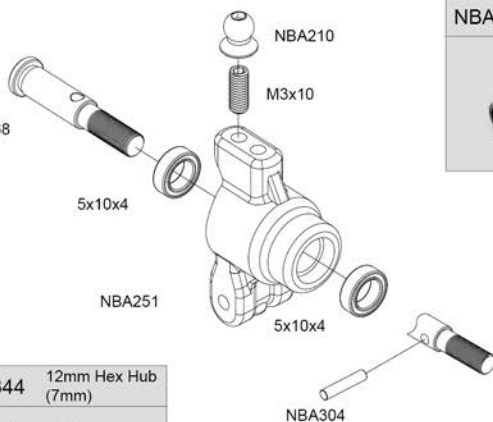
X2

NBA304
2x10



X2

NBA287
M3x3



NBA210

M3x10

5x10x4

NBA251

5x10x4

NBA304

OPTION

NBA339



OPTION

NBA343

12mm Hex Hub
(6mm)

NBA344

12mm Hex Hub
(7mm)



M3x3



NBA213 (5mm)

19

M210 FWD



NBA247

X8



NBA291
M3x12

X4



NHA434

X4



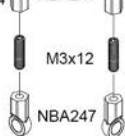
NHA434



NBA247



NHA434



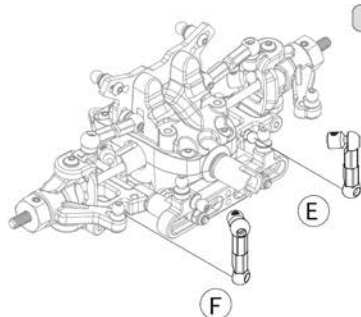
M3x12
NBA247



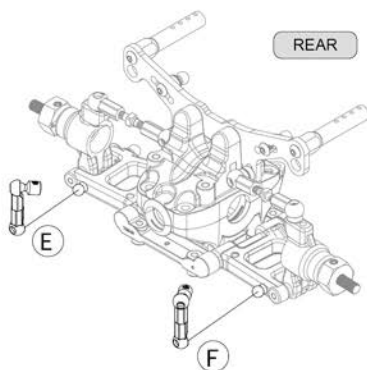
Ex2



Fx2



FRONT



REAR

20



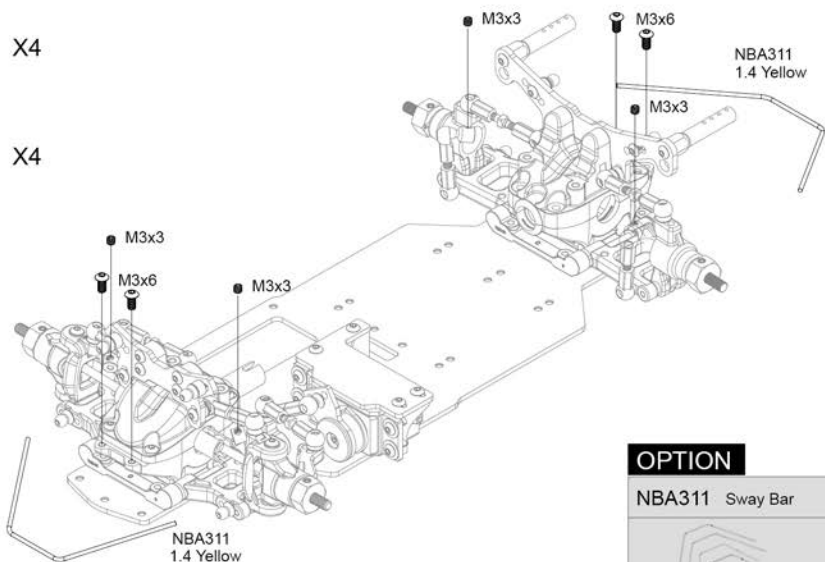
NBA287
M3x3

X4



NBA281
M3x6

X4



OPTION

NBA311 Sway Bar



21

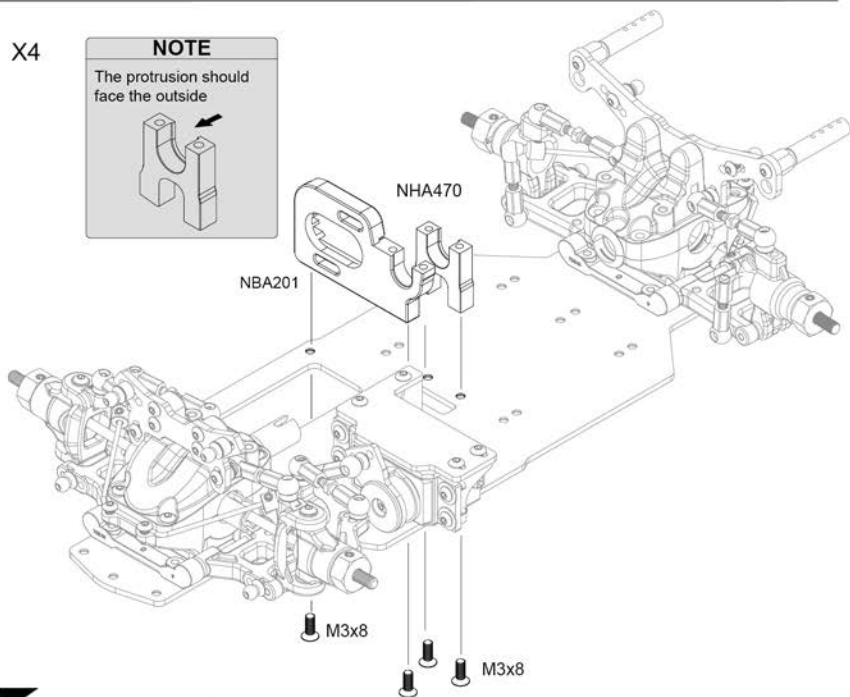


X4

NBA280
M3x8mm

NOTE

The protrusion should face the outside

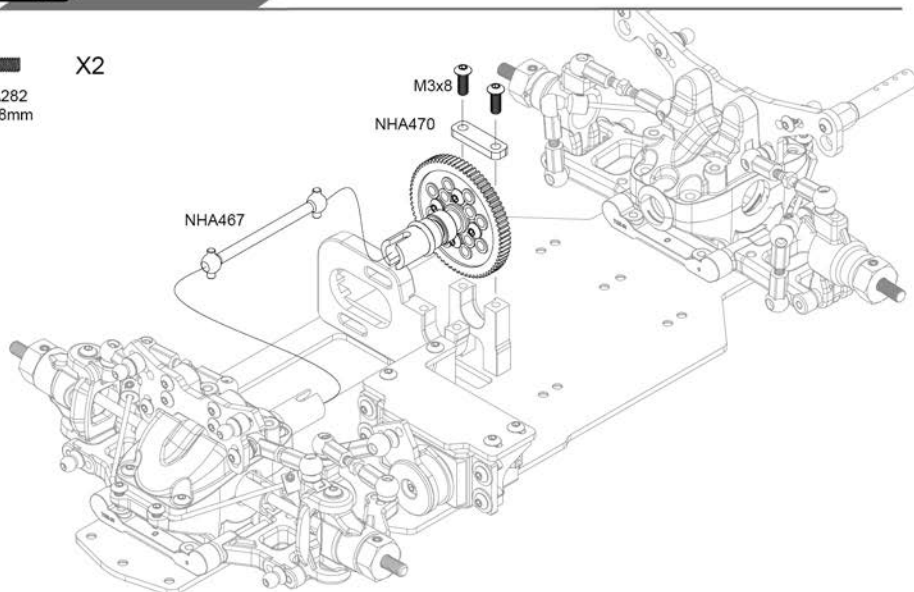


22



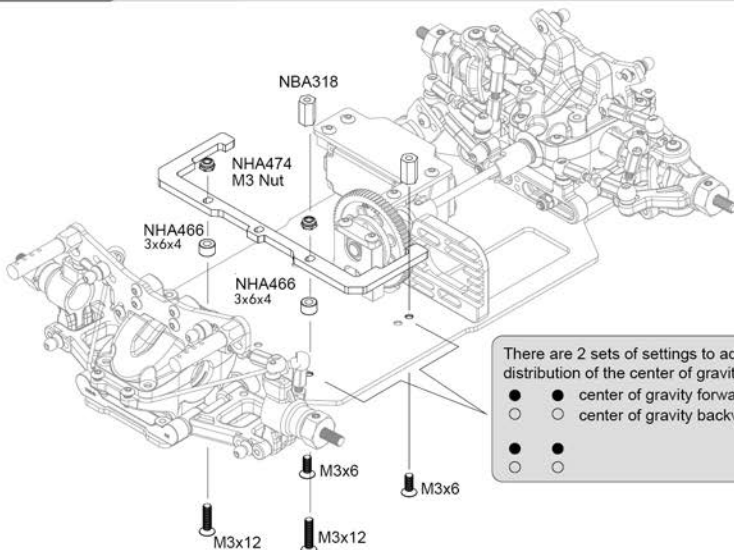
X2

NBA282
M3x8mm



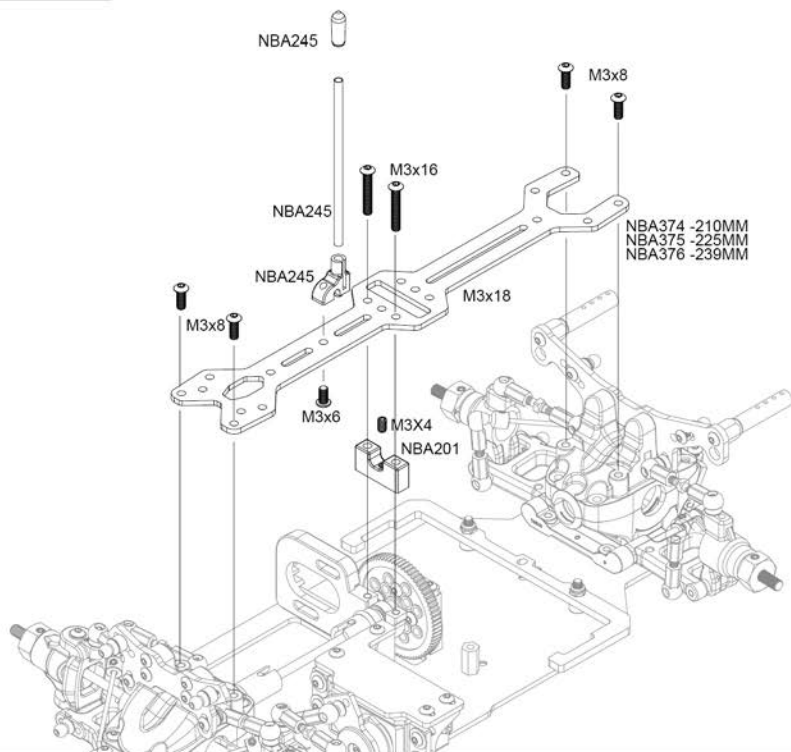
23

-  X2
NBA279
M3x6mm
-  X2
NHA466
M3x12mm
-  X2
NHA474
M3 Nut (Thin)
-  X2



24

-  X1
NBA288
M3x4
-  X1
NBA281
M3x6mm
-  X4
NBA282
M3x8
-  X2
NBA285
M3x16

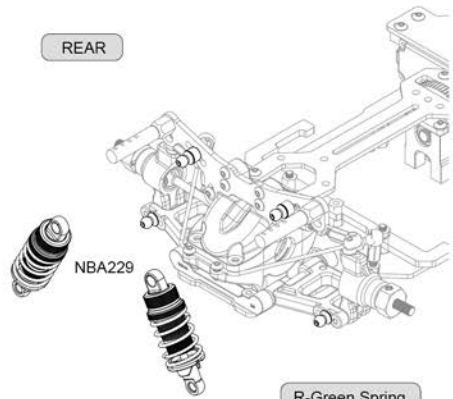
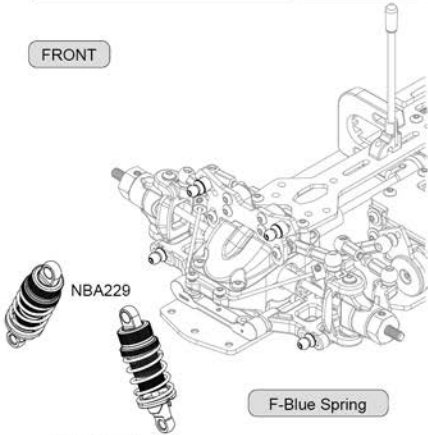


25

M210 FWD

FRONT

REAR



F-Blue Spring

R-Green Spring

26



X2

NBA305



NBA305

M3x8



X1

NBA 294
M3 Nut



NBA305

M3 Nut

NBA278



X2

NBA282
M3x8mm



NHA473



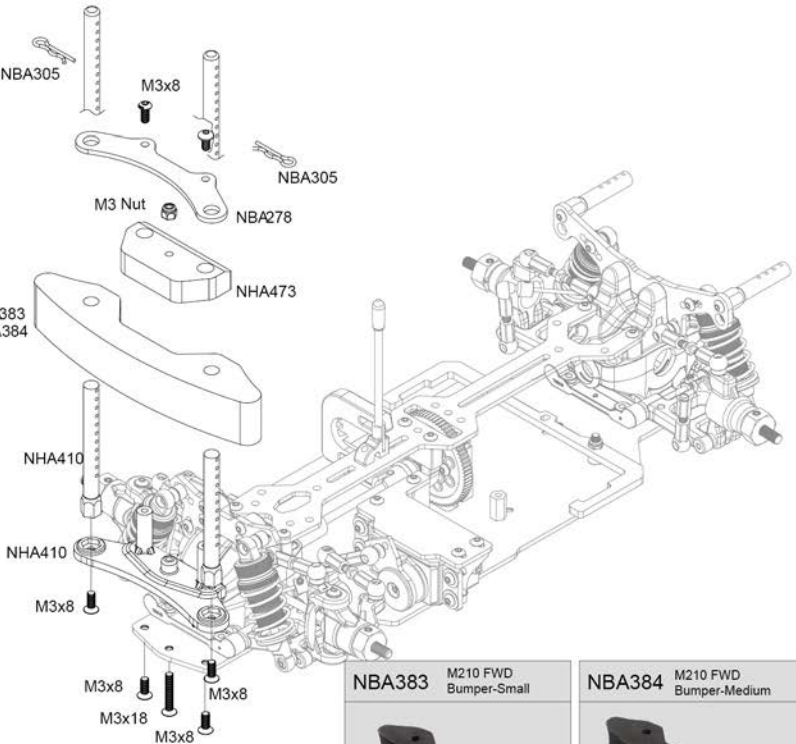
NBA383
X4 NBA384

NBA280
M3x8mm



X1

M3x18mm



NHA410

NHA410

M3x8

M3x8

M3x18

M3x8

M3x8

NBA383

M210 FWD
Bumper-Small



NBA384

M210 FWD
Bumper-Medium



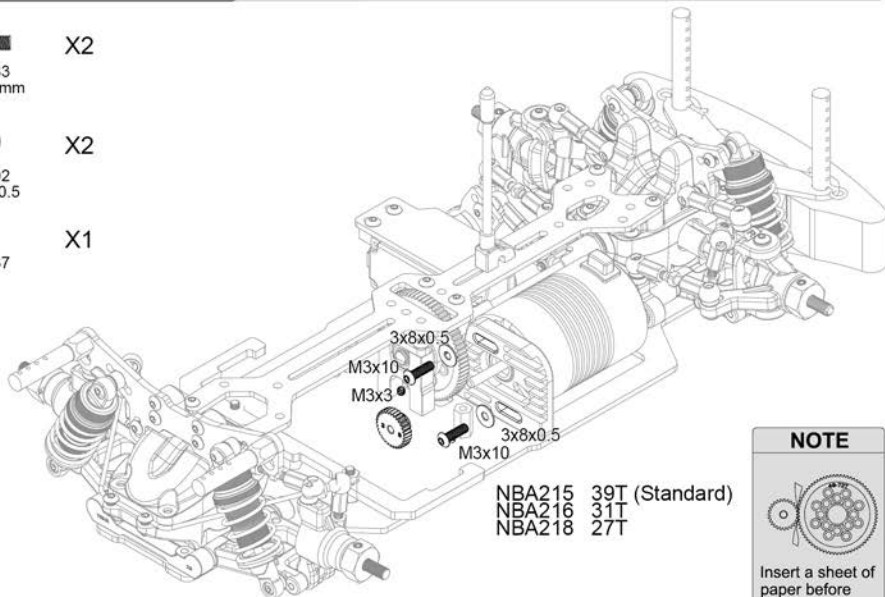
27

M210 FWD

 X2
NBA283
M3x10mm

 X2
NBA302
3.1x8x0.5

 X1
NBA287
M3x3



NBA215 39T (Standard)
NBA216 31T
NBA218 27T

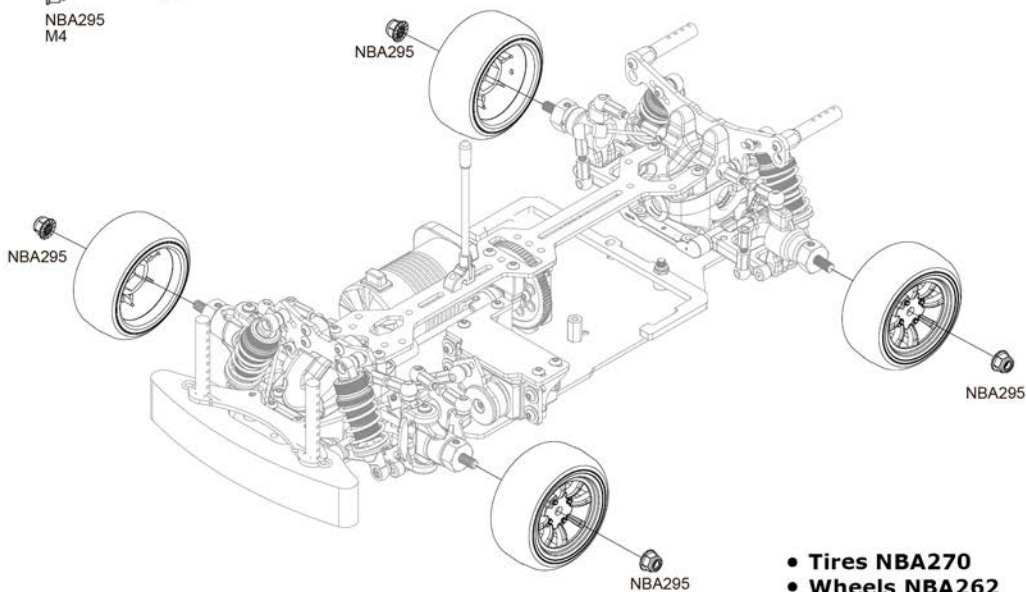
NOTE



Insert a sheet of paper before installing.

28

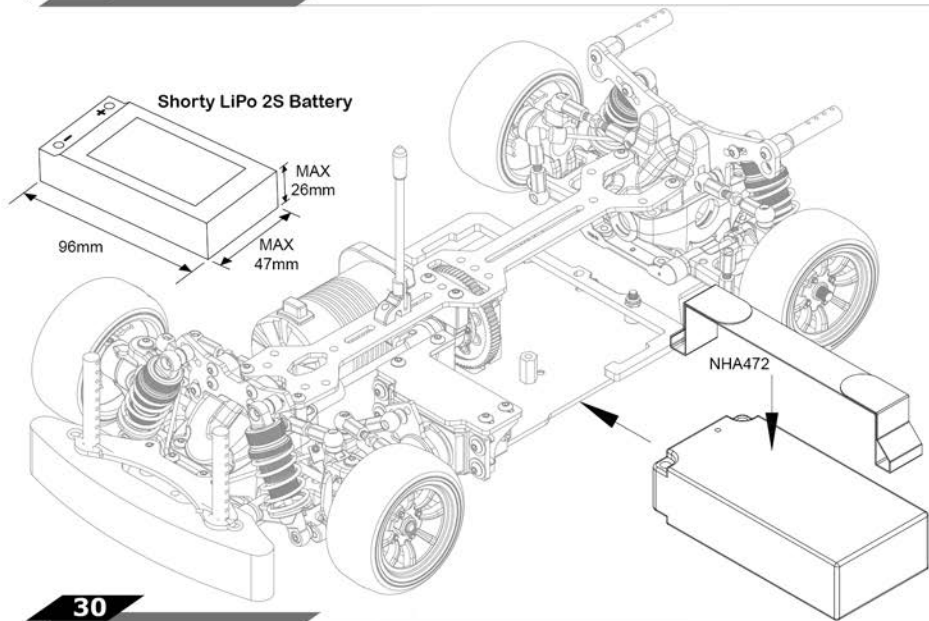
 X4
NBA295
M4



- Tires NBA270
- Wheels NBA262

29

M210 FWD



30



X4

NBA305

NBA305



NBA356



NBA305



NBA356



NBA305



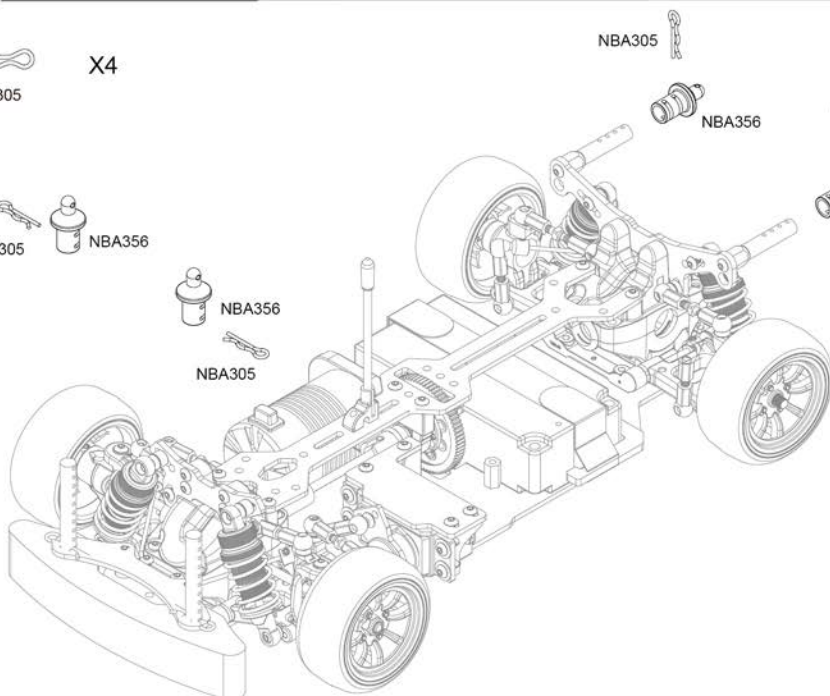
NBA356



NBA356

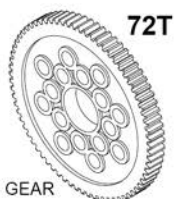


NBA305



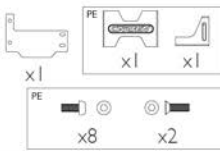
GEAR RATIO

SPUR GAER		M210 FWD	
72		2.47 (INNER GEAR RATIO)	
PINION GEAR		GERA DIFF(42/17)	GEAR RATIO
21			8.47
22			8.08
23			7.73
24			7.41
25			7.11
26			6.84
27			6.59
28			6.35
29			6.13
30			5.93
31			5.74
32			5.56
33			5.39
34			5.23
35			5.08
36			4.94
37			4.81
38			4.68
39			4.56
40			4.45
41			4.34
42			4.23
43			4.14
44			4.04



NBA201 Motor Mount

NBA202 Universal Shafts

NBA206 Servo Mount Set

NBA207 17T Metal Bevel Gear (Gear Diff)

NBA208 Tumbuckle Set (M3x12 /M3x19)

NBA209 Steering Bolt

NBA210 4.8x6 mm Ball Stud

NBA211 Pivot Ball Stud

NBA213 12MM Hex Hub

NBA214 39T-48P Pinon Gear (Aluminum)

NBA215 39T-48P Pinon Gear (Aluminum)

NBA216 31T-48P Pinon Gear (Metal)

NBA217 31T-48P Pinon Gear (Aluminum)

NBA218 27T-48P Pinon Gear (Metal)

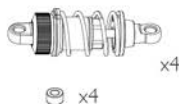
NBA219 Shock Parts(O-rings)

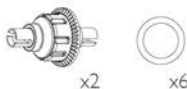
NBA220 Shock Body sets (Aluminum)

NBA221 Shock shafts

NBA222 Shock Body (Aluminum)

NBA223 Shock Parts

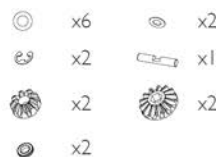
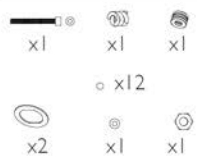
NBA228 Shock Set(Plastic)

NBA229 Shock Set (Aluminum)

NBA230 Gear Differential

NBA231 Gear Diff Case

NBA232 42T Bevel Gear (Metal)

NBA233 Gear Diff Cup Joint

NBA234 Gear Diff Oring

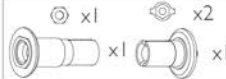
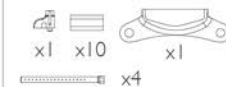
NBA235 Gear Diff Bevel Gear Set

NBA236 Ball Diff Parts Set

NBA237 Diff Ball (3/32)

NBA238 Ball Diff Screw Set

NBA239 Ball Diff Shim

NBA240 Thrust Bearing

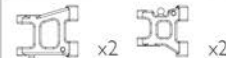
NBA241 Diff gears (Ball Diff)

NBA244 Ball Diff cup joint (Metal)

NBA245 Front Bumper Hold And Body Mount

NBA246 Front Hub Carrier L/R

NBA247 Ball End (4.8mm)

NBA248 Suspension Mount Parts

NBA249 Gear box

NBA250 Arms Set (F and R)

NBA251 Hub carrier

NBA252 Spur Gear 72T

NBA253 Hex Hub (5MM)

NBA254 Servo Saver

NBA256 Bumper For Sedan Body

NBA257 Bumper For Hatchback Body


NBA259 Antenna Pipe

NBA260 8 Spoke Wheel +1mm (Silver)

NBA261 8 Spoke Wheel +1mm (Gray)

NBA262 8 Spoke Wheel +1mm (Black)

NBA263 8 Spoke Wheel +4mm (Silver)

NBA264 8 Spoke Wheel +4mm (Gray)

NBA265 8 Spoke Wheel +4mm (Black)

NBA266 10 Spoke Wheel +1mm (Silver)

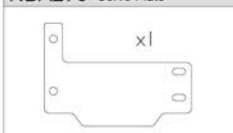
NBA267 10 Spoke Wheel +1mm (Gray)

NBA268 10 Spoke Wheel +4mm (Silver)

NBA269 10 Spoke Wheel +4mm (Gray)

NBA270 Tires

NBA273 Shock Tower (Front& Rear)

NBA276 Servo Plate

NBA277 Bumper Plate (For Hatchback Body)

NBA278 Bumper Plate (For Sedan Body)

NBA279 Screw Set - FH M3x6

NBA280 Screw Set - FH M3x8

NBA281 Screw Set - BH M3x6

NBA282 Screw Set - BH M3x8

NBA283 Screw Set - BH M3x10

NBA284 Screw Set - BH M3x12

NBA285 Screw Set - BH M3x18

NBA286 Screw Set - FH M2x8

NBA287 Set Screw M3x3

NBA288 Set Screw M3x4

NBA289 Set Screw M3x8

NBA290 Set Screw M3x10

NBA291 Set Screw M3x12

NBA292 Set Screw M3x18

NBA293 Set Screw M3x20

NBA294 M3 Nut

NBA295 M4 Nut

NBA296 Bearing 3X6X2.5

NBA297 Bearing 5*8*2.5

NBA298 Bearing 5X10X4

NBA299 Bearing 10X15X4

NBA300 Spacer Set 3X6X2.5

NBA301 Washer (3*6.5*0.5 mm)

NBA302 Washer (3*8*0.5 mm)

NBA303 E-Clip

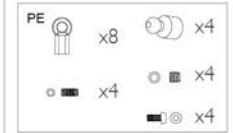
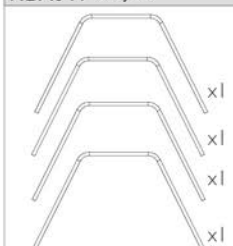
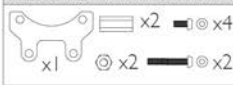
NBA304 Pin2X10

NBA305 Body pinS

NBA306 O-Ring

NBA307 Washer (11*14*0.2 mm)

NBA309 Ball Differential(Metal)

NBA311 Sway Bar

NBA312 Fan Holder (For 30mm Fan)

NBA313 Pivot Block (ALUMINUM)3°

NBA314 Pivot Block (ALUMINUM) 0°

NBA315 Pivot Block (ALUMINUM) 2.5°

NBA316 Pivot Block (ALUMINUM)

NBA317 Steering Mount (ALUMINUM)


NBA318 Aluminum Hex 5.5 x 10mm



x10

NBA319 10 Spoke Wheel +1mm (Black)



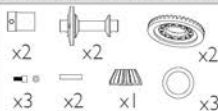
x4

NBA320 10 Spoke Wheel +4mm (Black)



x4

NBA321 Solid Axle(40T/17T Plastic)



x2

x2

x2

x2

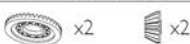
x3

x2

x1

x3

NBA322 Plastic 40T/17T Bevel Gear (For Solid Axle)



x2

x2

NBA323 Solid Axle(42T/17T Metal)



x1

x1

x1

x1

x4

x2

x2

x3

NBA325 42T Metal Bevel Gear (for Solid Axle)



x1

x4

NBA327 Metal Center Cup Joint (For Gear Diff)



x1

x1

x4

x4

NBA330 M-Rally Tires + Wheels 10 Spoke White +1mm (4PCS)



NBA331 M-Rally Tires (4PCS)



NBA332 Strong Ball End 4.8mm (4PCS)



x4

NBA333 Rear Shock Tower (For Sedan Body)



x1

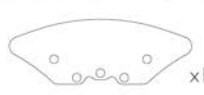
x2

NBA334 Strong Ball End 4.8mm (Long 4PCS)



x4

NBA336 Bumper For Touring Car Body



x1

NBA337 Bumper Plate & Body Post Spacer



x4

x1

NBA338 Pivot Block (ALUMINUM) 20°



x1

NBA339 ALUMINUM REAR HUB



x2

NBA340 Aluminum C Hub(L/R)



x1

x1

NBA341 Aluminum Steering Blocks



x1

x1

NBA342 Body Post (Rear)



x4

NBA343 12mm Hex Hub (6mm)

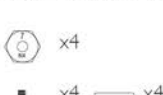


x4

x4

x4

NBA344 12mm Hex Hub (7mm)



x4

x4

x4

NBA346 ALUMINUM SPACER 3*6*0.5 (8PCS)



x8

NBA347 ALUMINUM SPACER 3*6*1.0 (8PCS)



x8

NBA348 ALUMINUM SPACER 3*6*2.0 (8PCS)



x8

NBA349 ALUMINUM SPACER 3*6*3.0 (8PCS)



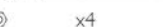
x8

NBA350 ALUMINUM SPACER 3*6*4.0 (8PCS)



x8

NBA351 M3 Nylon Lock Nut(4PCS)



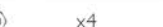
x4

NBA352 M4 Nylon Lock Nut(4PCS)



x4

NBA353 M4 Serrated Lock Nut(4PCS)



x4

NBA354 Solid Axle Steel Cup Joint



x2

x2

NBA355 23T Brushed Motor



x1

NBA356 Extended Body Post(6mm)



x4

x4

NBA357 Gear Diff Cup Joint (Heavy Duty)



x2

x2

NBA358 Solid Axle Steel Cup Joint (Heavy Duty)



x2

x2

NBA360 Spur Gear 68T (Heavy Duty Steel)



x1

NBA361 CVD Pin



x4

NBA362 Shock Spacer



x4

NBA363 Shock Pistons-3H1.2



x4

NBA364 Shock Pistons-4H1.1



x4

NBA369 Battery holder



x2

x2

x2

x2

x2

x2

x2

x2

NBA370 Bevel Gear Set



x2

x1

x2

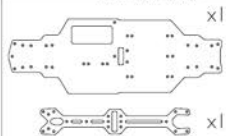
NBA371 M-Rally Tires+Wheels 10 Spoke Gray+1mm (4PCS)



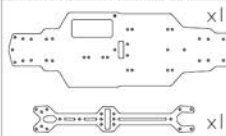
NBA372 M-Rally Tires+Wheels 10 Spoke Black+1mm (4PCS)



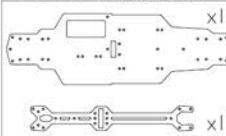
NBA374 M210 FWD Chassis&Upper Deck (WB210mm)



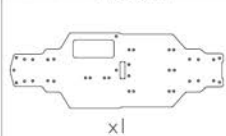
NBA375 M210 FWD Chassis&Upper Deck (WB225mm)



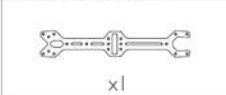
NBA376 M210 FWD Chassis&Upper Deck (WB239mm)



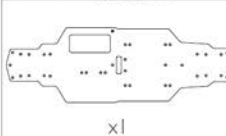
NBA377 M210 FWD Chassis (WB210mm)



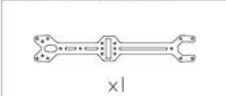
NBA378 M210 FWD Upper Deck (WB210mm)



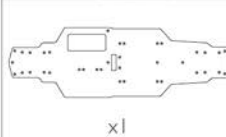
NBA379 M210 FWD Chassis (WB225mm)



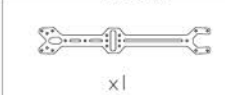
NBA380 M210 FWD Upper Deck (WB225mm)



NBA381 M210 FWD Chassis (WB239mm)



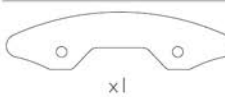
NBA382 M210 FWD Upper Deck (WB239mm)



NBA383 M210 FWD Bumper-Small



NBA384 M210 FWD Bumper-Medium



NHA420 Ball stud 4.8x9



NHA440 12mm HEX (T 5mm/8mm)



NHA442 5*7*0.5 washers



NHA443 5*7*0.2 washers



NHA457 Shock Spring 1.4*20mm (White)



NHA458 Shock Spring 1.4*20mm (Blue)



NHA459 Shock Spring 1.4*20mm (Yellow)



NHA460 Shock Spring 1.4*20mm (Red)



NHA461 Shock Spring 1.4*20mm (Green)



NHA462 Shock Spring 1.4*20mm (Purple)



NHA463 T410FWD Spur Gear Mount



NHA466 T410FWD Battery Holder



NHA467 T410FWD Center Drive Shaft



NHA468 T410FWD Rear Axles



NHA470 T410FWD AL-Gear Mount



NHA472 Battery Strap



NHA473 T410FWD Front Weight



NHA474 M3 Thin Nylon Locking Hex Nu



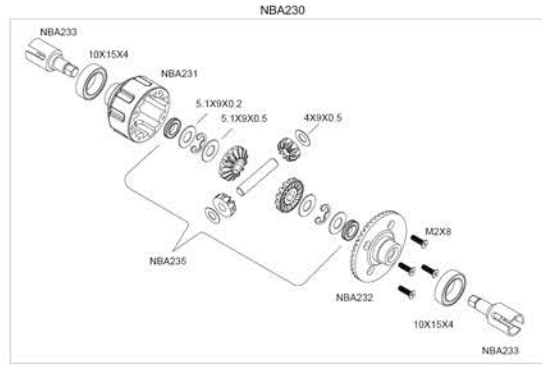
NHA475 Heavy duty gear diff set



NHA476 T410 FWD Bumper

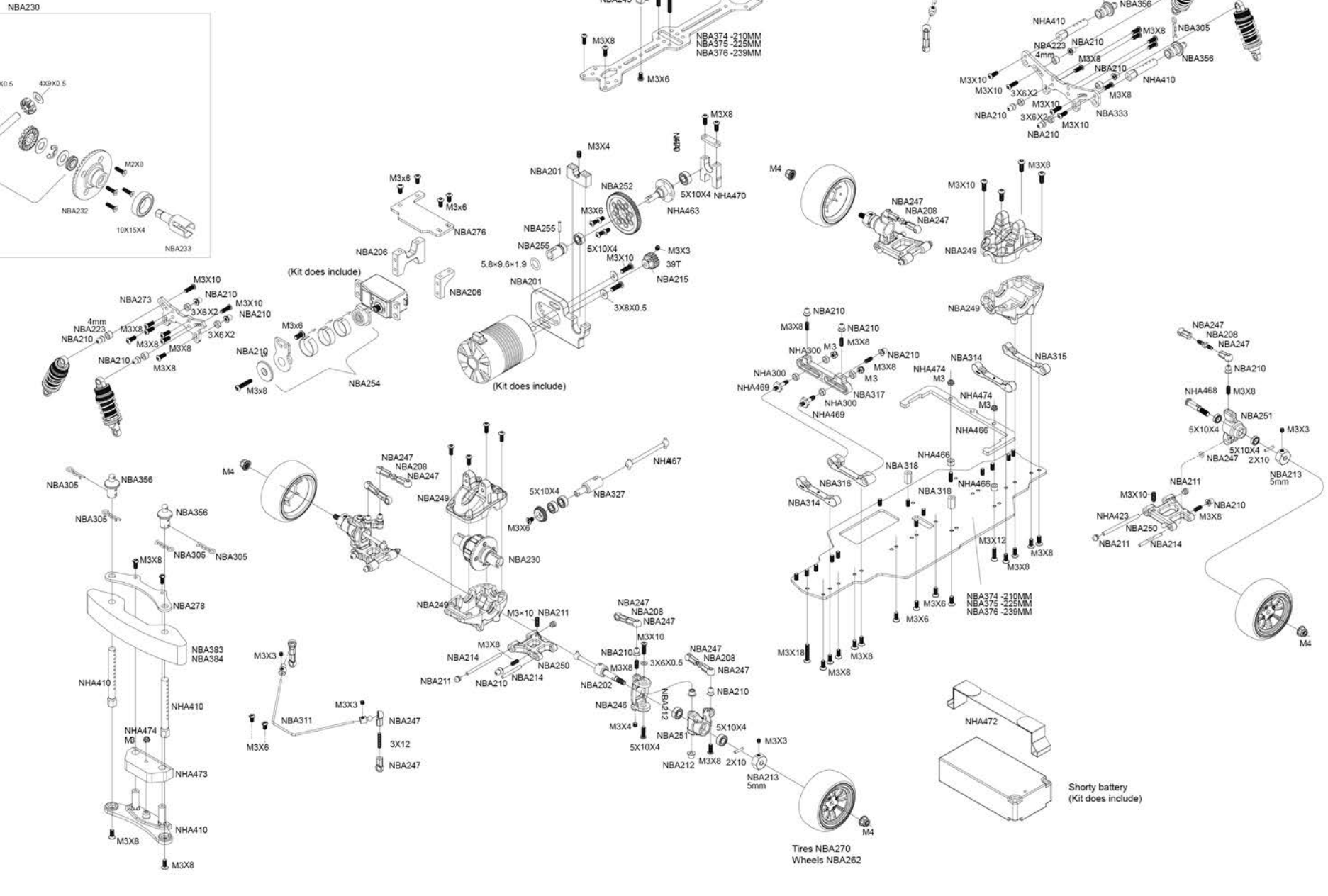


M210 FWD



- NBA229
- NBA220
- NBA223
- NBA219
- NBA221
- NBA222
- NBA220
- NBA219
- NBA223
- NBA220
- NBA219
- NBA223
- NBA220
- NHA457(White) **HARD**
- NHA458(Blue)
- NHA459(Yellow)
- NHA460(Red)
- NHA461(Green)
- NHA462(Purple)
- NBA223
- NBA334(Rally)

HARD
↕
SOFT



Shorty battery
(Kit does include)

Tires NBA270
Wheels NBA262



CARTEN[®]

1/10 EP M-CHASSIS
M210 FWD



CARTEN RC Website

✉ service@carten-rc.com