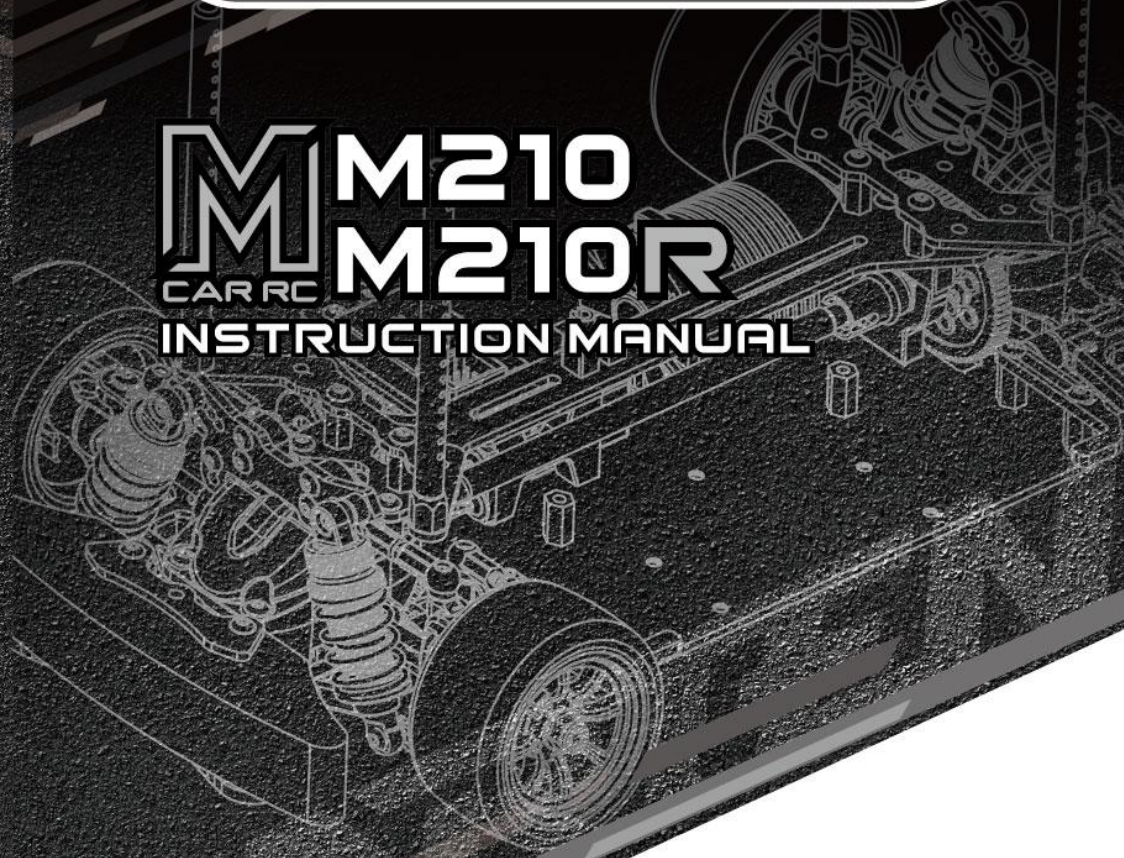




**M** **M210**  
CAR RC **M210R**  
INSTRUCTION MANUAL



**M** **M210** **M-CHASSIS**  
CAR RC **M210R** 1/10 EP RC M-Chassis Kit



✉ [sevice@carten-rc.com](mailto:sevice@carten-rc.com)

**4WD** **SHAFT**  
**DRIVEN**

**M-CHASSIS**

1/10 EP RC M-Chassis Kit

[WWW.CARTEN-RC.COM](http://WWW.CARTEN-RC.COM)

# INDEX

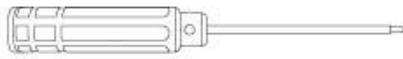
---

<b>INTRODUCTION</b>	<b>01</b>
<b>CAUTION</b>	<b>02</b>
<b>BAG A</b> Front / Rear / Center Diff. Installation	<b>03-04</b>
<b>BAG B</b> Shock Install (Front & Rear)	<b>05-06</b>
<b>BAG C</b> Front Spindle & CVD Installation	<b>07</b>
<b>BAG D</b> Front End Installation	<b>08-9</b>
<b>BAG E</b> Rear Hub & CVD Installation	<b>10</b>
<b>BAG F</b> Rear End Installation	<b>11-12</b>
<b>BAG G</b> Center Diff. / Brake Installation	<b>13-15</b>
<b>BAG H</b> Switch / Antenna tube Installation	<b>16</b>
<b>BAG I</b> Clutch bell / Engine mount Assembly	<b>17-22</b>
<b>BAG J</b> Servo Saver / Steering Assembly	<b>22-25</b>
<b>CHASSIS INSTALLATION</b>	<b>26-27</b>
<b>FACTORY SETUP SHEET</b>	<b>28</b>

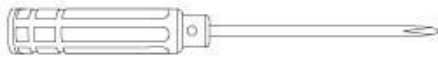
## CAUTION

**Notice:** Thank you for choosing the carten M-CHSSIS M210 M210R  
The following items are needed for completion of the KIT, They are not included with this kit (unless noted), and should be obtained from your local hobby shop.  
**Be sure to read the instructions completely prior to assembly.**

### TOOLS NEEDED TO ASSEMBLE



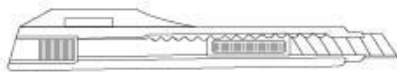
Hex Wrenches



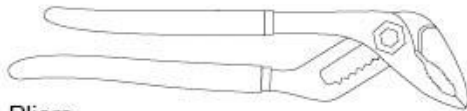
Phillips Type Screw Driver



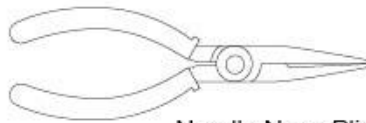
Box Wrench(5.5mm / 7mm / 10mm)



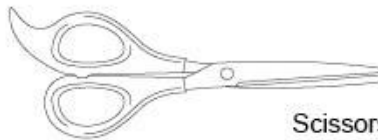
Hobby Knife



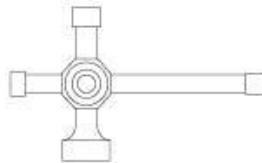
Pliers



Needle Nose Pliers



Scissors



Utility Wrench



Glass or Vinyl Tape



Instant Glue

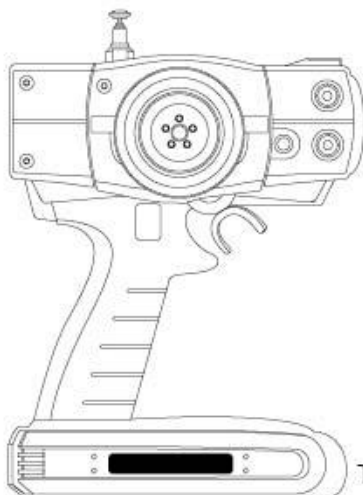


Screw (Sement)

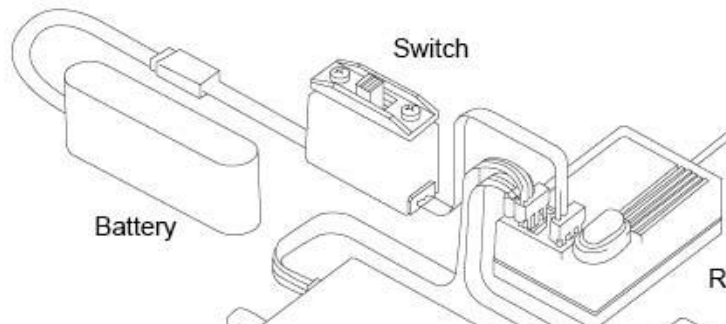


Rubber Glue

### ITEMS NEEDED TO CONTROL CAR



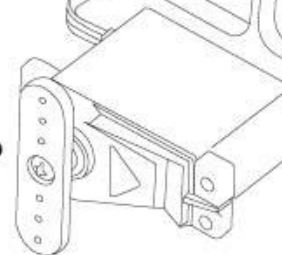
Transmitter



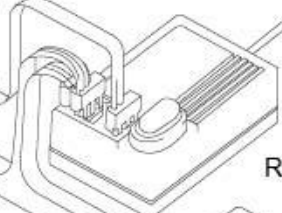
Battery

Switch

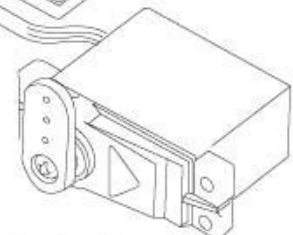
Engine Control Servo



Receiver



Steering Servo



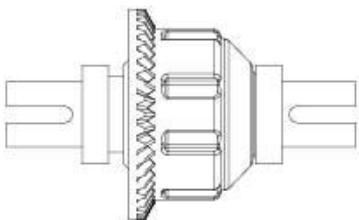
## CARTEN M210 EP 1/10 M – CHASSIS

### M210 Specification

<b>DRIVETRAIN</b>	Shaft Drive 4WD
<b>Track Width</b>	166mm
<b>Wheelbase</b>	208-210mm
<b>Final</b>	2.353
<b>Gear Ratio</b>	5.46
<b>Tire Diameter</b>	55mm

### Equipped

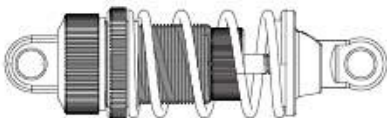
Full Baering	Aluminum Center Driver Shaft
Stell CVD Drive Shaft	Aluminum Spur Gear Hub
Carbon Fibre Chassis , Upper Deck , Shock Tower	Oil Shocks
Aluminum Motor Mount	Ball Differential



Metal Gear Dif



Aluminum Hex Hub



Aluminum Shock



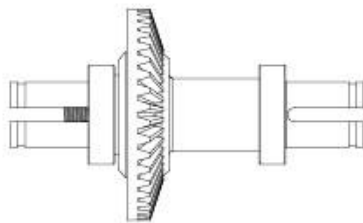
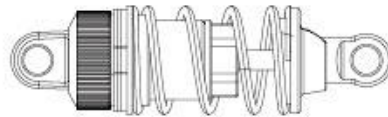
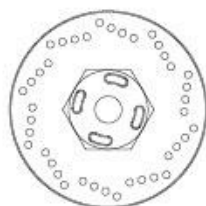
Turnbuckle

**CARTEN M210-R EP 1/10 M – CHASSIS****M210-R Specification**

<b>DRIVETRAIN</b>	Shaft Drive 4WD
<b>Track Width</b>	166mm
<b>Wheelbase</b>	208-210mm
<b>Final</b>	2.47
<b>Gear Ratio</b>	4.56
<b>Tire Diameter</b>	55mm

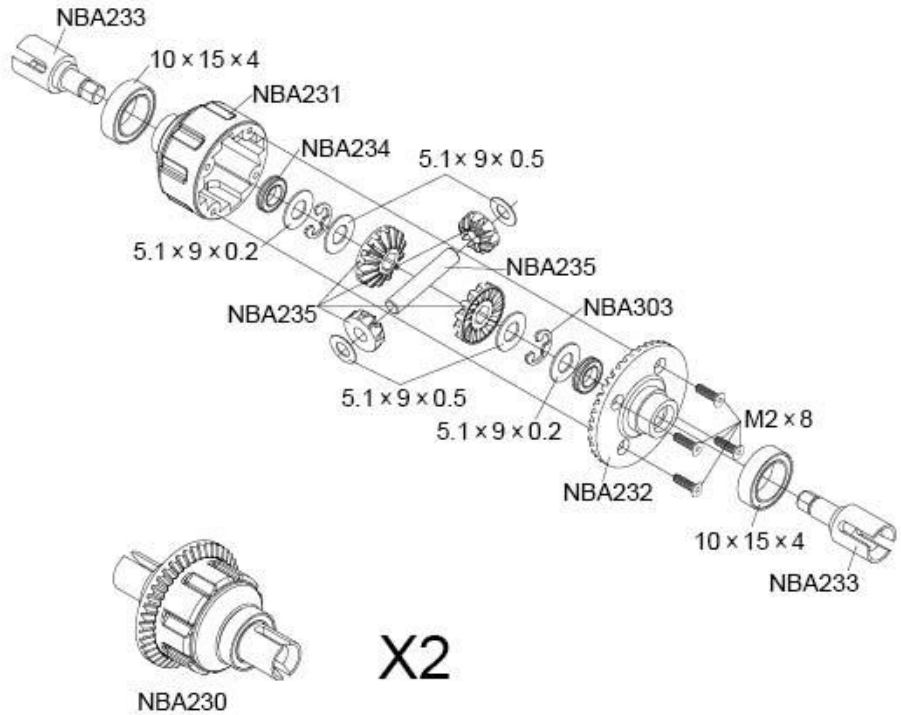
**Equipped**

Full Baering	Aluminum Spur Gear Hub
Stell CVD Drive Shaf	Aluminum 12mm Hex Hub
Carbon Fibre Chassis , Upper Deck , Shock Tower	Aluminum Shocks
Aluminum Motor Mount	Metal Gear Differential
Aluminum Center Driver Shaft	Full Turnbuckle

**Ball Diff****Oil Shock****Plastic Hex Hub****Set Screw**

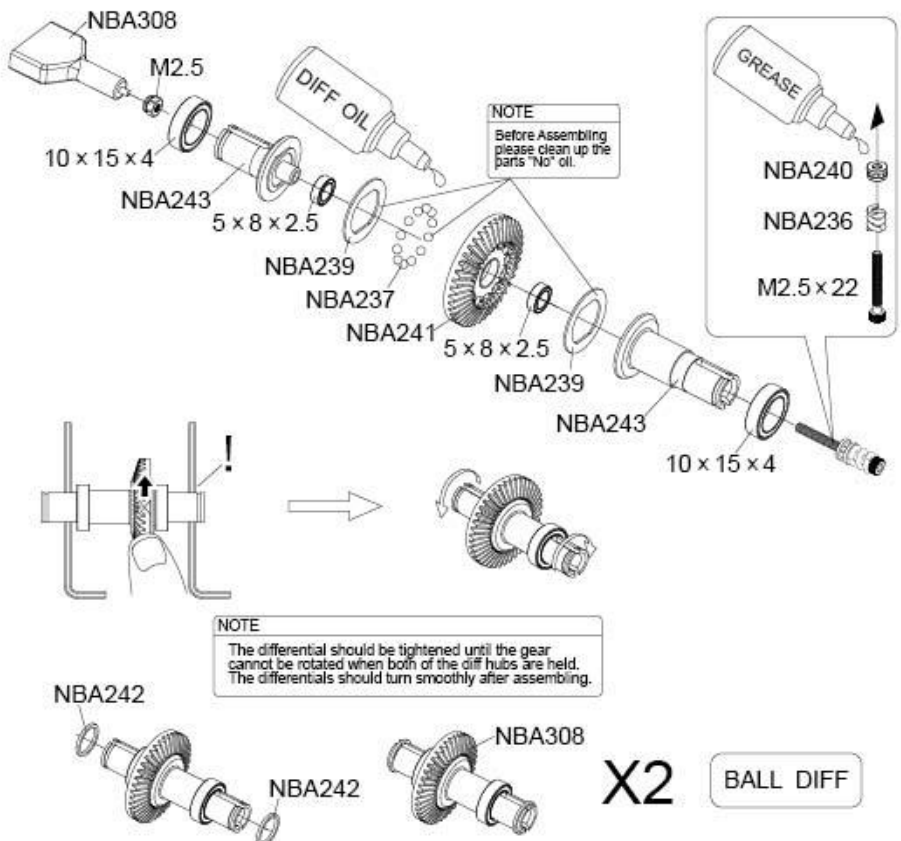
## 1

-  X4  
NBA230  
5.1x9x0.5mm
-  X2  
NBA230  
5.1x9x0.2mm
-  X2  
NBA303  
4.0mm
-  X4  
NBA286  
M2x8mm
-  X2  
NBA299  
10x15x4mm





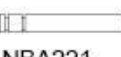










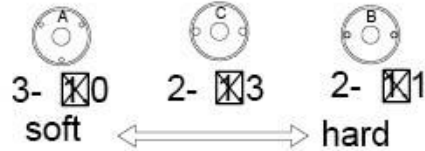
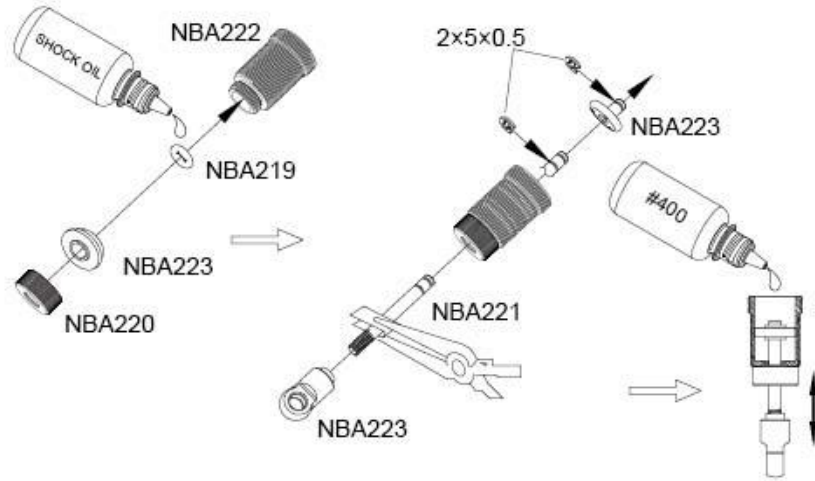
## 2

-  X1  
NBA236
-  X1  
NBA240  
2.6x6x3mm
-  X2  
NBA297  
5x8x2.5mm
-  X2  
NBA299  
10x15x4mm
-  X1  
NBA238  
M2.5x22mm
-  X1  
NBA238  
M2.5
-  X12  
NBA237  
3/32"



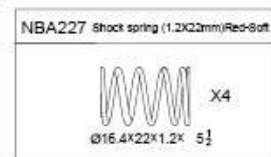
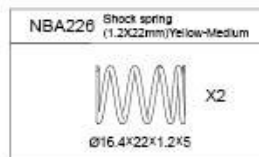
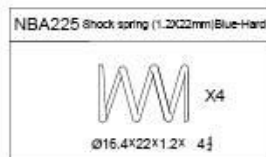
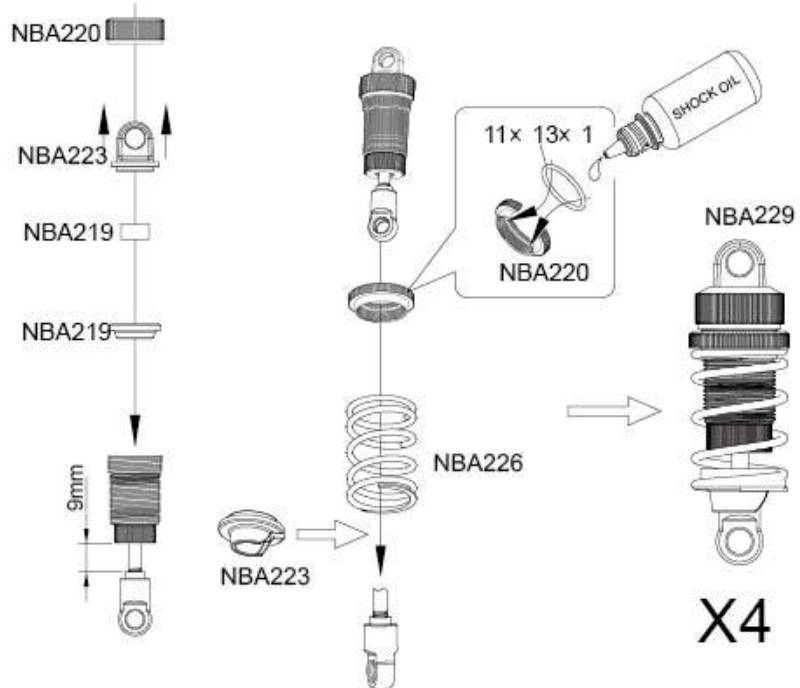
## 3

-  X1  
NBA222
-   X1  
NBA220
-  X2  
NBA221  
2x5x0.5mm
-  X1  
NBA221
-   X1  
NBA219
-   X1  
NBA223
-   X1  
NBA223
-   X1  
NBA223

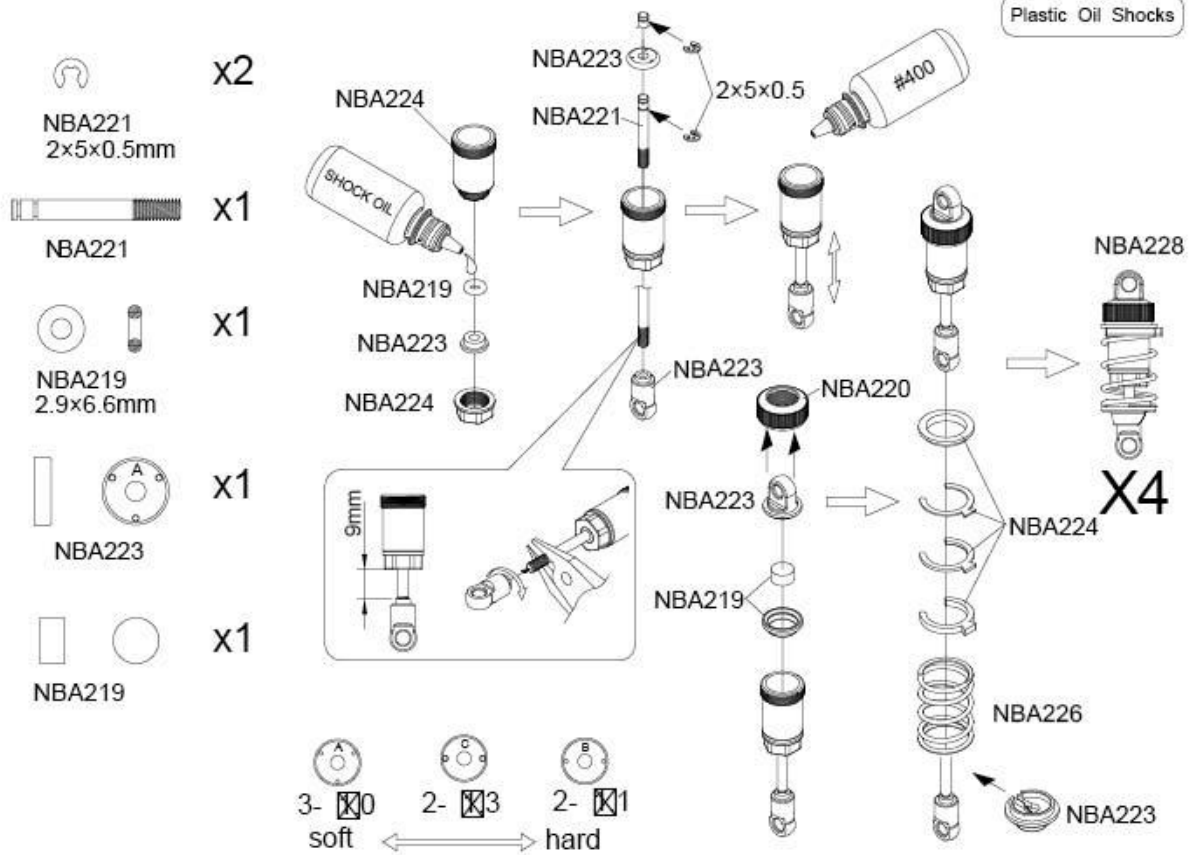


## 4

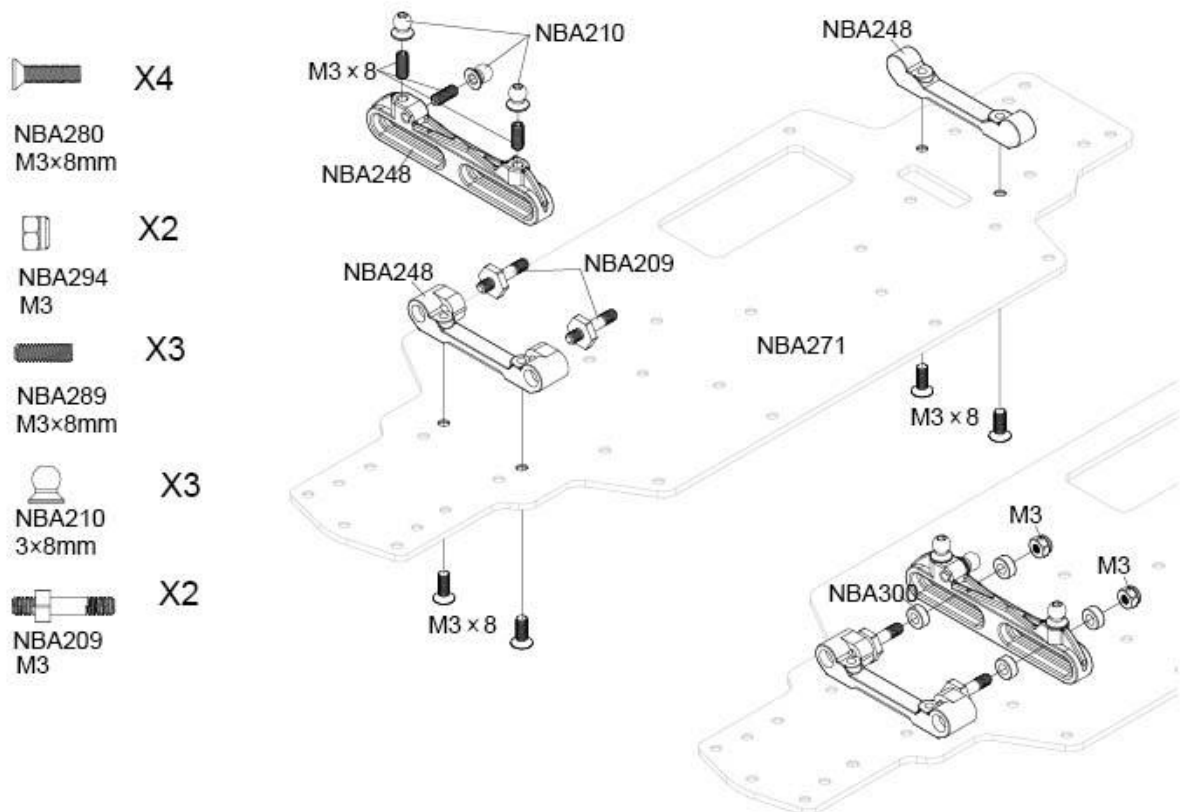
-   X1  
NBA220
-   X1  
NBA220
-   X1  
NBA219  
11x13x1mm
-  X1  
NBA223
-   X1  
NBA223
-   X1  
NBA219
-   X1  
NBA219



5



6





## 7

 X4

NBA280  
M3x8mm

 X4

NBA290  
M3x10mm

 X8

NBA211

 X4

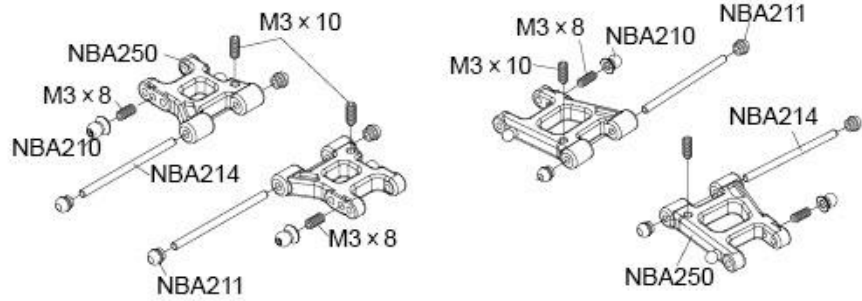
NBA214

 X4

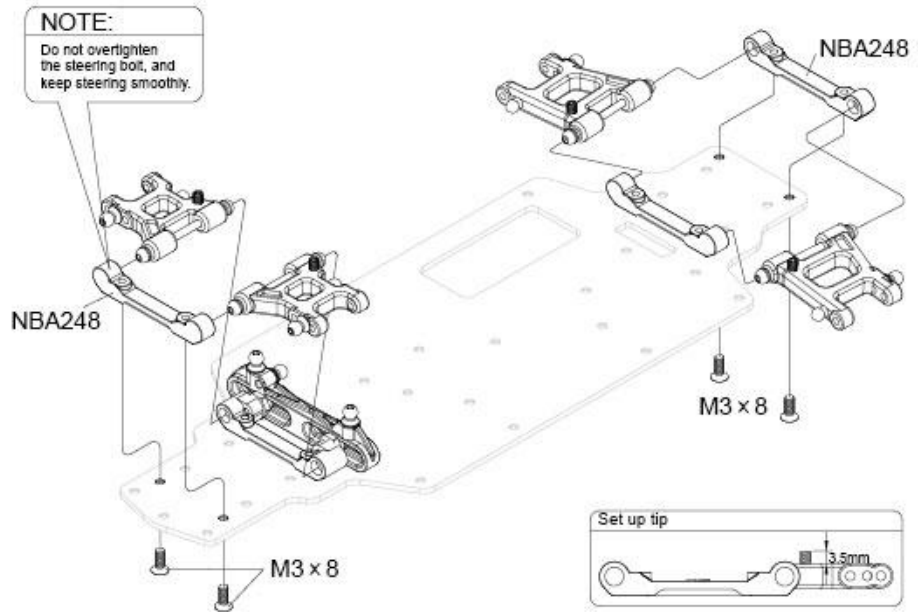
NBA289  
M3x8mm

 X4

NBA210  
3x8mm



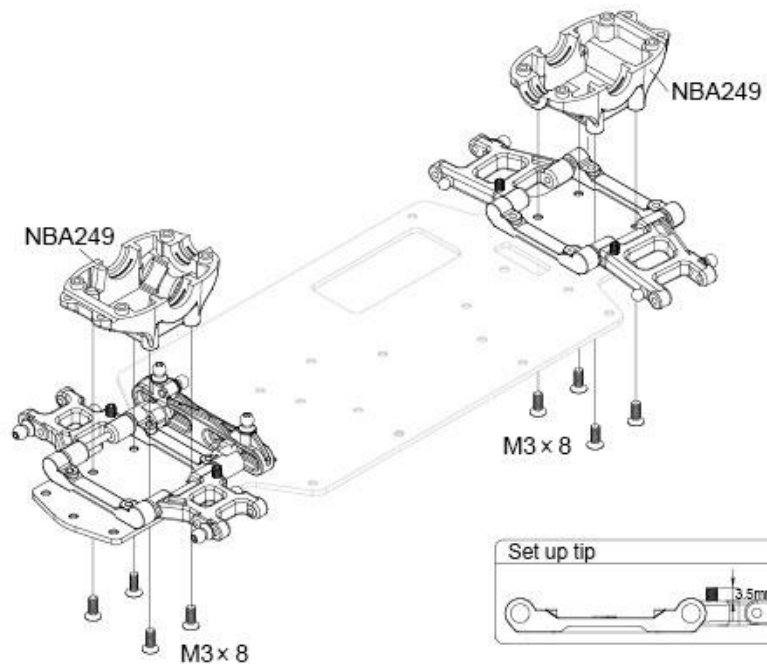
**NOTE:**  
Do not overtighten  
the steering bolt, and  
keep steering smoothly.



## 8


 X8


NBA280  
M3x8mm



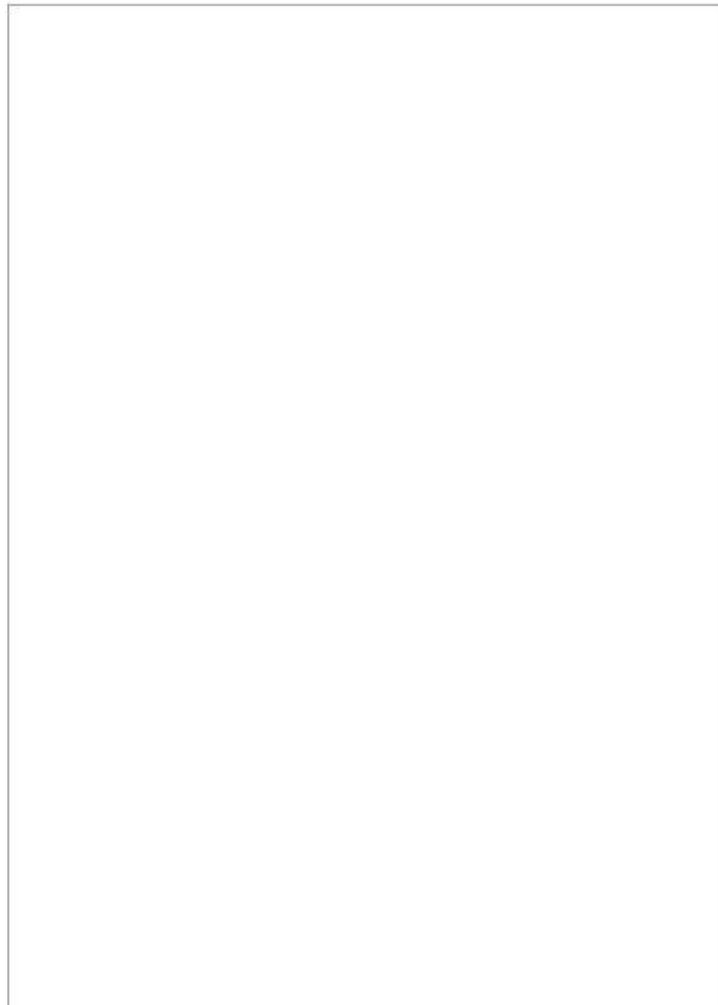
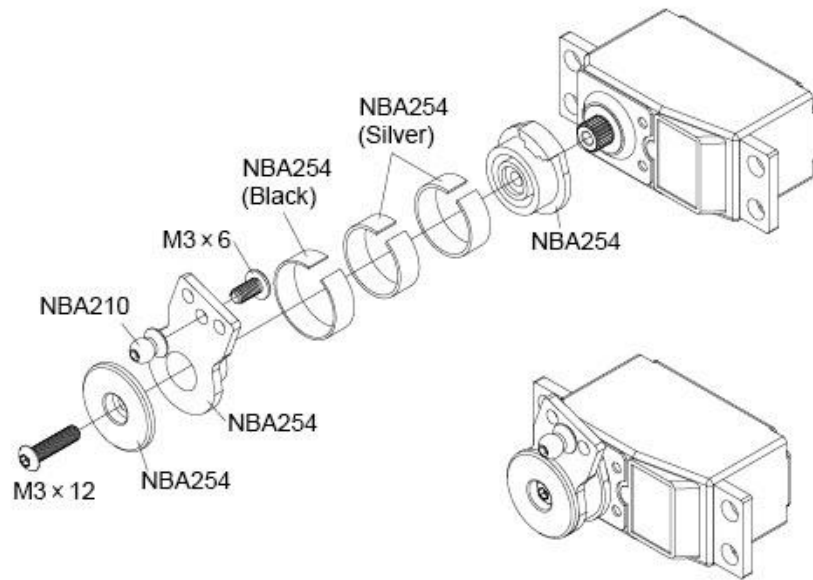
 X1  
NBA284  
M3x12mm

 X1  
NBA210  
3x8mm

 X1  
NBA281  
M3x6mm

 X1  
NBA254  
(Black)

 X2  
NBA254  
(Silver)



## 10

 X8


NBA281  
M3x6mm

 X4

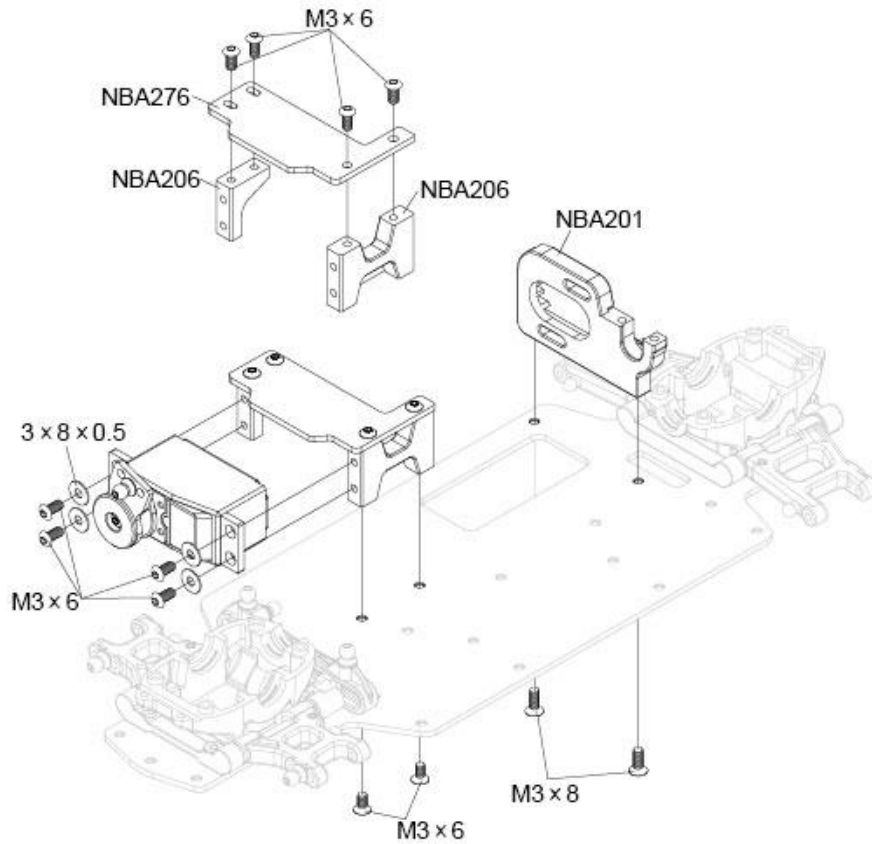
NBA302  
3x8x0.5mm

 X2


NBA280  
M3x8mm

 X2

NBA279  
M3x6mm



## 11

 X1

NBA279  
M3x6mm

 X1

NBA280  
M3x8mm

 X4

NBA298  
5x10x4mm

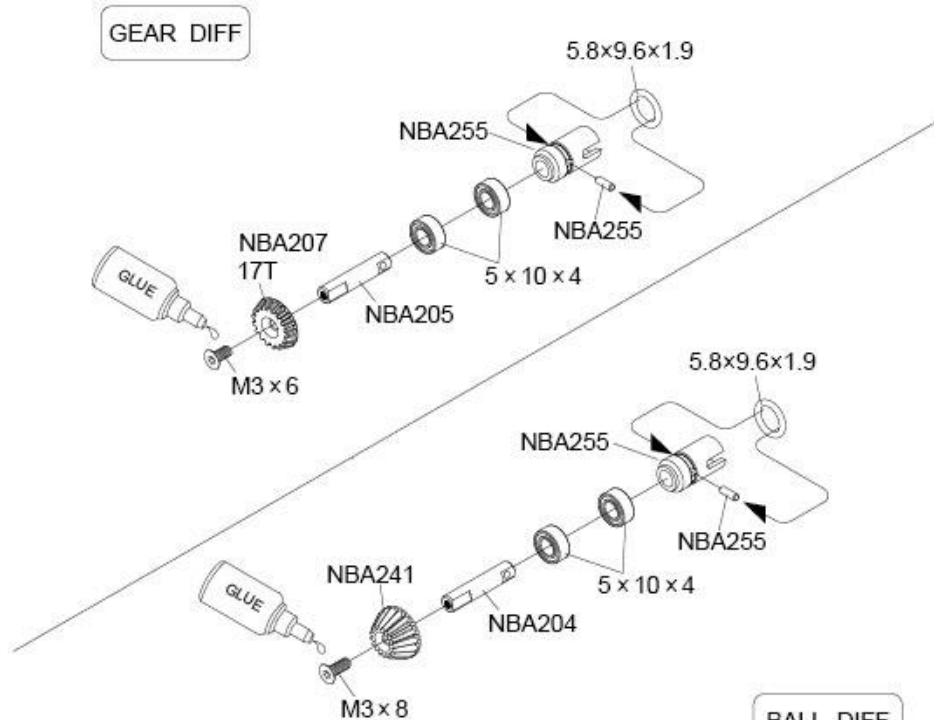
 X2

NBA306  
5.8x9.6x1.9mm

 X2

NBA255  
2x7.6mm

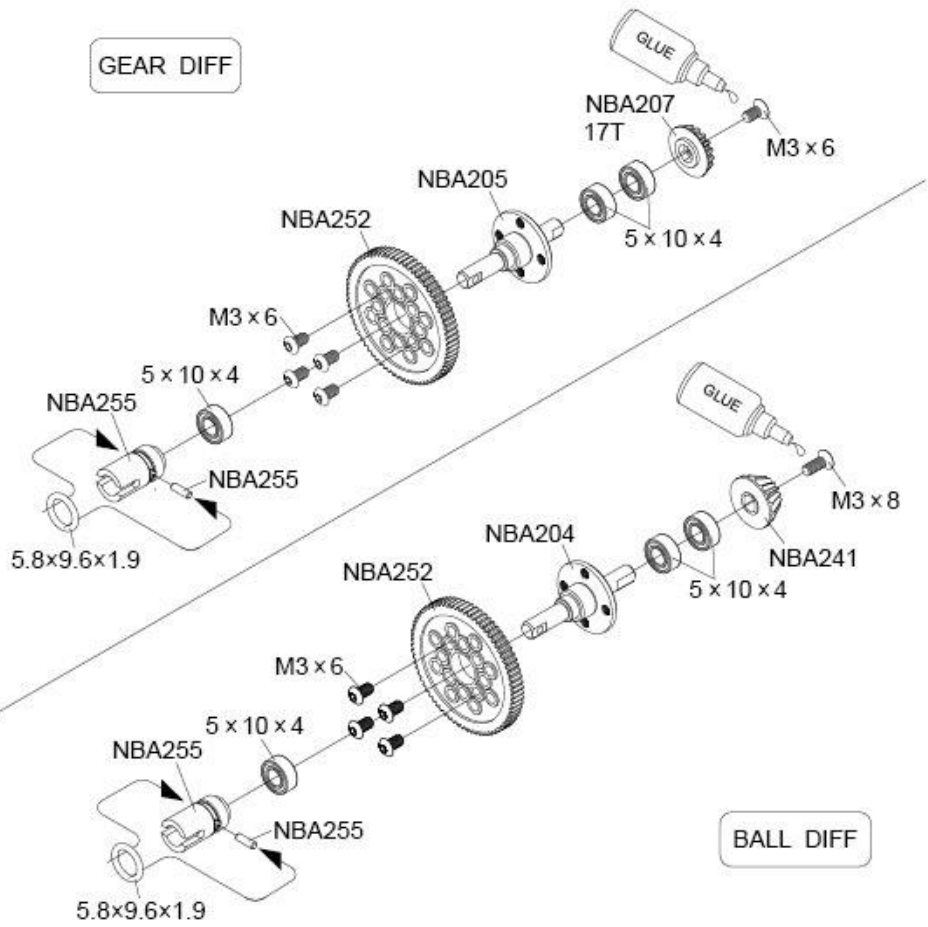
GEAR DIFF



BALL DIFF

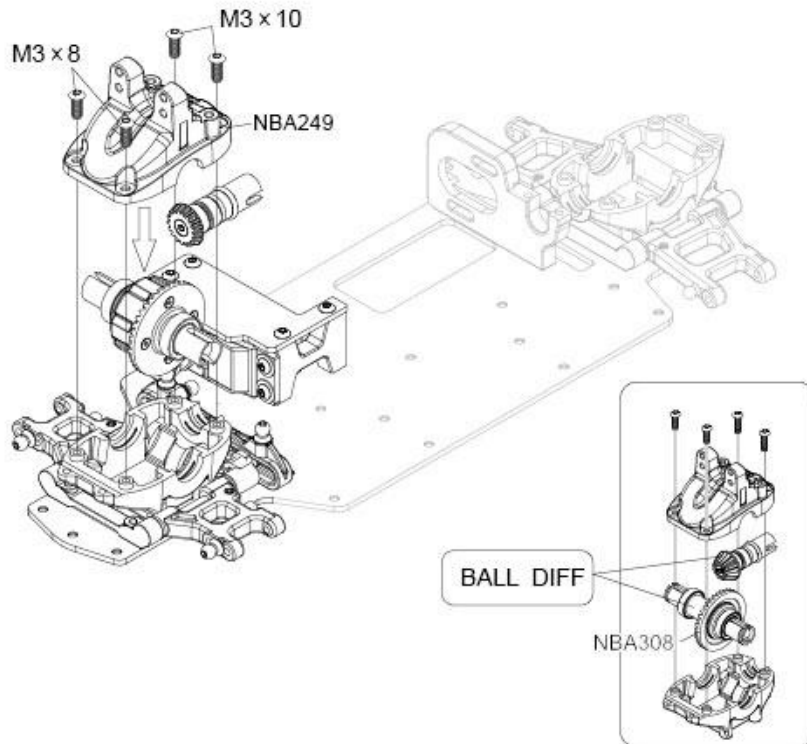
12

-  X1  
NBA279  
M3x6mm
-  X1  
NBA280  
M3x8mm
-  X6  
NBA298  
5x10x4mm
-  X2  
NBA306  
5.8x9.6x1.9mm
-  X2  
NBA255  
2x7.6mm
-  X8  
NBA281  
M3x6mm



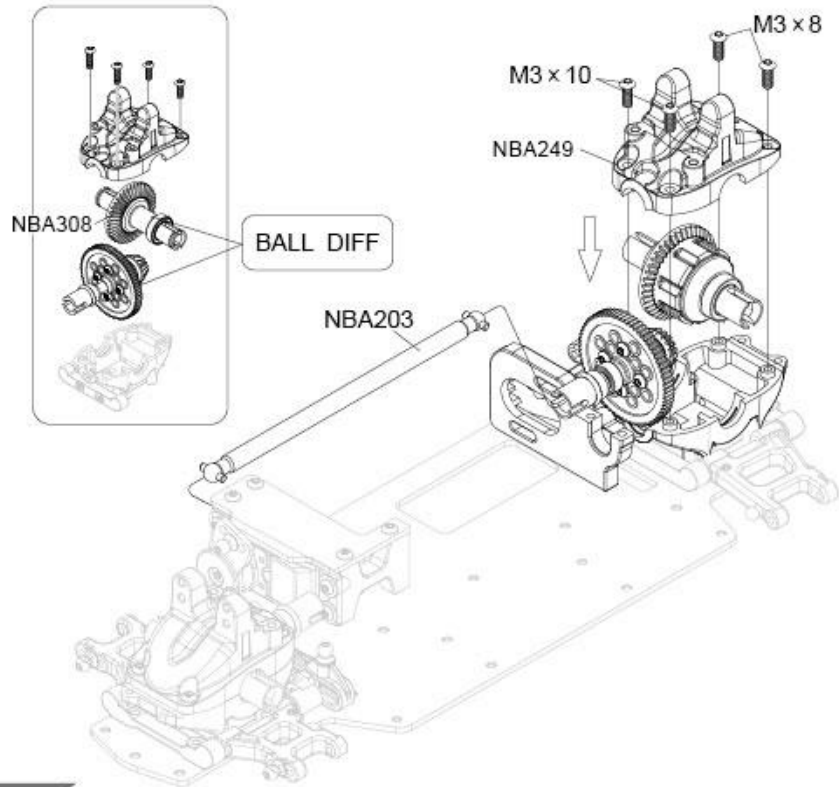
13

-  X2  
NBA283  
M3x10mm
-  X2  
NBA282  
M3x8mm



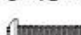


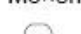
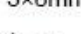
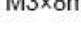
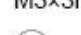


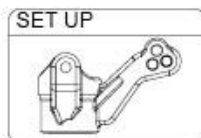
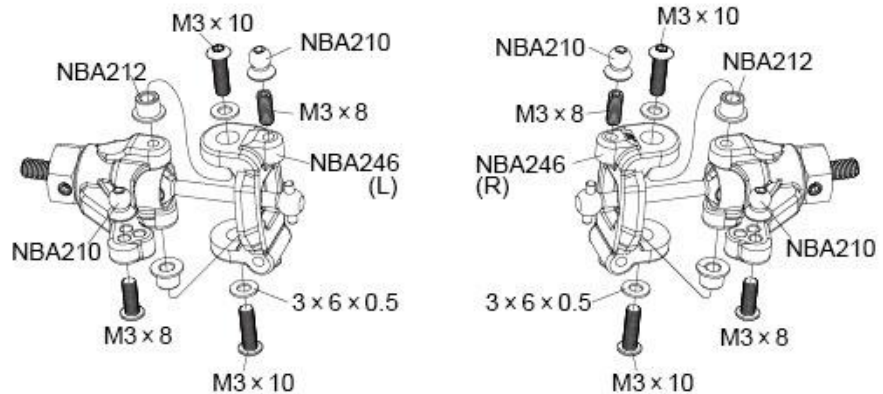
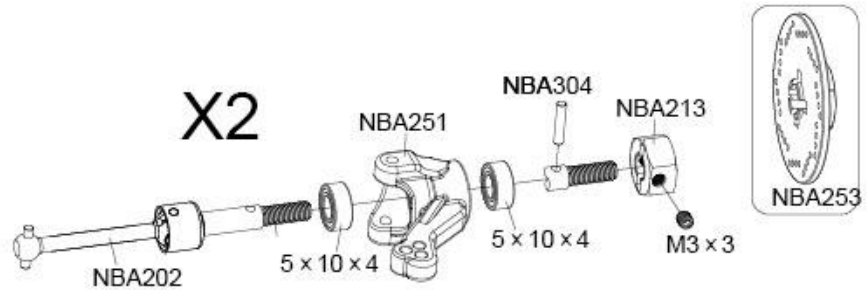
14

-  X2  
NBA283  
M3×10mm
-  X2  
NBA282  
M3×8mm



15

-  X2  
NBA304  
2×10mm
-  X4  
NBA298  
5×10×4mm
-  X4  
NBA283  
M3×10mm
-  X4  
NBA212  
3×7×4.2mm
-  X2  
NBA289  
M3×8mm
-  X4  
NBA210  
3×8mm
-  X2  
NBA282  
M3×8mm
-  X2  
NBA287  
M3×3mm
-  X4  
NBA301  
3×6×0.5mm



16

 X4

NBA298  
5x10x4mm

 X2

NBA304  
2x10mm

 X2

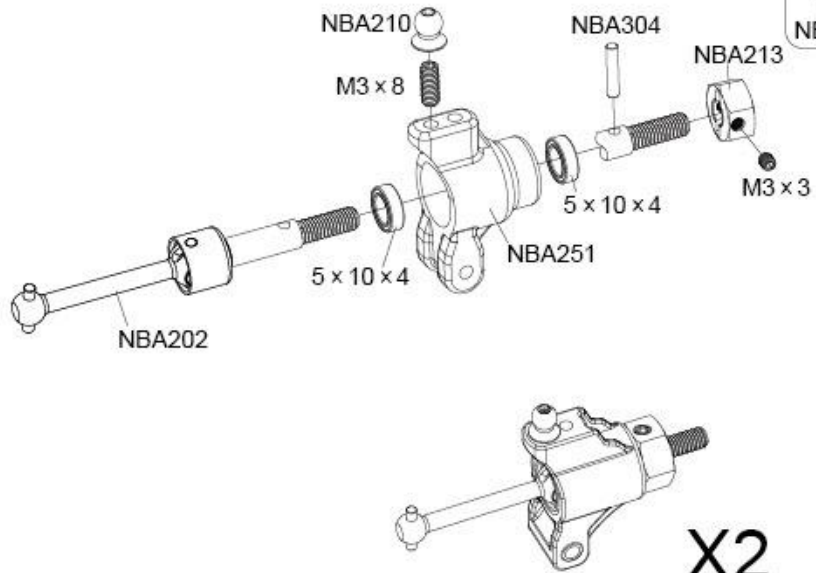
NBA289  
M3x8mm

 X2

NBA210  
3x8mm

 X2

NBA287  
M3x3mm



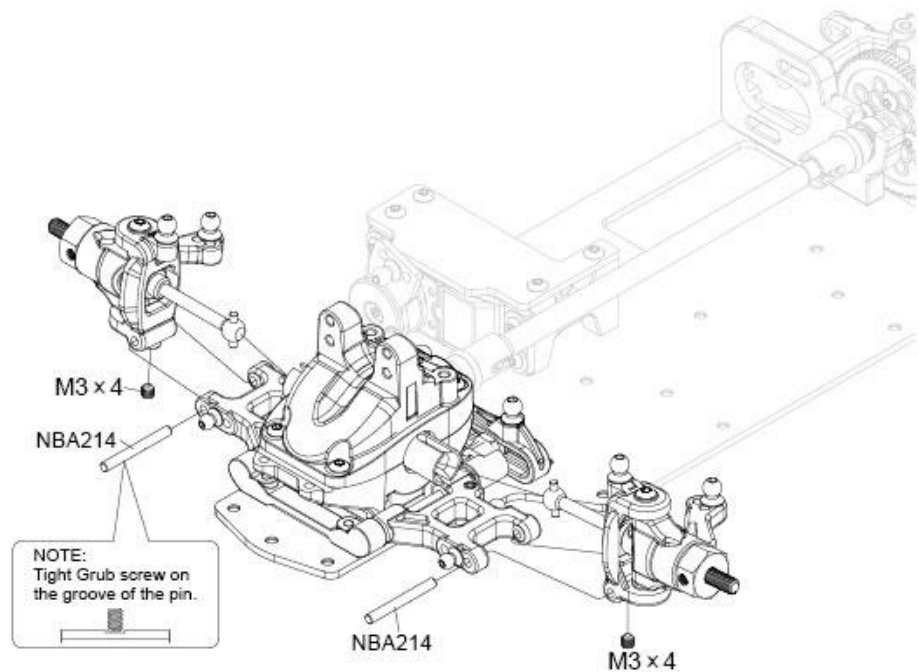
17

 X2

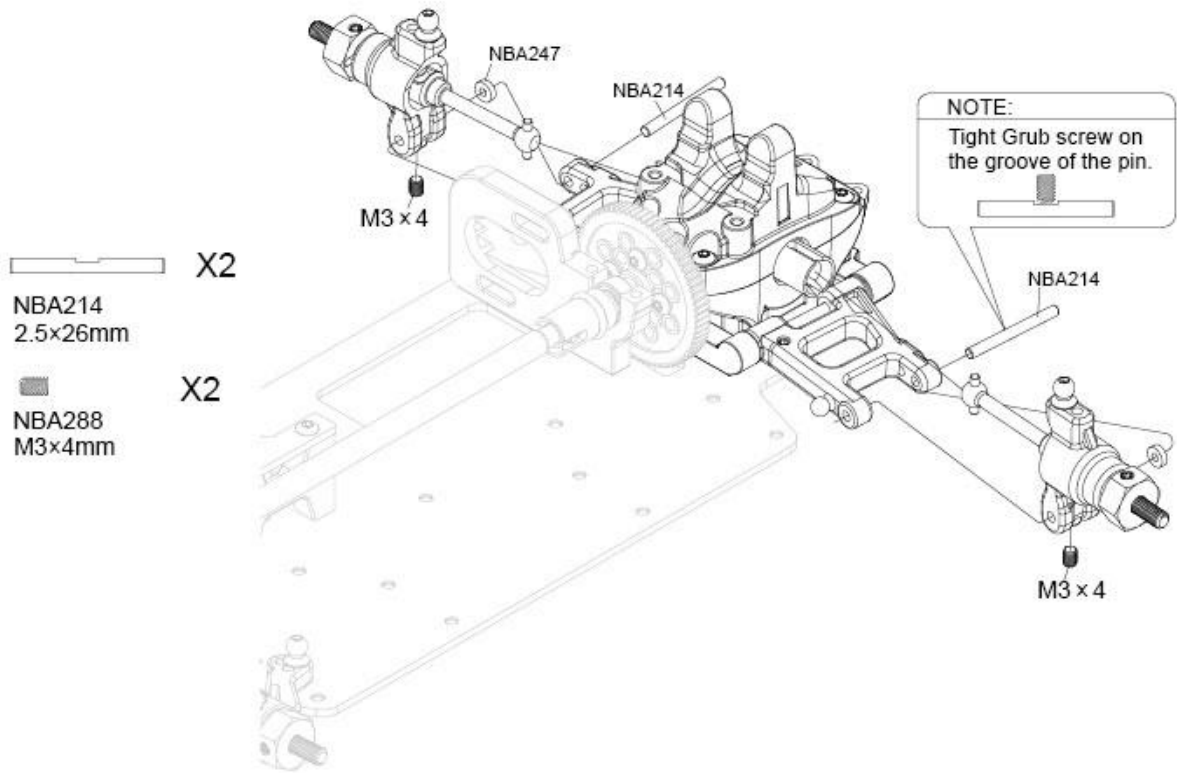
NBA288  
M3x4mm

 X2

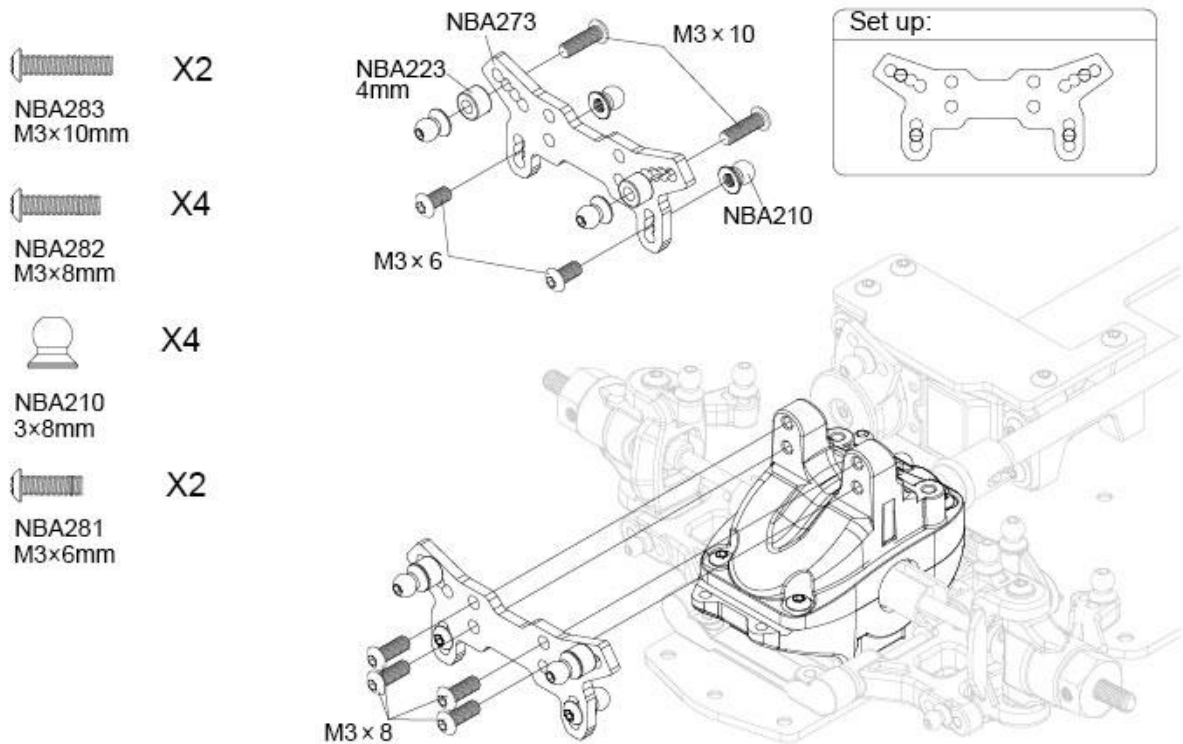
NBA214  
2.5 x 23mm



18



19

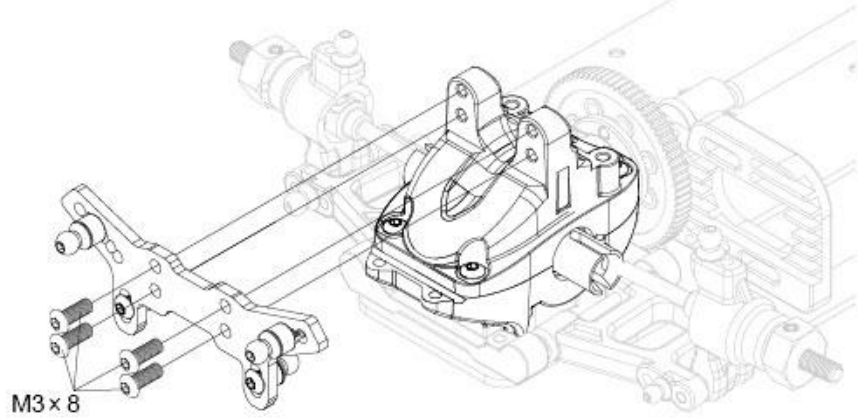
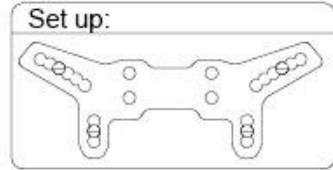
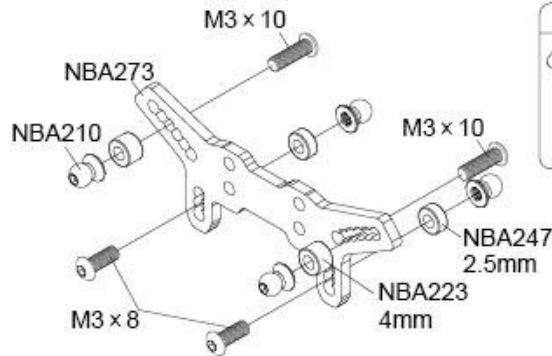


20

 X2  
NBA283  
M3x10mm

 X6  
NBA282  
M3x8mm

 X4  
NBA210  
3x8mm



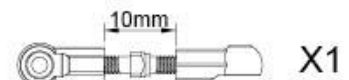
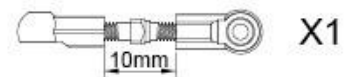
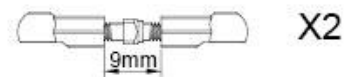
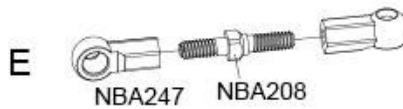
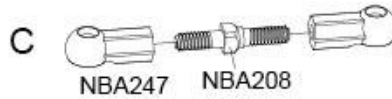
21

 X14  
NBA247

 X2  
NBA208  
M3x12mm

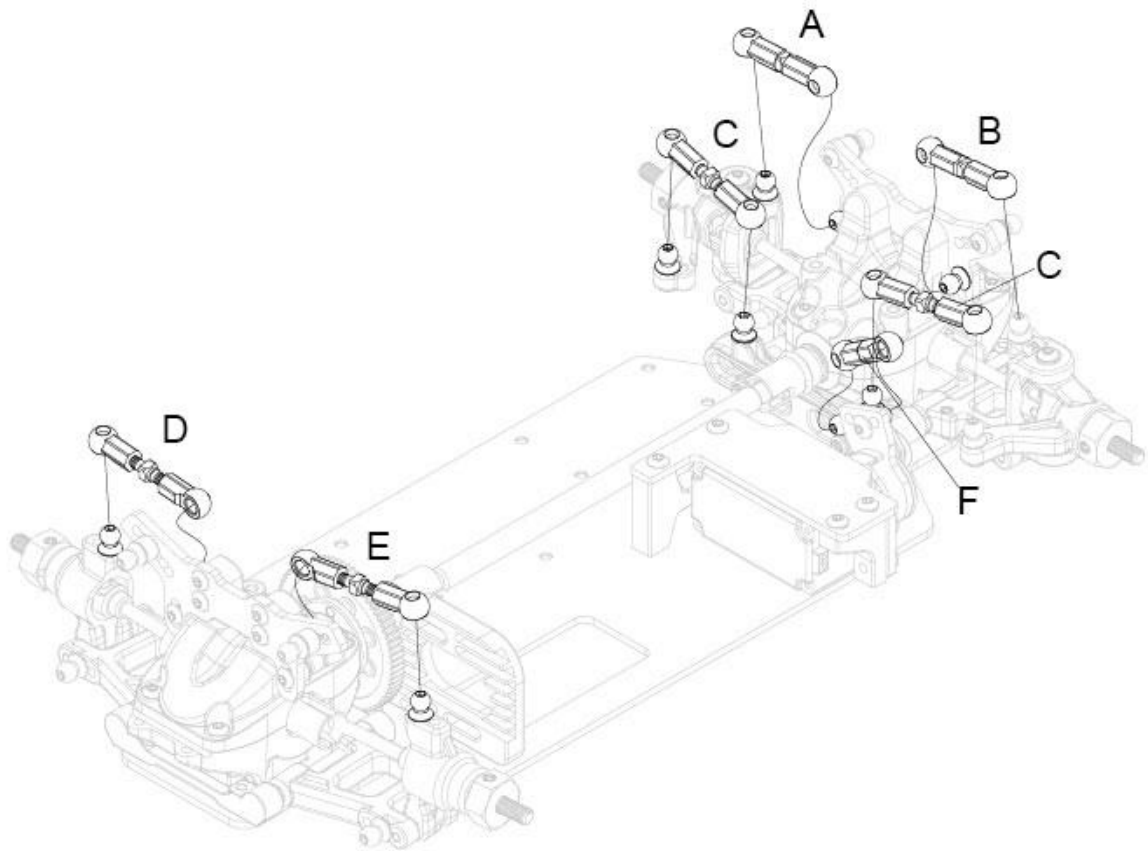
 X4  
NBA208  
M3x19mm

 X1  
NBA289  
M3x8mm






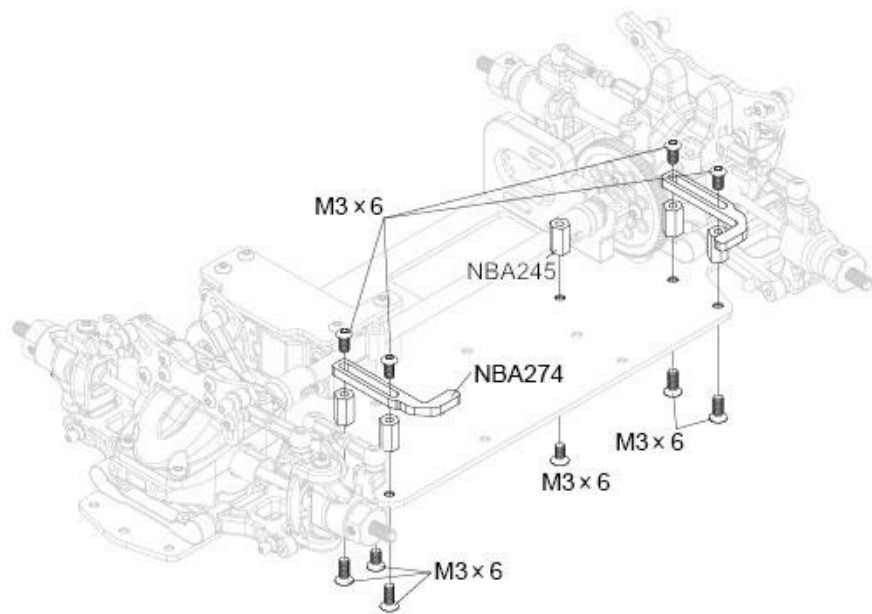
22



23

 X6  
 NBA279  
 M3x6mm

 X4  
 NBA281  
 M3x6mm



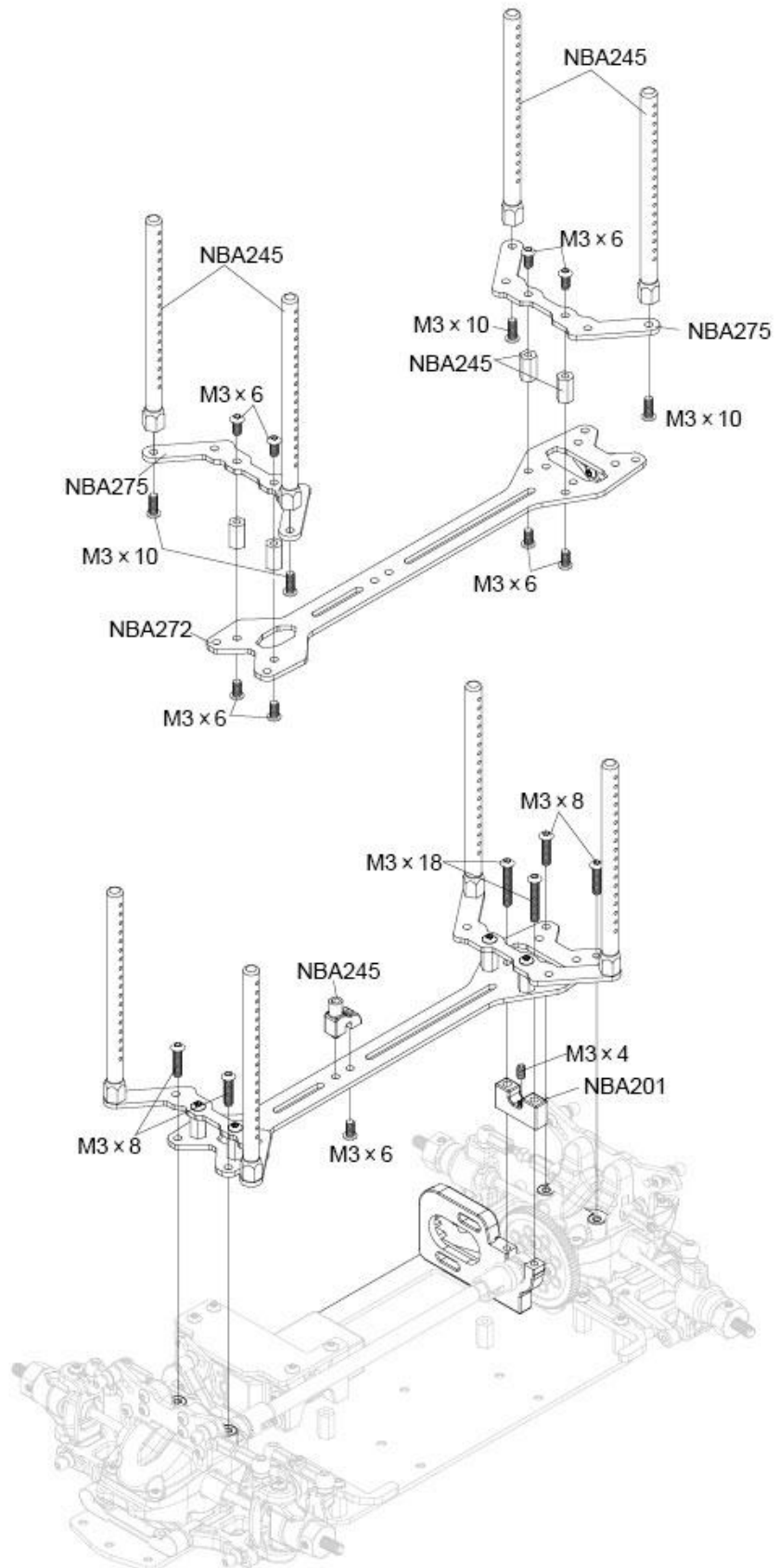
 X4  
NBA282  
M3x8mm

 X2  
NBA285  
M3x18mm

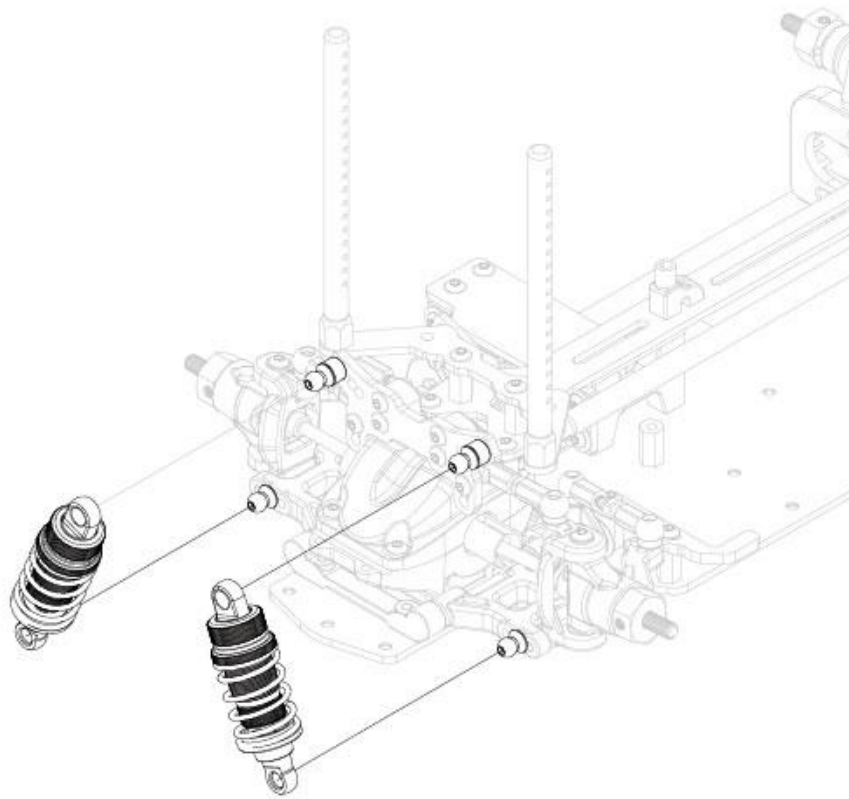
 X4  
NBA283  
M3x10mm

 X1  
NBA288  
M3x4mm

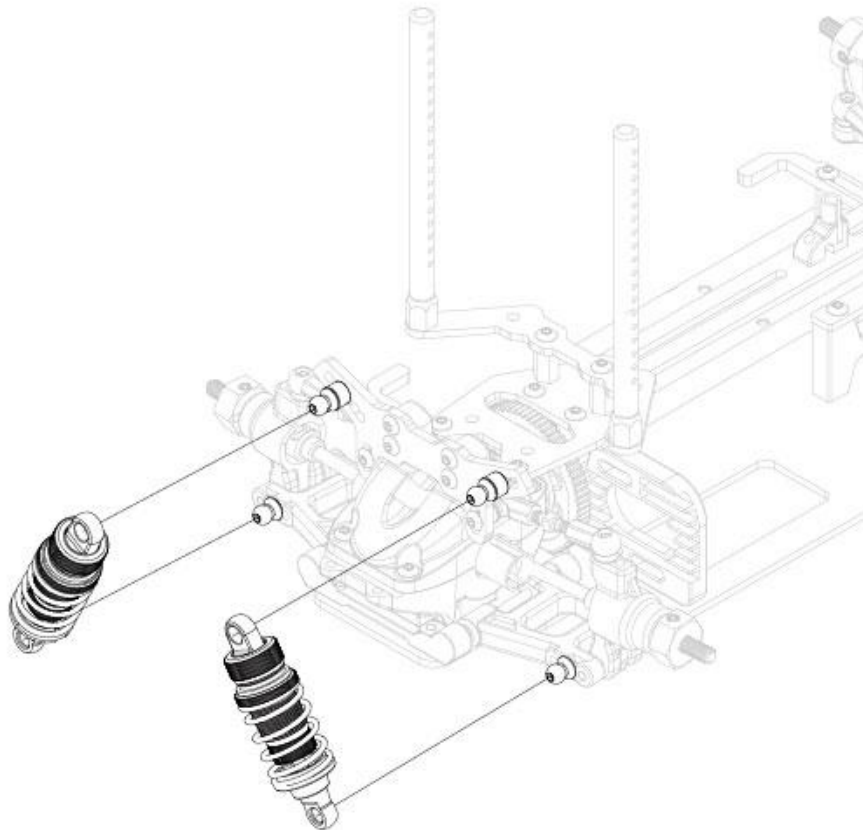
 X9  
NBA281  
M3x6mm



25



26



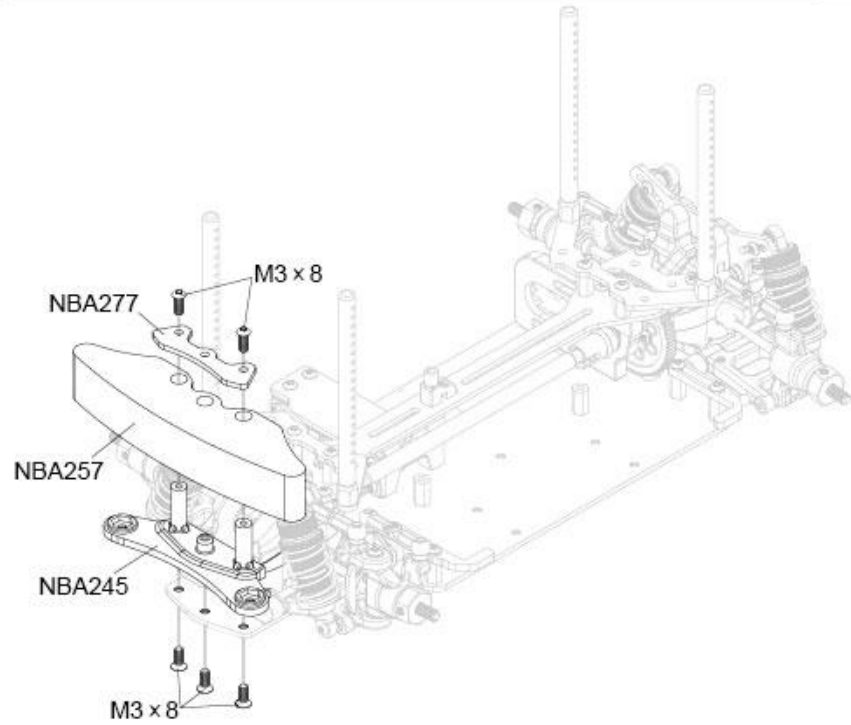
27

 X3

NBA280  
M3x8mm

 X2

NBA282  
M3x8mm



28

 X2

NBA283  
M3x10mm

 X2

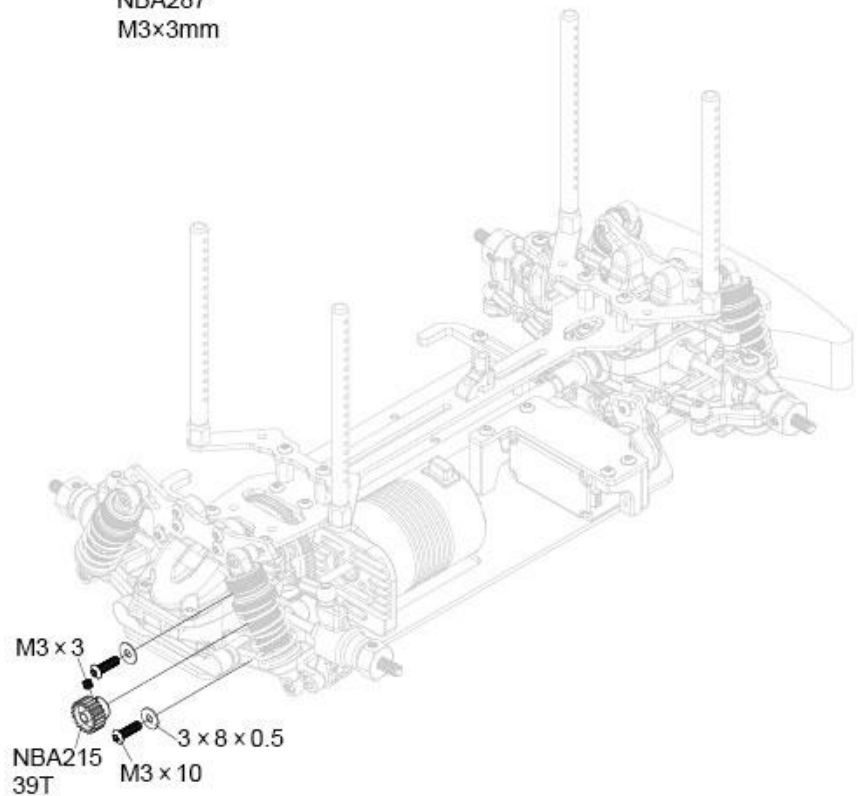
NBA302  
3x8x0.5

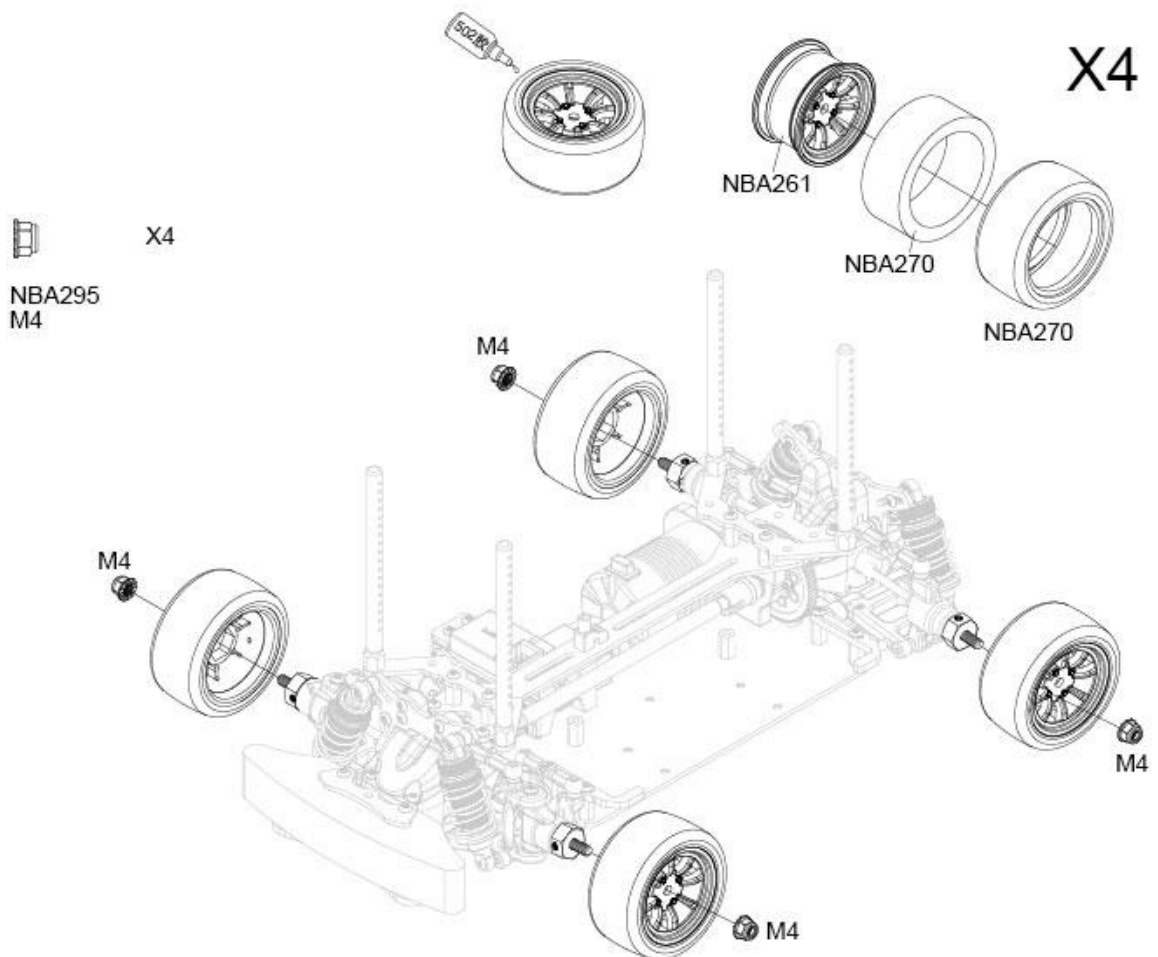
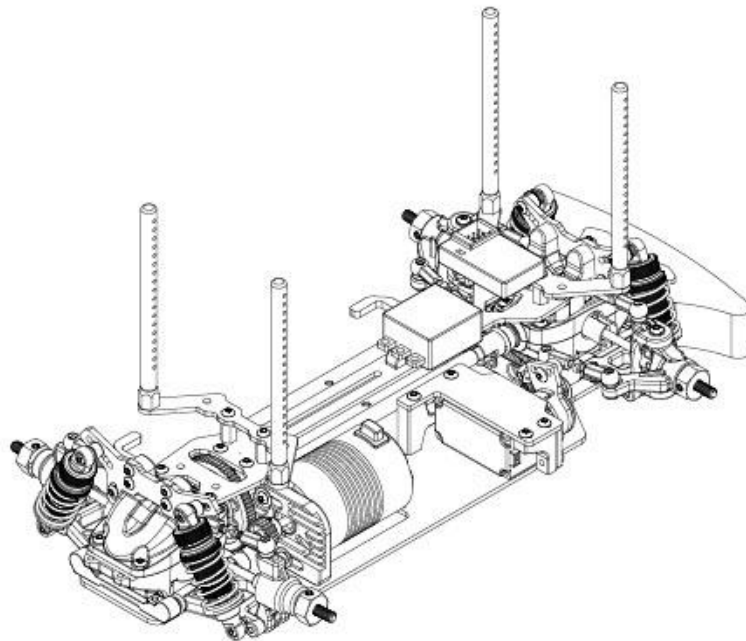
 X1

NBA287  
M3x3mm

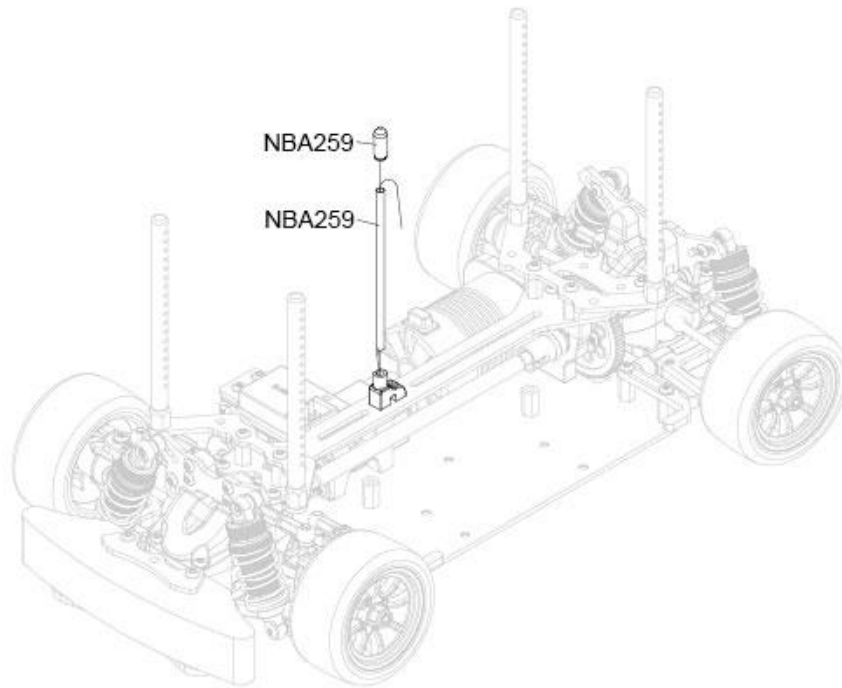
### M210 GEAR RATIO

SPUR GAER	BALL DIFF (40/17)	GEAR DIFF(42/17)
72	2.353	2.47
PINION GEAR	BALL DIFF GEAR RATIO	GERA DIFF GEAR RATIO
21	8.07	8.47
22	7.70	8.08
23	7.37	7.73
24	7.06	7.41
25	6.78	7.11
26	6.52	6.84
27	6.27	6.59
28	6.05	6.35
29	5.84	6.13
30	5.65	5.93
31	5.47	5.74
32	5.29	5.56
33	5.13	5.39
34	4.98	5.23
35	4.84	5.08
36	4.71	4.94
37	4.58	4.81
38	4.46	4.68
39	4.34	4.56
40	4.24	4.45
41	4.13	4.34
42	4.03	4.23
43	3.94	4.14
44	3.85	4.04

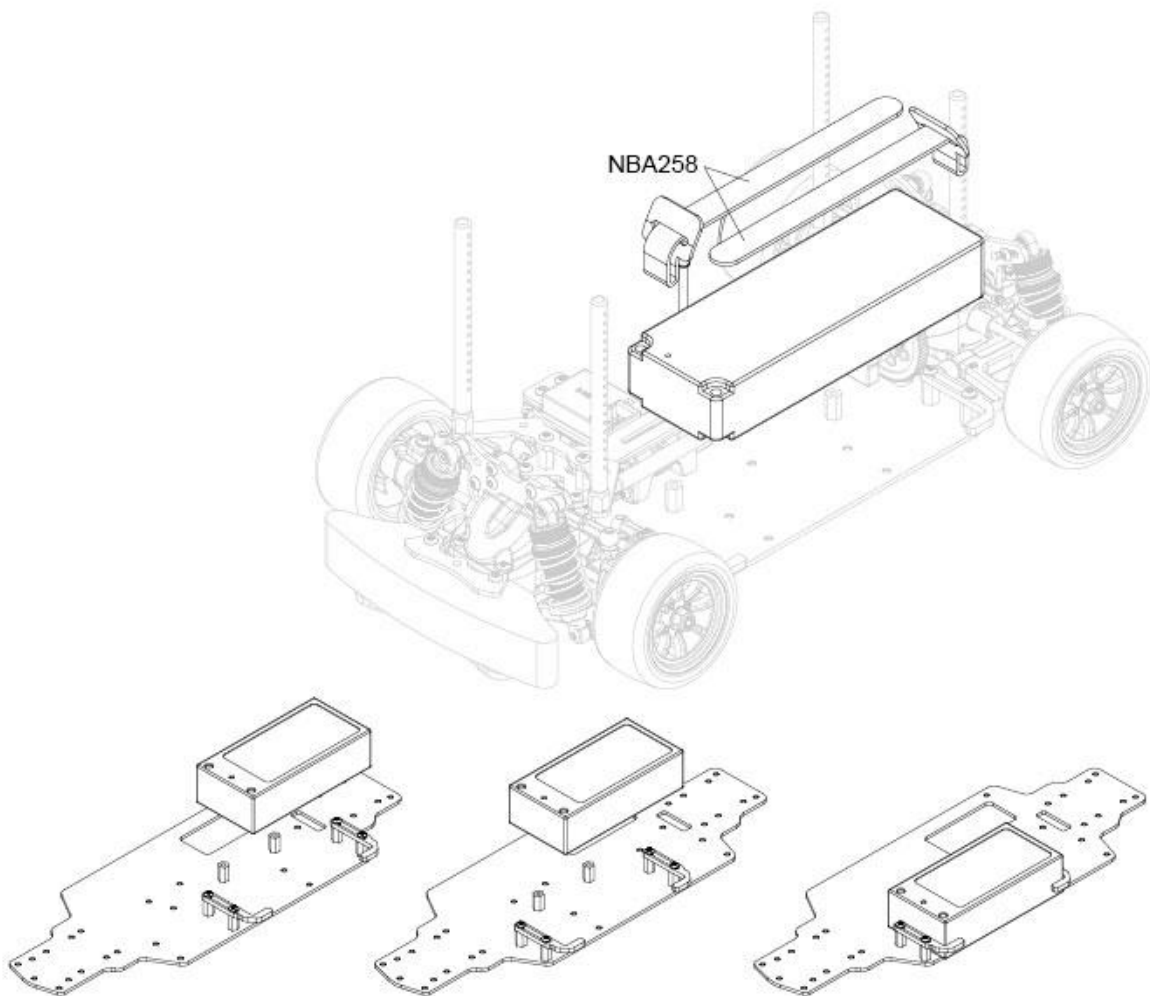




31



32



 X8

NBA305

 X2

NBA282  
M3x8mm

 X2

NBA294  
M3

 X2

NBA301  
3x6.5x0.5

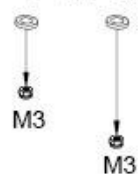
 X2

NA1001B004  
2.2x4.5x0.4

M3x8



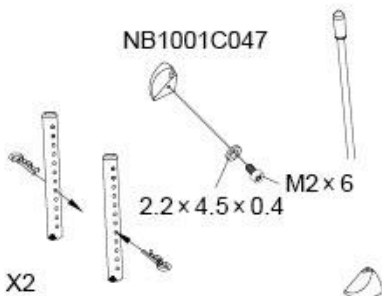
3x6.5x0.5



M3

M3

NB1001C047



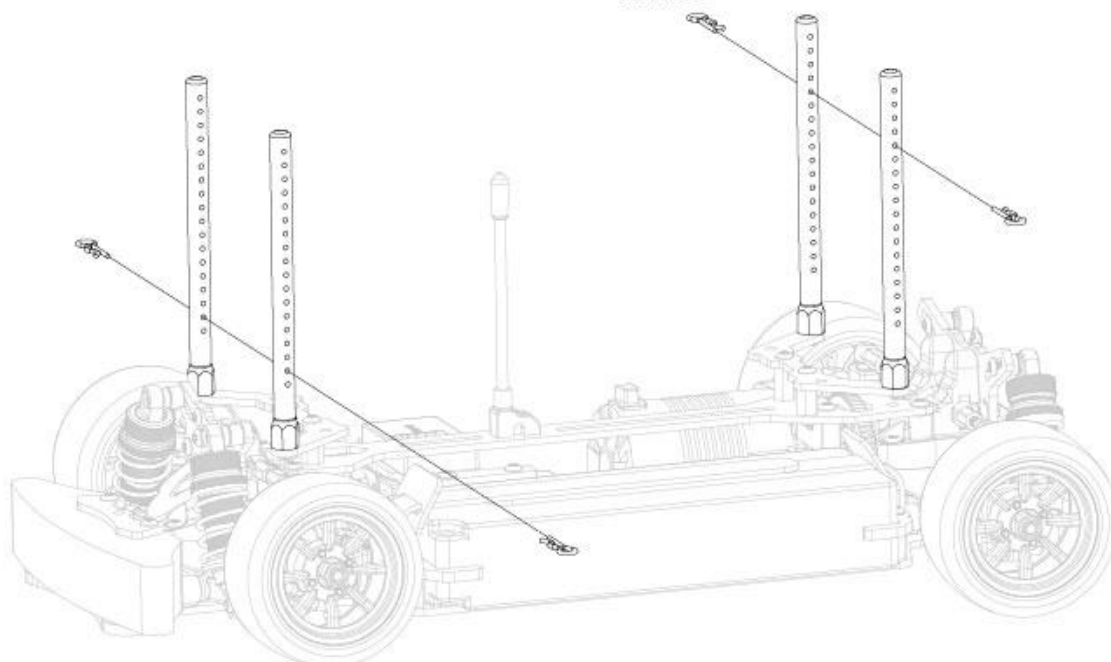
2.2x4.5x0.4

M2x6

 X2

ML1001B007  
M2x6

NBA305













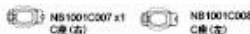



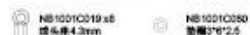










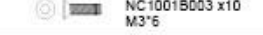
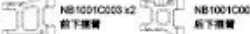



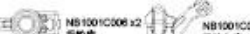
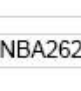

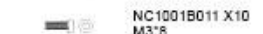



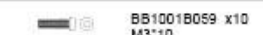



















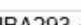
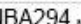
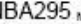
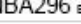
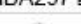






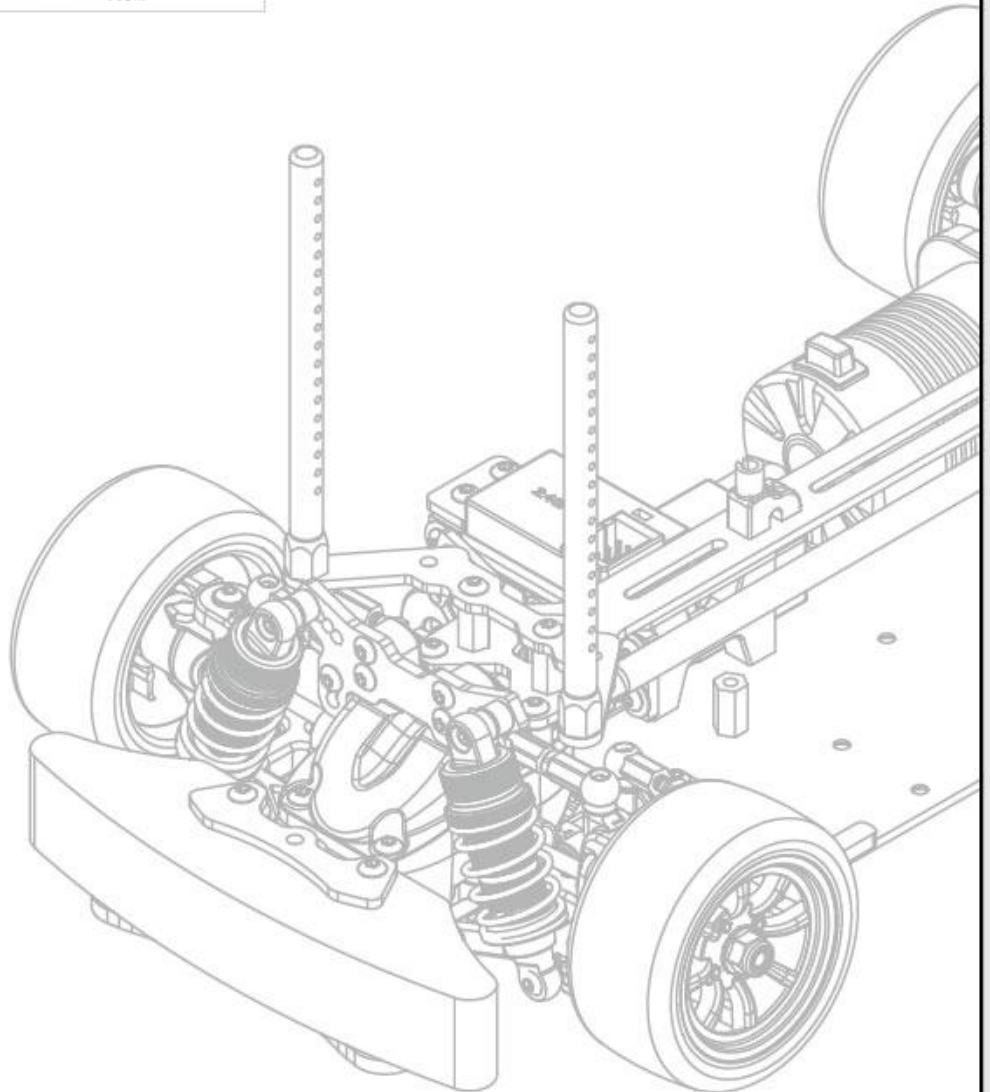


## 1/12 NBA101零件包明细

<b>NBA243</b> Ball Diff cup joint (Plastic)  <p>NB1001C230 x1 液体差速杯(左)</p> <p>NB1001C031 x1 液体差速杯(右)</p>	<b>NBA254</b> Servo Saver  <p>NC1001C085 x1 舵机保护罩23T</p> <p>NC1001C088 x1 舵机保护罩25T</p> <p>NC1001C088 x1 舵机保护罩主体</p> <p>NC1001C087 x1 舵机保护罩外面片</p> <p>NC1001B001 x2 C型弹簧(绿)</p> <p>NC1001B002 x1 C型弹簧(黑)</p>	<b>NBA263</b> 8 Spoke Wheel +4mm (Silver)  <p>WF1001C029 x4 1/12八爪轮芯-电镀雾银</p>	<b>NBA271</b> Main Chassis  <p>NB1001A081 x1 底板</p>
<b>NBA244</b> Ball Diff cup joint (Metal)  <p>NH1002A010 x1 液体差速杯(左)</p> <p>NH1002A011 x1 液体差速杯(右)</p>	<b>NBA255</b> Cup Joint  <p>NB1001A058 x3 销轴2.0*7.6</p> <p>BB1001D009 x2 O形圈5.6*9.6</p> <p>NB1001C014 x2 主传动轴接杯</p>	<b>NBA264</b> 8 Spoke Wheel +4mm (Gray)  <p>WF1001C028 x4 1/12八爪轮芯-灰色</p>	<b>NBA272</b> Upper Deck  <p>NB1001A082 x1 二楼板</p>
<b>NBA245</b> Front Bumper Hold And Body Mount  <p>NB1001C021 x1 天线座</p> <p>NB1001C080 x10 六角钉</p> <p>NB1001C015 x1 防撞海绵</p> <p>NB1001C018 x4 车壳钉</p>	<b>NBA256</b> Bumper For Sedan Body  <p>NB1001D008 x1 防撞海绵</p>	<b>NBA265</b> 8 Spoke Wheel +4mm (Black)  <p>WF1001C011 x4 1/12八爪轮芯-黑色</p>	<b>NBA274</b> Battery Holder  <p>NB1001A086 x2 电池固定架</p>
<b>NBA246</b> Front Hub Carrier L/R  <p>NB1001C007 x1 C座(左)</p> <p>NB1001C008 x1 C座(右)</p>	<b>NBA257</b> Bumper For Hatchback Body  <p>NB1001D017 x1 防撞海绵-小</p>	<b>NBA266</b> 10 Spoke Wheel +1mm (Silver)  <p>WF1001C026 x4 1/12MINI轮芯(电镀雾银十爪)</p>	<b>NBA276</b> Servo Plate  <p>NB1001A087 x1 舵机固定上板</p>
<b>NBA247</b> Ball End (4.8mm)  <p>NB1001C019 x8 球头棒4.8mm</p> <p>NB1001C020 x2 垫圈2*6*2.6</p>	<b>NBA258</b> Battery Strap  <p>NB1001D016 x2 电池固定绑带(魔术带)</p>	<b>NBA267</b> 10 Spoke Wheel +1mm (Gray)  <p>WF1001C007 x4 1/12MINI轮芯(黑色十爪)</p>	<b>NBA277</b> Bumper Plate (For Hatchback Body)  <p>NB1001A083 x1 前防撞板</p>
<b>NBA248</b> Suspension Mount Parts  <p>NB1001C044 x2 投影轴(0°)</p> <p>NB1001C043 x1 投影轴</p> <p>NB1001C042 x1 投影轴(2.5°)</p> <p>NB1001C045 x1 投影轴</p>	<b>NBA259</b> Antenna Pipe  <p>NB1001C049 x1 天线胶管(长150mm)</p> <p>NA1001E005 x1 天线管套</p>	<b>NBA268</b> 10 Spoke Wheel +4mm (Silver)  <p>WF1001C030 x4 1/12MINI轮芯(电镀雾银十爪)</p>	<b>NBA278</b> Bumper Plate (For Sedan Body)  <p>NB1001A022 x1</p>
<b>NBA249</b> Gear box  <p>NB1001C021 x2 齿轮箱上盖</p> <p>NB1001C002 x2 齿轮箱下盖</p>	<b>NBA260</b> 8 Spoke Wheel +1mm (Silver)  <p>WF1001C025 x4 1/12八爪轮芯-电镀雾银</p>	<b>NBA269</b> 10 Spoke Wheel +4mm (Gray)  <p>WF1001C012 x4 1/12MINI轮芯(黑色十爪)</p>	<b>NBA279</b> Screw Set- FH M3x5  <p>NC1001B003 x10 M3*5</p>
<b>NBA250</b> Arms Set (F and R)  <p>NB1001C003 x2 前下摆臂</p> <p>NB1001C004 x2 后下摆臂</p>	<b>NBA261</b> 8 Spoke Wheel +1mm (Gray)  <p>WF1001C027 x4 1/12八爪轮芯-灰色</p>	<b>NBA270</b> Tires  <p>NB1001D007 x4 海绵内衬</p> <p>NB1001D006 x4 胎皮</p>	<b>NBA281</b> Screw Set- BH M3x6  <p>BB1001B063 x10 M3*6</p>
<b>NBA251</b> Hub carrier  <p>NB1001C006 x2 前轮毂</p> <p>NB1001C009 x2 后轮毂</p>	<b>NBA262</b> 8 Spoke Wheel +1mm (Black)  <p>WF1001C001 x4 1/12八爪轮芯-黑色</p>	<b>NBA283</b> Screw Set- BH M3x10  <p>BB1001B059 x10 M3*10</p>	<b>NBA282</b> Screw Set- BH M3x8  <p>NC1001B011 x10 M3*8</p>
<b>NBA252</b> Spur Gear 72T  <p>NB1001C033 x1 主传动直齿轮72T</p>	<b>NBA271</b> Hex Hub (5MM)  <p>NH1001C178 x4 电镀六角轮轴</p> <p>NC1001A001 x4 #2*10</p>	<b>NBA284</b> Screw Set- BH M3x12  <p>BB1001B039 x10 M3*12</p>	<b>NBA283</b> Screw Set- BH M3x10  <p>BB1001B059 x10 M3*10</p>

## 1/12 NBA101零件包明细

<b>NBA285</b> Screw Set- BH M3x18  <b>BB1001B002 x10</b> M3*18	<b>NBA301</b> Washer(3*6.5*0.5mm)  <b>NC1001B009 x10</b> 垫片3*6.5*0.5	<b>NBA306</b> O-Ring  <b>BB1001D009 x10</b> O形圈5.8*9.6
<b>NBA286</b> Screw Set- FH M2x8  <b>BH1001B006 x10</b> M2*8	<b>NBA302</b> Washer(3*8*0.5mm)  <b>BB1001B037 x10</b> 3*8*0.5垫片	<b>NBA307</b> Washer(11*14*0.2mm)  <b>BH1001B005 x10</b> 垫片11*14*0.2
<b>NBA287</b> Set Screw M3x3  <b>BA1001B022 x10</b> M3*3	<b>NBA303</b> E-Clip  <b>NE1001B004 x5</b> 4.0E型扣	<b>NBA308</b> Differential(Plastic)  <b>NB100107 x2</b> 滚珠差速半成品 <b>NB1001C040 x1</b> 差速器治具
<b>NBA288</b> Set Screw M3x4  <b>NC1001B019 x10</b> M3*4	<b>NBA304</b> Pin2X10  <b>NC1001A001 x10</b> φ2*10	
<b>NBA289</b> Set Screw M3x8  <b>NA1001B015 x10</b> M3*8	<b>NBA305</b> Body pinS  <b>NC1001A002 x12</b> 车壳销	
<b>NBA290</b> Set Screw M3x10  <b>NC1001B004 x4</b> M3*10机米螺丝		
<b>NBA291</b> Set Screw M3x12  <b>BA1001B021 x10</b> M3*12机米螺丝		
<b>NBA292</b> Set Screw M3x18  <b>ML1001B004 x10</b> M3*18机米螺丝		
<b>NBA293</b> Set Screw M3x20  <b>BA1001B078 x10</b> M3*20机米螺丝		
<b>NBA294</b> M3 Nut  <b>NC1001B016 x10</b> M3		
<b>NBA295</b> M4 Nut  <b>NB1001B011 x4</b> M4带抽吸花螺母		
<b>NBA296</b> Bearing 3x6x2.5  <b>ML1001B001 x4</b> 轴承3*6*2.5		
<b>NBA297</b> Bearing 5*8*2.5  <b>BA1001B009 x2</b> 轴承5*8*2.5		
<b>NBA298</b> Bearing 5x10x4  <b>BA1001B007 x8</b> 轴承5*10*4		
<b>NBA299</b> Bearing 10x15x4  <b>NB1001B003 x4</b> 轴承10*15*4		
<b>NBA300</b> Spacer Set 3x6x2.5  <b>NB1001C041 x4</b> 3.0*6.0*2.5(POM)		



The image features a light gray background with several parallel diagonal lines in various shades of gray, creating a sense of motion and depth. The word "CARTEN" is prominently displayed in the center, rendered in a bold, white, sans-serif font with a slight 3D effect. The text is tilted to follow the angle of the diagonal lines. The overall aesthetic is clean, modern, and minimalist.

**CARTEN**